

500-052
Micro-D Jackpost Kit
 for Micro-D Rear Mount Connectors



MIL-DTL-83513
 Micro-D

HOW TO ORDER

Series- Basic Part Number	Shell Size (Table I)	Dash No. (Table II)
500-052	2 – 09-51 4 – 100	
Sample Part Number:		
500-052	— 2	— 3
SEE PAGE C-4 FOR STANDARD MATERIALS INFORMATION		

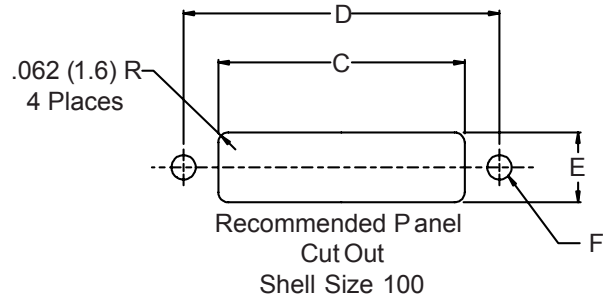
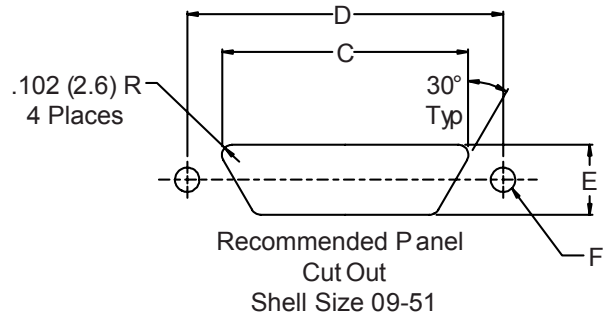
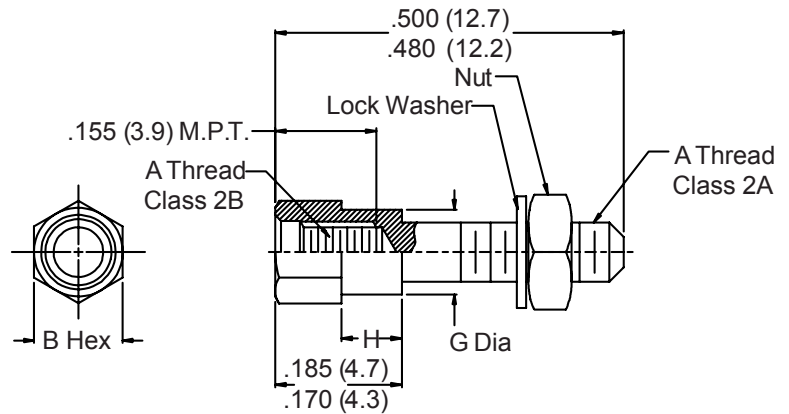


TABLE II: PANEL THICKNESS

DASH NO	Panel Thickness	H ±.005 (0.1)	Ref. Conn. Designator
2	1/32	.024 (0.6)	R1
3	3/64	.041 (1.0)	R2
4	1/16	.055 (1.4)	R3
5	3/32	.086 (2.2)	R4
6	1/8	.117 (3.0)	R5

TABLE I: DIMENSIONS

SHELL SIZE	SHELL SIZE	A Thread	B Hex Size	C ±.005 (0.1)	D ±.005 (0.1)	E ±.005 (0.1)	F	G ±.003 (0.1)
2	09	2-56 UNC	.156 (4.0)	.406 (10.3)	.565 (14.4)	.256 (6.5)	.130/.125 (3.3/3.2)	.119 (3.0)
	15	2-56 UNC	.156 (4.0)	.556 (14.1)	.715 (18.2)	.256 (6.5)	.130/.125 (3.3/3.2)	.119 (3.0)
	21	2-56 UNC	.156 (4.0)	.706 (17.9)	.865 (22.0)	.256 (6.5)	.130/.125 (3.3/3.2)	.119 (3.0)
	25	2-56 UNC	.156 (4.0)	.806 (20.5)	.965 (24.3)	.256 (6.5)	.130/.125 (3.3/3.2)	.119 (3.0)
	31	2-56 UNC	.156 (4.0)	.956 (24.3)	1.115 (28.3)	.256 (6.5)	.130/.125 (3.3/3.2)	.119 (3.0)
4	37	2-56 UNC	.156 (4.0)	1.106 (28.1)	1.265 (32.1)	.256 (6.5)	.130/.125 (3.3/3.2)	.119 (3.0)
	51	2-56 UNC	.156 (4.0)	1.056 (26.8)	1.215 (30.9)	.300 (7.6)	.130/.125 (3.3/3.2)	.119 (3.0)
	100	4-40 UNC	.187 (4.7)	1.520 (38.6)	1.800 (45.7)	.406 (10.3)	.151/.146 (3.8/3.7)	.140 (3.6)

Metric dimensions (mm) are indicated in parentheses

X-ON Electronics

Largest Supplier of Electrical and Electronic Components

Click to view similar products for [Accessories for Robotics and RC](#) category:

Click to view products by [Glenair](#) manufacturer:

Other Similar products are found below :

[56T705](#) [015-9516-002](#) [01.001.6453.0](#) [641763-8](#) [CW106-01X](#) [CW30101A](#) [CW31701A](#) [D2041839](#) [70.352.0628.0](#) [73.353.4028.1](#) [FB22001A](#)
[FB30601A](#) [9009030000](#) [9501](#) [121587-0026](#) [1218510-1](#) [1218629-4](#) [1218630-4](#) [1261000A00M001](#) [128-26-5](#) [RFI77-14](#) [1367251-2](#) [14](#) [1-](#)
[449604-1](#) [1460g4](#) [1470g4](#) [DV0PM20034](#) [MS27488-16-1](#) [MS3057-12A W/B](#) [MS3057-8A-624](#) [MS600-2-XP-1A](#) [MS-602-GEE-14-07C](#)
[MS603-12-01A](#) [MS90376-14R](#) [MS90376-16RB](#) [MTB1-11PH3](#) [1676610000](#) [1A9224 REV A](#) [210-115](#) [CA20L22](#) [2227383-1](#) [225-0090-000](#)
[225-0098-000](#) [KA-89-82](#) [CB20201X](#) [KC-89-104](#) [CB30601A](#) [CB31201A](#) [236-600](#) [CBC120210-752](#)