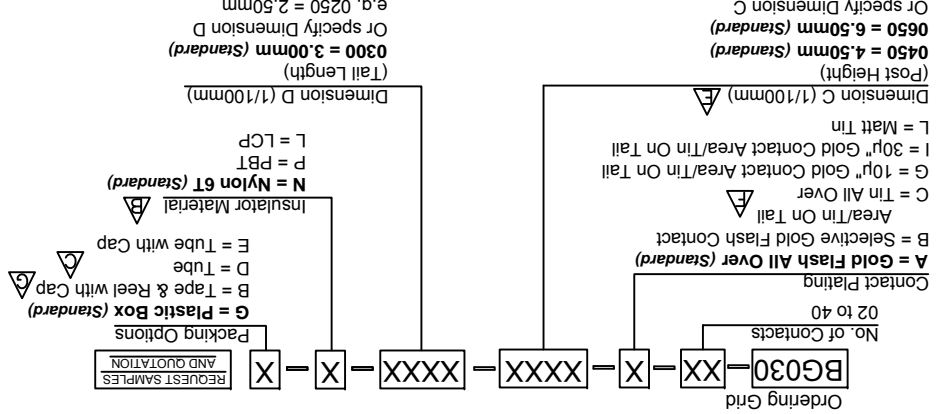


SPECIFICATIONS 规格
 CURRENT RATING 电流额定值: 3 Amp
 INSULATION RESISTANCE 绝缘电阻值: 1000 MΩ min.
 DIELECTRIC WITHSTANDING 耐电压: 600V AC
 CONTACT RESISTANCE 接触电阻值: 20mΩ MAX.
 OPERATING TEMPERATURE 工作温度: -40°C TO +105°C
 CONTACT MATERIAL 端子物料: COPPER ALLOY
 INSULATOR MATERIAL 绝缘体物料:
 STANDARD 标准物料: POLYAMIDE 聚酰胺, NYLON 6T, UL 94V-0
 OPTIONS 可选物料: POLYESTER 聚酯, LCP, UL 94V-0
 OR POLYESTER 聚酯, PBT, UL94-V0
 NYLON 6T (STANDARD 标准物料) -
 IR REFLOW 回流焊: 260°C for 10 sec.
 WAVE 波峰焊: 230°C for 5-10 sec.
 MANUAL SOLDER 人工焊接: 330°C for 3-5 sec.
 PBT (OPTION 可选物料) - MANUAL SOLDER 人工焊接: 330°C for 3-5 sec.
 (NOT SUITABLE FOR HI-TEMP PROCESS 不适合高温处理)
 LCP (OPTION 可选物料) -
 IR REFLOW 回流焊: 260°C for 10 sec. Δ
 WAVE 波峰焊: 250°C for 5-10 sec.
 MANUAL SOLDER 人工焊接: 350°C for 3-5 sec. Δ
 MATES WITH 配套之母座 (SUBJECT TO PIN LENGTH 在端子长度适合的条件下):
 BG205
 BG115
 BG090
 BG095
 BG125
 BG130
 BG096
 BG100
 BG135
 BG145



DIMENSIONS		CONTACTS	
A	B	A	B
2	2.54	2	5.08
3	7.62	3	5.08
4	10.16	4	7.62
5	12.70	5	10.16
6	15.24	6	12.70
7	17.78	7	15.24
8	20.32	8	17.78
9	22.86	9	20.32
10	25.40	10	22.86
11	27.94	11	25.40
12	30.48	12	27.94
13	33.02	13	30.48
14	35.56	14	33.02
15	38.10	15	35.56
16	40.64	16	38.10
17	43.18	17	40.64
18	45.72	18	43.18
19	48.26	19	45.72
20	50.80	20	48.26
21	53.34	21	50.80
22	55.88	22	53.34
23	58.42	23	55.88
24	60.96	24	58.42
25	63.50	25	60.96
26	66.04	26	63.50
27	68.58	27	66.04
28	71.12	28	68.58
29	73.66	29	71.12
30	76.20	30	73.66
31	78.74	31	76.20
32	81.28	32	78.74
33	83.82	33	81.28
34	86.36	34	83.82
35	88.90	35	86.36
36	91.44	36	88.90
37	93.98	37	91.44
38	96.52	38	93.98
39	99.06	39	96.52
40	101.60	40	99.06

By	REV	DATE
LYH	A	01/11/06
PN	B	12/03/09
CB	C	27/04/09
DR	D	05/08/09
ASE	E	08/12/09
ASE	F	04/05/12
ASE	G	19/02/13



Tolerances	Dimensions in mm
X ± 0.30	X ± 0.20
X ± 0.20	XX ± 0.15
X ± 0.15	XXX ± 0.10
XXX ± 0.10	

Part Number:-	Date:-
BG030	01 NOV 06



Sheet No.	E & OE	1/1
8	LYH	
7	See Note	
6	Revision	
5	Scale	
4	NTS	
3	G	
2	Revision	
1	Material	
0	See Note	
8	Drawn by	
7	LYH	
6	E & OE	
5	1/1	

THIS DRAWING IS CONFIDENTIAL AND MUST NOT BE COPIED OR DISCLOSED WITHOUT WRITTEN CONSENT
 2.54mm PITCH PIN HEADER, SINGLE ROW, THROUGH-HOLE, VERTICAL
 Description:-
 BG030
 01 NOV 06

X-ON Electronics

Largest Supplier of Electrical and Electronic Components

Click to view similar products for [FFC & FPC Connectors](#) category:

Click to view products by [GCT](#) manufacturer:

Other Similar products are found below :

[HFW11R-1STE1H1LF](#) [FH29B-100S-0.2SHW\(99\)](#) [FA5S008HP1](#) [FH29B-120S-0.2SHW\(99\)](#) [FH29B-80S-0.2SHW\(99\)](#) [FHS-16](#) [FPH-2022G](#)
[52610-1075](#) [52610-1275](#) [52610-1934](#) [XF3M\(1\)-1415-1B-R100](#) [501864-3091-TR225](#) [0525594033](#) [086210010340800](#) [086222026001800](#)
[52271-2869-CUT-TAPE](#) [62674-201121DLF](#) [62684-36210E9ALF](#) [52610-1675](#) [52746-1671-TR250](#) [10051922-2810EHLF](#) [6-520415-9](#)
[BD021-09A-A1-0350-0200-0550-LD](#) [SFV6R-1STE9HLF](#) [XF3M-2915-1B-R100](#) [1658549-1](#) [62674-221121ALF](#) [46214008010800](#)
[046298003000883](#) [151660622](#) [842-816-2630-035](#) [AYF530665TA](#) [AYF351525](#) [046296011930846+](#) [AYF352325A](#) [046254020000800+](#)
[FH19C-13S-0.5SH\(99\)](#) [FH39J-51S-0.3SHW\(99\)](#) [AYF355125A](#) [AYF530365TA](#) [FH29B-44S-0.2SHW\(99\)](#) [SFW5R-2STAE9LF](#) [AYF351125A](#)
[AYF350725A](#) [62684-502100AHLF](#) [FH39-61S-0.3SHW\(99\)](#) [AYF414035A](#) [10064555-172520HLF](#) [AYF212335A](#) [504754-2500](#)