

| | |
|-------------------|------------------|
| REV | DATE |
| A | 30/10/06 |
| B | 27/04/09 |
| C | 05/08/09 |
| By | LTH |
| DR | CB |
| DETAIL | RELEASE |
| PACKING OPTIONS | CHANGE TO SOLDER |
| TEMP. INFORMATION | |

BG070 BG085
 BG025 BG040 BG045 BG050 BG065

MATES WITH 配裝之母座 (SUBJECT TO PIN LENGTH 在端子長度適合的條件下):
 MANUAL SOLDER 人工焊接: 350°C for 3-5 sec
 WAVE 波峰焊: 250°C for 5-10 sec.
 IR REFLOW 回流焊: 260°C for 10 sec.

LCP (OPTION 可選物料) -
 MANUAL SOLDER 人工焊接: 350°C for 3-5 sec
 WAVE 波峰焊: 230°C for 5-10 sec.
 IR REFLOW 回流焊: 260°C for 10 sec.

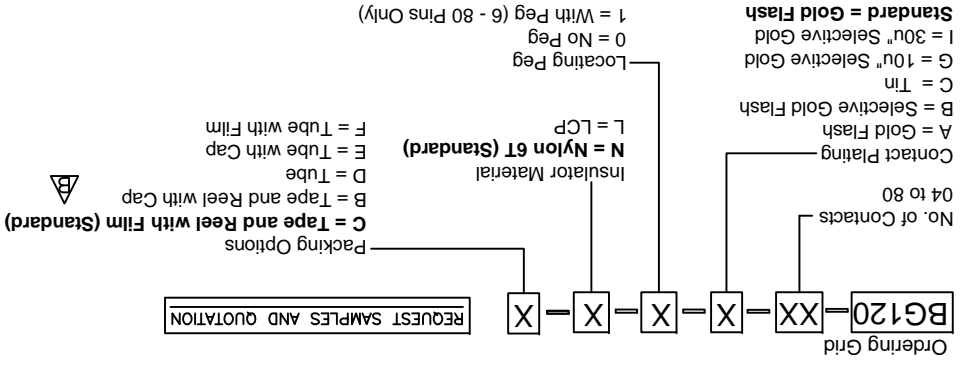
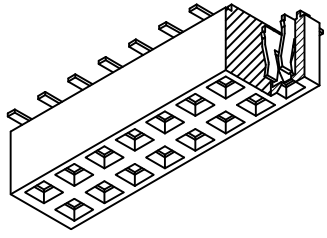
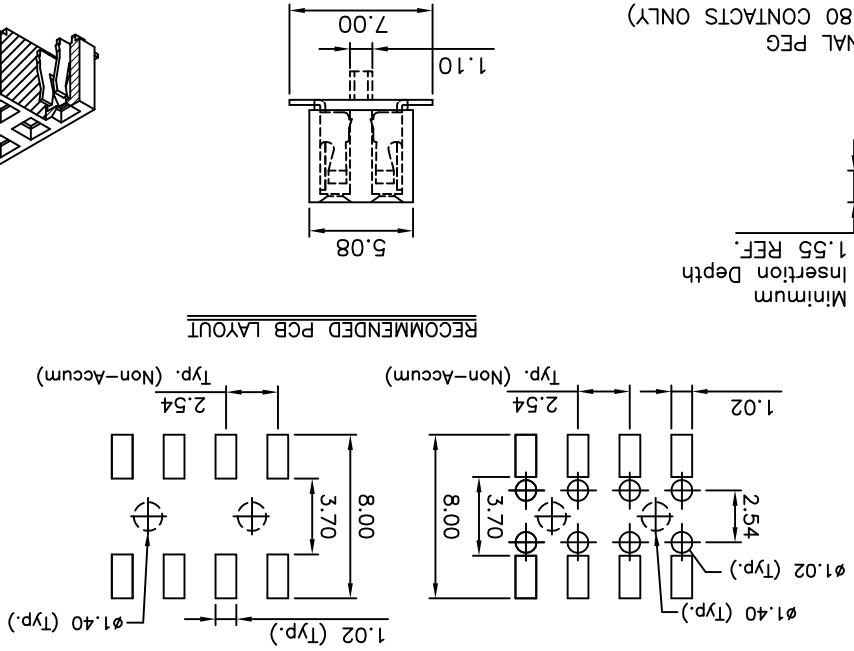
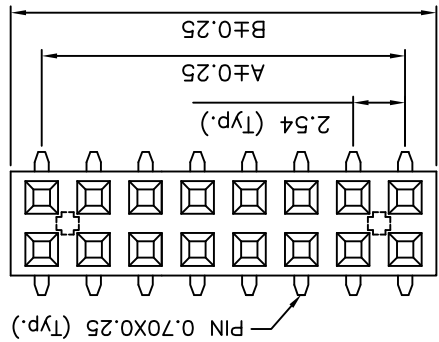
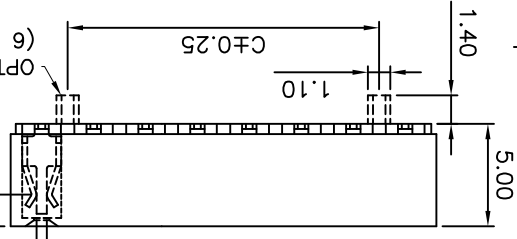
NYLON 6T (STANDARD 標準物料) -
 SOLDERING PROCESS 可焊性:
 OPTIONS 可選物料: POLYESTER 聚酯, LCP, UL 94-V0

STANDARD 標準物料: POLYAMIDE 聚醯胺, NYLON 6T, UL 94-V0
 INSULATOR MATERIAL 絕緣體物料:
 CONTACT MATERIAL 端子物料: PHOSPHOR BRONZE

OPERATING TEMPERATURE 工作溫度: -40°C TO +150°C
 DIELECTRIC WITHSTANDING 耐電壓: 600V AC/DC
 CONTACT RESISTANCE 接觸電阻值: 20M OHMS MAX

INSULATOR RESISTANCE 絕緣電阻值: 1000 MEGOHMS MIN
 CURRENT RATING 電流額定值: 3 AMP

SPECIFICATIONS 規格



| | |
|----------------------------------|------------------|
| Tolerances (Excepts as noted) | Dimensions in mm |
| X ± 0.30 | X ± 0.50 |
| X ± 0.20 | X ± 0.25 |
| XX ± 0.15 | XX ± 0.5 |
| XXX ± 0.10 | XXX ± 0.5 |
| Third Angle Projection | |



THIS DRAWING IS CONFIDENTIAL AND MUST NOT BE COPIED OR DISCLOSED WITHOUT WRITTEN CONSENT
 SURFACE MOUNT, VERTICAL, DUAL ENTRY

| CONTACTS | A | B | C |
|----------|-------|--------|-------|
| 4 | 2.54 | 5.58 | N/A |
| 6 | 5.08 | 8.12 | 2.54 |
| 8 | 7.62 | 10.66 | 5.08 |
| 10 | 10.16 | 13.20 | 7.62 |
| 12 | 12.70 | 15.74 | 10.16 |
| 14 | 15.24 | 18.28 | 12.70 |
| 16 | 17.78 | 20.82 | 15.24 |
| 18 | 20.32 | 23.36 | 17.78 |
| 20 | 22.86 | 25.90 | 20.32 |
| 22 | 25.40 | 28.44 | 22.86 |
| 24 | 27.94 | 30.98 | 25.40 |
| 26 | 30.48 | 33.52 | 27.94 |
| 28 | 33.02 | 36.06 | 30.48 |
| 30 | 35.56 | 38.60 | 33.02 |
| 32 | 38.10 | 41.14 | 35.56 |
| 34 | 40.64 | 43.68 | 38.10 |
| 36 | 43.18 | 46.22 | 40.64 |
| 38 | 45.72 | 48.76 | 43.18 |
| 40 | 48.26 | 51.30 | 45.72 |
| 42 | 50.80 | 53.84 | 48.26 |
| 44 | 53.34 | 56.38 | 50.80 |
| 46 | 55.88 | 58.92 | 53.34 |
| 48 | 58.42 | 61.46 | 55.88 |
| 50 | 60.96 | 64.00 | 58.42 |
| 52 | 63.50 | 66.54 | 60.96 |
| 54 | 66.04 | 69.08 | 63.50 |
| 56 | 68.58 | 71.62 | 66.04 |
| 58 | 71.12 | 74.16 | 68.58 |
| 60 | 73.66 | 76.70 | 71.12 |
| 62 | 76.20 | 79.24 | 73.66 |
| 64 | 78.74 | 81.78 | 76.20 |
| 66 | 81.28 | 84.32 | 78.74 |
| 68 | 83.82 | 86.86 | 81.28 |
| 70 | 86.36 | 89.40 | 83.82 |
| 72 | 88.90 | 91.94 | 86.36 |
| 74 | 91.44 | 94.48 | 88.90 |
| 76 | 93.98 | 97.02 | 91.44 |
| 78 | 96.52 | 99.56 | 93.98 |
| 80 | 99.06 | 102.10 | 96.52 |

| DIMENSIONS | |
|------------|---|
| A | B |
| C | |

| | |
|---------------|--|
| Part Number:- | BG120 |
| Date:- | 30 OCT 06 |
| Description:- | 2.54mm PITCH SOCKET, DUAL ROW, SURFACE MOUNT, VERTICAL, DUAL ENTRY |
| Scale | NTS |
| Revision | C |
| See Note | Material |
| Drawn by | LTH |
| E & OE | 1/1 |

GCT

For bottom entry applications, stringent soldering control & pin alignment are required as lead to pad misalignment could cause incorrect mating.

www.globalconnectortechnology.com

X-ON Electronics

Largest Supplier of Electrical and Electronic Components

Click to view similar products for [FFC & FPC Connectors](#) category:

Click to view products by [GCT](#) manufacturer:

Other Similar products are found below :

[HFW11R-1STE1H1LF](#) [FH29B-100S-0.2SHW\(99\)](#) [FA5S008HP1](#) [FH29B-120S-0.2SHW\(99\)](#) [FH29B-80S-0.2SHW\(99\)](#) [FHS-16](#) [FPH-2022G](#)
[52610-1075](#) [52610-1275](#) [52610-1934](#) [XF3M\(1\)-1415-1B-R100](#) [501864-3091-TR225](#) [0525594033](#) [086210010340800](#) [086222026001800](#)
[52271-2869-CUT-TAPE](#) [62674-201121DLF](#) [62684-36210E9ALF](#) [52610-1675](#) [52746-1671-TR250](#) [10051922-2810EHLF](#) [6-520415-9](#)
[BD021-09A-A1-0350-0200-0550-LD](#) [SFV6R-1STE9HLF](#) [XF3M-2915-1B-R100](#) [1658549-1](#) [62674-221121ALF](#) [46214008010800](#)
[046298003000883](#) [151660622](#) [842-816-2630-035](#) [AYF530665TA](#) [AYF351525](#) [046296011930846+](#) [AYF352325A](#) [046254020000800+](#)
[FH19C-13S-0.5SH\(99\)](#) [FH39J-51S-0.3SHW\(99\)](#) [AYF355125A](#) [AYF530365TA](#) [FH29B-44S-0.2SHW\(99\)](#) [SFW5R-2STAE9LF](#) [AYF351125A](#)
[AYF350725A](#) [62684-502100AHLF](#) [FH39-61S-0.3SHW\(99\)](#) [AYF414035A](#) [10064555-172520HLF](#) [AYF212335A](#) [504754-2500](#)