

Corstat Stacking Totes

Standard footprint Corstat Coated Tote Boxes



Corstat Stacking Tote Bins

Corstat Stacking Tote Bins are manufactured from Corstat Conductive Fibreboard and are available from stock, in a range of sizes.

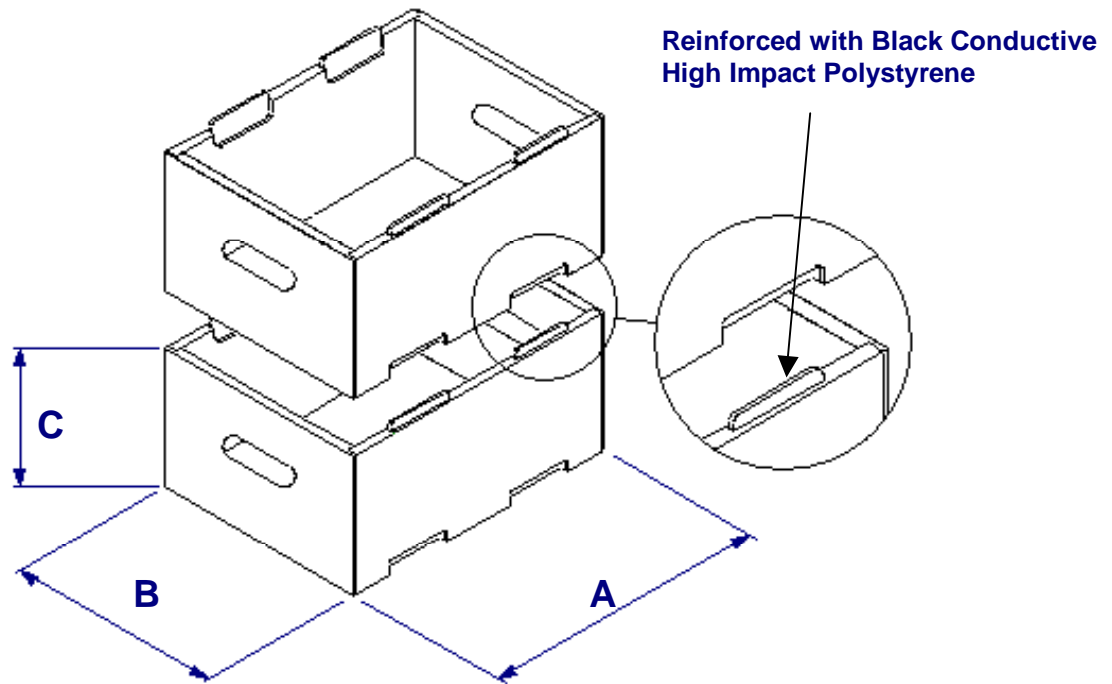
The tote bins are a flexible solution for in plant component handling and storage.

They can be fitted with stock divisions to specifically suit your application. Offering a light weight, cost effective alternative to conventional injected moulded products, whilst offering complete static protection



Corstat Stacking Totes

Standard footprint Corstat Coated Tote Boxes



Part Number	Dimension A		Dimension B		Dimension C	
	External	Internal	External	Internal	External	Internal
5000-643	600	572	400	372	300	291
5000-642	600	572	400	372	220	211
5000-641	600	572	400	372	120	111
5000-640	600	584	400	384	58	55
5000-433	400	372	300	272	300	291
5000-432	400	372	300	272	220	211
5000-431	400	372	300	272	120	111

Lids	
Part Number	Internal Dimensions
5000-64	600 x 400 x 50
5000-43	400 x 300 x 50



All dimensions are in mm unless otherwise stated



X-ON Electronics

Largest Supplier of Electrical and Electronic Components

Click to view similar products for [corstat](#) manufacturer:

Other Similar products are found below :

[CH-60](#) [3190-4](#) [3610-12](#) [CB-3](#) [3500-10](#) [3180-3](#)