

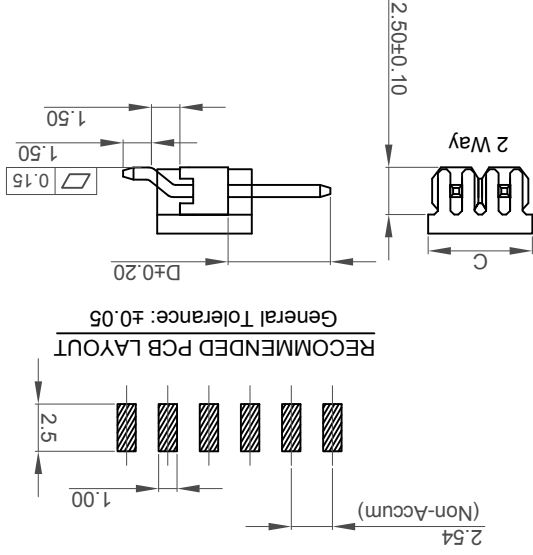
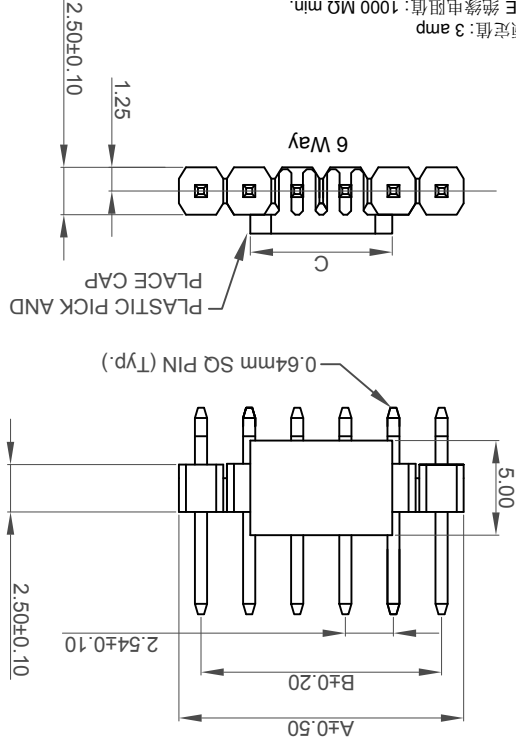
Standard black version BG301 is BG080  
BG301的标准黑色塑胶版本为料号为BG080

NOTES备注:

- BG300 - Horizontal mating - Choose 5.4mm header pin length
- BG300 - 水平交配 - 选择 5.4mm 的引脚长度
- BG306 - Perpendicular mating - Choose 4.0mm header pin length - Higher MOQ may apply
- BG306 - 垂直交配 - 选择 4.0mm 的引脚长度 - 更高MOQ可能申请

MANUAL SOLDER 人工焊接: 350°C for 3-5 sec  
IR REFLOW 回流焊: 260°C for 10 sec.

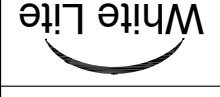
SOLDERING PROCESS 可焊性:  
INSULATOR MATERIAL 绝缘体物料: POLYESTER 聚酯, LCP 30% GLASS FILLED,  
NATURAL, UL94V-0  
CONTACT MATERIAL 端子物料: COPPER ALLOY  
OPERATING TEMPERATURE 工作温度: -40°C TO +105°C  
DIELECTRIC WITHSTANDING 耐压: 500V AC  
CONTACT RESISTANCE 接触电阻值: 20 mΩ max.  
INSULATION RESISTANCE 绝缘电阻值: 1000 MΩ min.  
CURRENT RATING 电流额定值: 3 amp  
SPECIFICATIONS 规格



Ordering Grid  
BG301-XX-X-XXXX-L-B  
Request Samples and Quotation

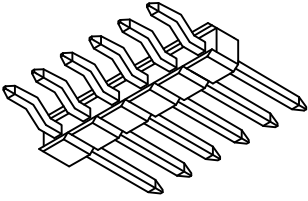
No. of Contacts: 02 to 06  
Contact Plating: A = Gold Flash All Over (Other plating options available on request)  
Insulator Material: L = LCP (Natural)  
Packing Options: B = Tape and Reel with Cap (check with GCT for MOQ on 4.0mm post length)  
MOQ 1,000 pcs on 5.4mm post length  
Dimension D - Post Length: 0400 = 4.00mm (Standard when mating with BG306)  
0540 = 5.40mm (Standard when mating with BG306)  
or Specify Custom Post Length  
eg 0250 = 2.50mm

Part Number	BG301	
Drawing Date	7th December 2011	
Product Description	2.54mm Pitch Pin Header, Single Row, Surface Mount, Horizontal, without Locating Peg, Natural LCP	
Revision	C1	Date: 16/12/14
Detail	X.X ± 0.30	
By	AJO	Tolerances (Except as Noted)
Length	Metric (mm)	
Angle	Units:	
Metric (mm)	Units:	
3rd Angle Projection	Units:	
ROHS COMPLIANT 2011/REACH	This drawing is confidential and copyright of Global Connector Technology, Ltd (GCT). This drawing must not be copied or disclosed without written consent. E & OE	
Not to Scale	Drawn By	CM
Sheet No.	1/2	

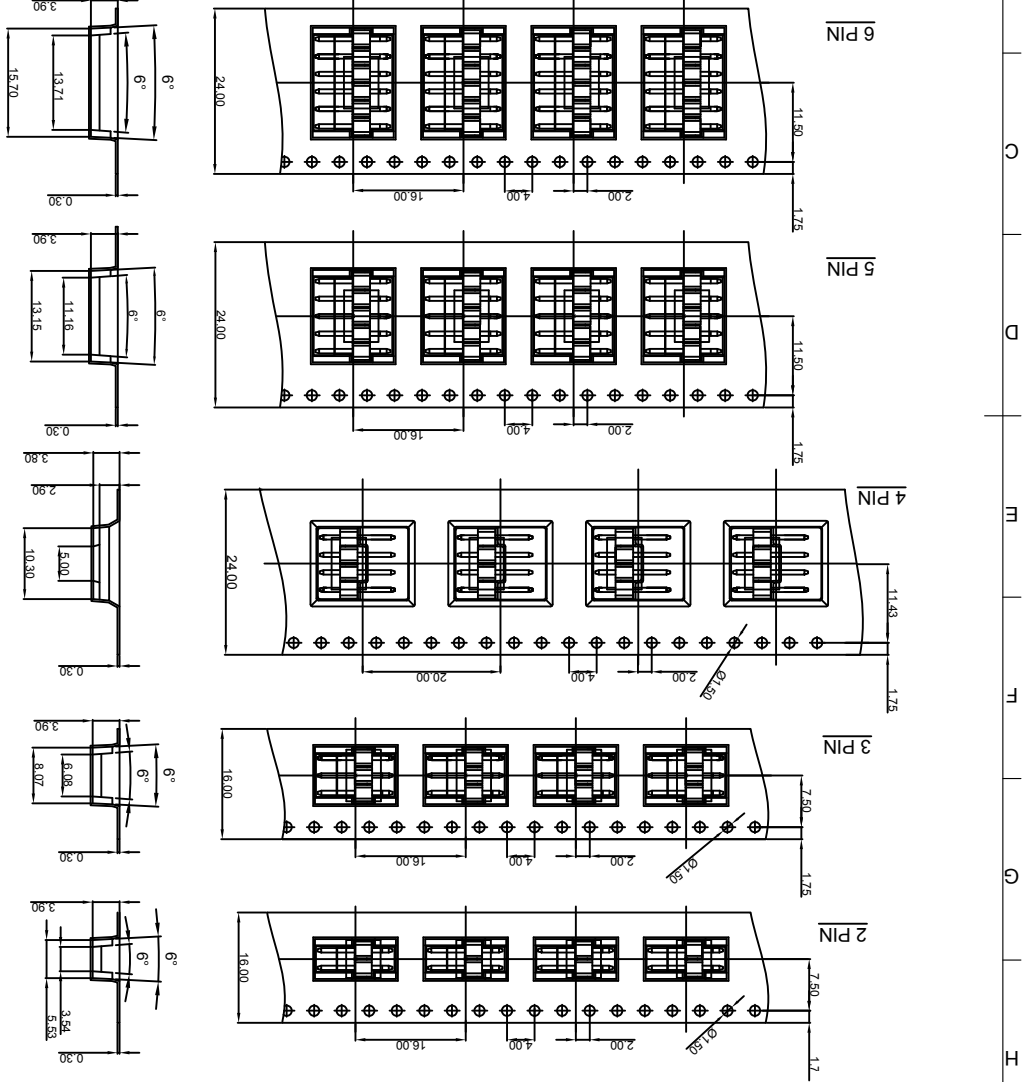


Global Connector Technology  
www.gct.co

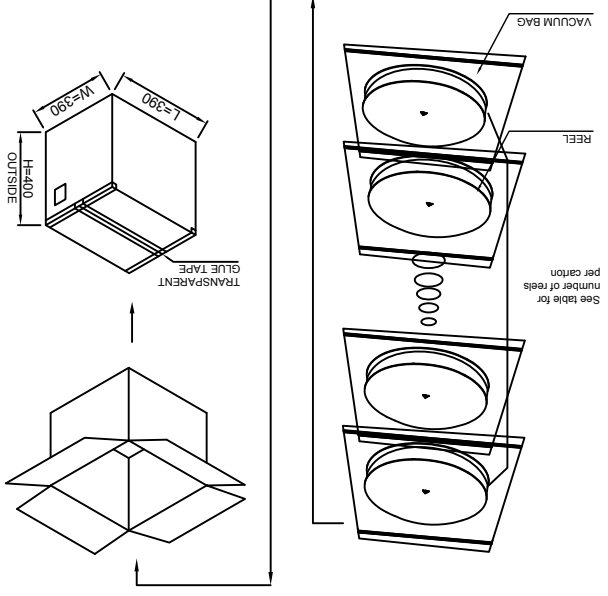
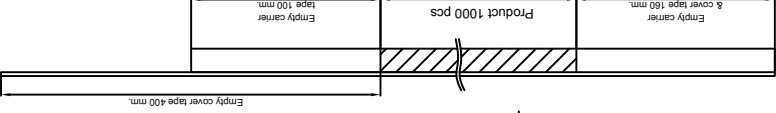
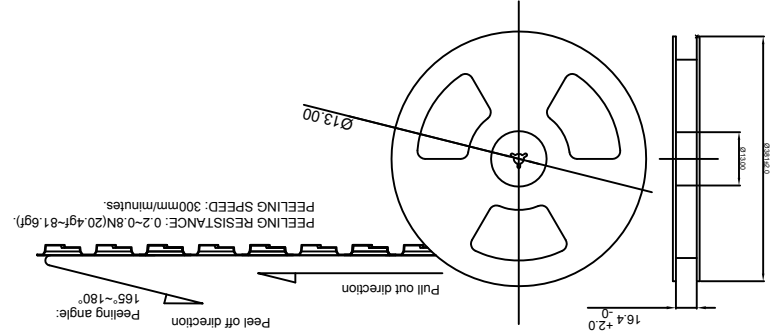
CONTACTS		DIMENSIONS			
	A	B	C		
02	5.08	2.54	5.50	7.50	7.50
03	7.62	5.08	7.50	7.50	7.50
04	10.16	7.62	7.50	7.50	7.50
05	12.70	10.16	7.50	7.50	7.50
06	15.24	12.70	7.50	7.50	7.50



PINS	UNITS/REEL	REELS PER CARTON	CARTON	TOTAL CARRIER TAPE LENGTH
5 & 6	1000 PCS	10	10,000	16.5 m
4	1000 PCS	10	10,000	20.7 m
2 & 3	1000 PCS	16	16,000	16.5 m



FOR 5.40mm PIN LENGTH ONLY



Part Number		BG301	
Drawing Date		7th December 2011	
Product Description			
2.54mm Pitch Pin Header, Single Row, Surface Mount, Horizontal, without Locating Feg, Natural LCP			
By	AJO	Detail	C1
Revision	16/12/14	Date	16/12/14
Tolerances (Except as Noted)		X.X ± 0.30	
Length		XXX ± 0.20	
Metric (mm)		Metric (mm)	
Units:		Metric (mm)	
3rd Angle Projection		3rd Angle Projection	
This drawing is confidential and copyright of Global Connector Technology, Ltd (GCT). This drawing must not be copied or disclosed without written consent. E & OE			
Not to Scale	Drawn By	CM	8
Sheet No.	www.gct.co		2/2



## X-ON Electronics

Largest Supplier of Electrical and Electronic Components

*Click to view similar products for [FFC & FPC Connectors](#) category:*

*Click to view products by [GCT](#) manufacturer:*

Other Similar products are found below :

[HFW11R-1STE1H1LF](#) [FH29B-100S-0.2SHW\(99\)](#) [FA5S008HP1](#) [FH29B-120S-0.2SHW\(99\)](#) [FH29B-80S-0.2SHW\(99\)](#) [FHS-16](#) [FPH-2022G](#)  
[52610-1075](#) [52610-1275](#) [52610-1934](#) [XF3M\(1\)-1415-1B-R100](#) [501864-3091-TR225](#) [0525594033](#) [086210010340800](#) [086222026001800](#)  
[52271-2869-CUT-TAPE](#) [62674-201121DLF](#) [62684-36210E9ALF](#) [52610-1675](#) [52746-1671-TR250](#) [10051922-2810EHLF](#) [6-520415-9](#)  
[BD021-09A-A1-0350-0200-0550-LD](#) [SFV6R-1STE9HLF](#) [XF3M-2915-1B-R100](#) [1658549-1](#) [62674-221121ALF](#) [46214008010800](#)  
[046298003000883](#) [151660622](#) [842-816-2630-035](#) [AYF530665TA](#) [AYF351525](#) [046296011930846+](#) [AYF352325A](#) [046254020000800+](#)  
[FH19C-13S-0.5SH\(99\)](#) [FH39J-51S-0.3SHW\(99\)](#) [AYF355125A](#) [AYF530365TA](#) [FH29B-44S-0.2SHW\(99\)](#) [SFW5R-2STAE9LF](#) [AYF351125A](#)  
[AYF350725A](#) [62684-502100AHLF](#) [FH39-61S-0.3SHW\(99\)](#) [AYF414035A](#) [10064555-172520HLF](#) [AYF212335A](#) [504754-2500](#)