

**EXCELON®72**  
**General Purpose Filter/Regulator**  
**1/4", 3/8" Port Sizes**

- **EXCELON design allows in-line or modular installation with other Excelon 72 products**
- **High efficiency water and particle removal**
- **Quick release bayonet bowl**
- **Highly visible, prismatic liquid level indicator lens on metal bowls**
- **Full flow gauge ports**
- **Balanced valve design for optimum pressure control**
- **Push to lock adjusting knob with tamper resistant accessory**
- **Modular installations with EXCELON 72, 73, and 74 series can be made to suit particular applications**

**Technical Data**

Fluid: Compressed air

Maximum pressure:

Transparent bowl: 10 bar (150 psig)

Metal bowl:

Manual or semi automatic drain: 17 bar (250 psig)

Automatic drain: 10 bar (150 psig)

Operating temperature\*:

Transparent bowl: -20° to +50°C (0° to +125°F)

Metal bowl: -20° to +65°C (0° to +150°F)

\* Air supply must be dry enough to avoid ice formation at temperatures below +2°C (+35°F).

Partical removal: 5 µm, 25 µm or 40 µm. Within ISO 8573-1, Class 3 and Class 5

 Typical flow at 10 bar (150 psig) inlet pressure, 6,3 bar (90 psig) set pressure and a droop of 1 bar (15 psig) from set: 38 dm<sup>3</sup>/s (80 scfm)

Manual drain connection: 7/16-24 UNS male for 1/4" tube nut and ferrule

Semi automatic drain connection: Push on 8 mm (5/16") ID tube

Semi automatic drain operating conditions (pressure operated):

Bowl pressure required to close drain: Greater than 0,1 bar (1.5 psig)

Bowl pressure required to open drain: Less than 0,1 bar (1.5 psig)

 Minimum air flow required to close drain: 0,5 dm<sup>3</sup>/s (1 scfm)

Manual operation: Lift stem to drain bowl

Automatic drain connection: 1/8"

Automatic drain operating conditions (float operated):

Bowl pressure required to close drain: Greater than 0,3 bar (5 psig)

Bowl pressure required to open drain: Less than 0,2 bar (3 psig)

 Minimum air flow required to close drain: 0,1 dm<sup>3</sup>/s (0.2 scfm)

Manual operation: Depress pin inside drain outlet to drain bowl

Gauge ports:

1/8" PTF with PTF main ports

1/8" ISO Rc with ISO Rc main ports

1/8" ISO Rc with ISO G main ports

Nominal bowl size:

Short bowl: 56 ml (1.9 fluid ounce)

Long bowl: 65 ml (2.2 fluid ounce)



Materials:

Body: Zinc

Bonnet: Acetal

Valve: Brass

Bowl:

Transparent: Polycarbonate

Guard for transparent bowl: Zinc

Metal: Zinc

Metal bowl liquid level indicator lens:

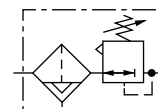
Transparent nylon

Element: Sintered polypropylene

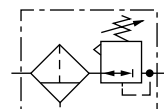
Elastomers: Neoprene and nitrile

**Ordering Information**

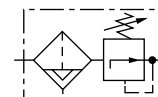
 See *Ordering Information* on the following pages.

**ISO Symbols**


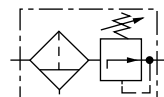
Automatic and Semi Automatic Drain Relieving



Manual Drain Relieving



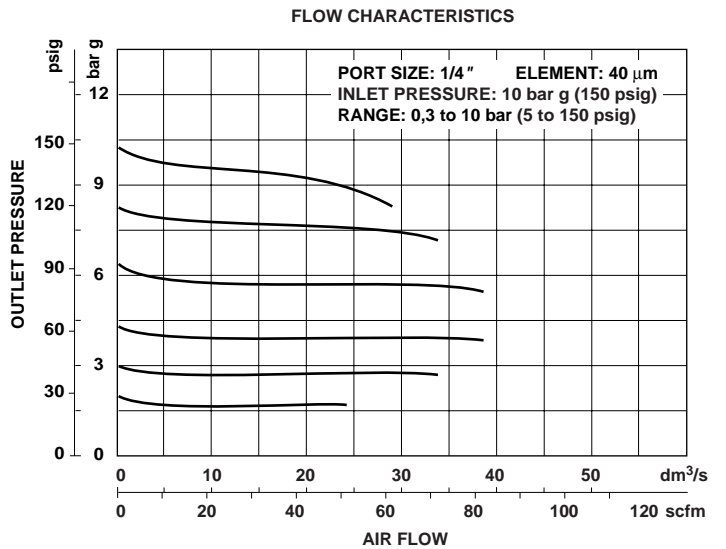
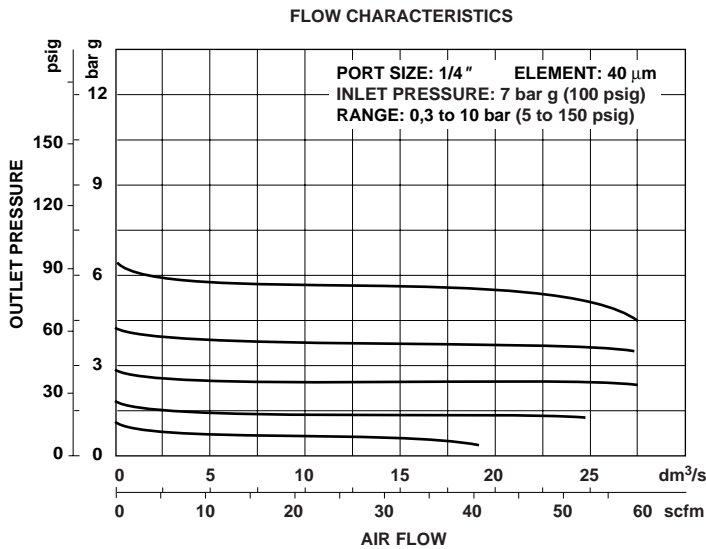
Automatic and Semi Automatic Drain Non Relieving



Manual Drain Non Relieving



### Typical Performance Characteristics



**Ordering Information.** Models listed include ISO G threads, knob adjustment, semi automatic drain, transparent bowl without guard, 40 µm element, relieving diaphragm, 0,3 to 10 bar (5 to 150 psig) outlet pressure adjustment range\* without gauge.

Port Size	Model	Flow† dm³/s (scfm)	Weight kg (lb)
G1/4	B72G-2GK-ST3-RMN	38 (80)	0,52 (1.15)
G3/8	B72G-3GK-ST3-RMN	38 (80)	0,52 (1.15)

† Typical flow with 10 bar (150 psig) inlet pressure, 6,3 bar (90 psig) set pressure and a 1 bar (15 psig) droop from set.

### Alternative Models

B 7 2 G - ★ ★ ★ - ★ ★ ★ - ★ ★ ★

Port Size	Substitute
1/4"	2
3/8"	3
Threads	Substitute
PTF	A
ISO Rc taper	B
ISO G parallel	G
Adjustment	Substitute
Knob	K
T-bar	T

Gauge	Substitute
With	G
Without	N

Outlet Pressure Adjustment Range*	Substitute
0,3 to 2 bar (5 to 30 psig)	C
0,3 to 4 bar (5 to 60 psig)	F
0,3 to 10 bar (5 to 150 psig)	M

Diaphragm	Substitute
Relieving	R
Non relieving	N

Element	Substitute
5 µm	1
25 µm	2
40 µm	3

Bowl	Substitute
Metal with liquid level indicator	D
Transparent without guard	T
Long transparent without guard	L
Long transparent with guard	W

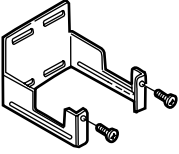
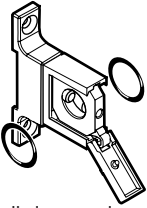
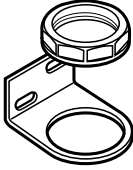

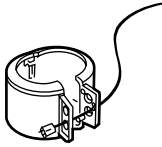
Drain	Substitute
1/4 turn manual	Q
Semi automatic	S
Auto drain**	A


\* Outlet pressure can be adjusted to pressures in excess of, and less than, those specified. Do not use these units to control pressures outside of the specified ranges.

\*\* Supplied in long bowl options only



**Accessories**

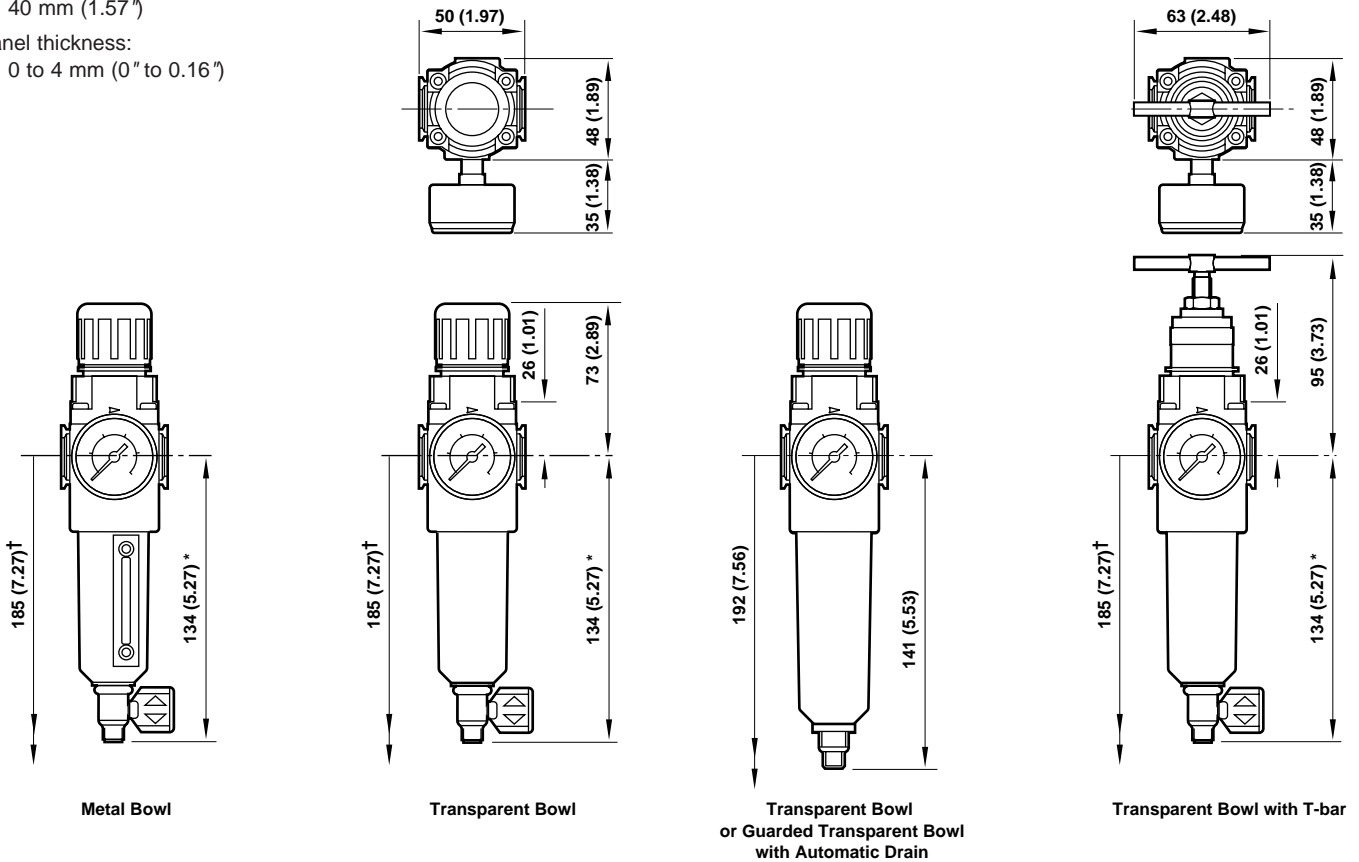
				
Wall Mounting Bracket	Quikclamp and Quikclamp Wall Bracket	Neck Mounting Bracket	Panel Nut	Tamper Resistant Cover and Seal wire
4224-50	4214-52	74316-50	Plastic: 4248-89	4255-51
		Includes plastic panel nut		Seal Wire: 2117-01

		
Ø 40 mm		
Pressure Gauge	R1/8 Connection	1/8 PTF Connection
4 bar (60 psig):	18-013-990	18-013-211
10 bar (150 psig):	18-013-989	18-013-212
25 bar (360 psig):	18-013-908	

**Dimensions mm (inches)**

Panel mounting hole diameter:  
40 mm (1.57")

Panel thickness:  
0 to 4 mm (0" to 0.16")



\* For semi automatic drain add 30 mm (1.17") to 1/4 turn manual drain shown.

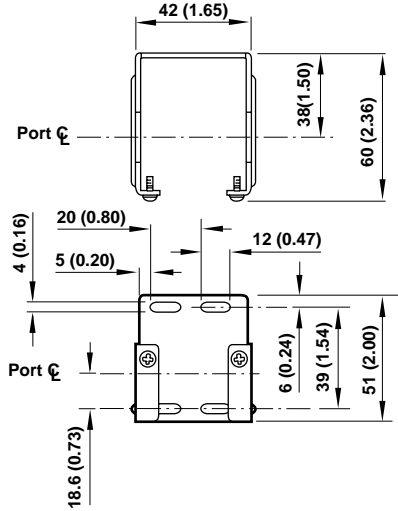
† Minimum clearance required to remove bowl. For semi automatic drain add 30 mm (1.17") to 1/4 turn manual drain shown.



## Bracket Mounting

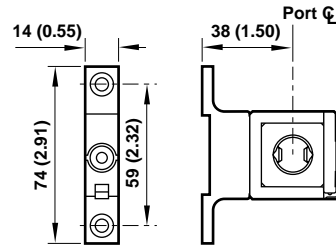
### Wall Bracket

Use 4 mm (5/32") screws to mount bracket to wall.



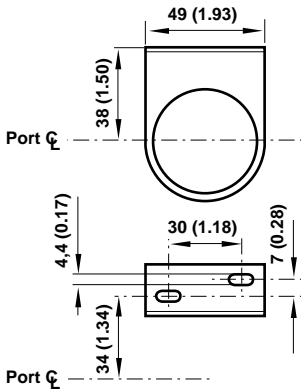
### Quikclamp and Quikclamp Wall Bracket

Use 5 mm (3/16") screws to mount bracket to wall.



### Neck Mounting for B72, R72, V72, includes plastic panel nut

Use 4 mm (5/32") screws to mount bracket to wall.



## Bracket Kit Reference

Item	Part Number
Wall bracket	4224-50
Neck mounting wall bracket	74316-50
Quikclamp and Quikclamp wall bracket	4214-52

## Service Kits

Item	Type	Part Number
Service kit	Relieving	4383-500
	Non relieving	4383-501
Replacement elements	5 µm	5925-03
	25 µm	5925-01
	40 µm	5925-02
Liquid level lens kit	Prismatic	4380-030
Replacement drains	1/4 turn manual	619-50
	Semi automatic	5379-RK
	Automatic	4000-50R

Service kit includes diaphragm assembly, valve assembly, valve spring, louvre o-ring, bowl o-ring, drain seal.

## Warning

These products are intended for use in industrial compressed air systems only. Do not use these products where pressures and temperatures can exceed those listed under 'Technical Data'.

Before using these products with fluids other than those specified, for non-industrial applications, life-support systems, or other applications not within published specifications, consult NORGREN.

Through misuse, age, or malfunction, components used in fluid power systems can fail in various modes. The system designer is warned to consider the failure modes of all component parts used in fluid power systems and to provide adequate safeguards to prevent personal injury or damage to equipment in the event of such failure.

**System designers must provide a warning to end users in the system instructional manual if protection against a failure mode cannot be adequately provided.**

System designers and end users are cautioned to review specific warnings found in instruction sheets packed and shipped with these products.

Water vapor will pass through these units and will condense into liquid if air temperature drops in the downstream system. Install an air dryer if water condensation could have a detrimental effect on the application.

## X-ON Electronics

Largest Supplier of Electrical and Electronic Components

*Click to view similar products for [norgren](#) manufacturer:*

Other Similar products are found below :

[8254200.9151.02400](#) [B72G-2GK-AL3-RMN](#) [C01470828](#) [18-013-989](#) [18-013-990](#) [V61B413A-A213J](#) [100201000](#) [101250828](#) [CS6004010](#)  
[F72G-2GN-AL3](#) [101470838](#) [8240400.9101.23050](#) [M/58308/01](#) [RT/57220/M/40](#) [18-015-013](#) [F74G-4GN-AP3](#) [8240400.9101.02400](#)  
[C01251048](#) [RT/57212/M/50](#) [M/3314](#) [101250628](#) [101470818](#) [RT/57220/M/80](#) [150050038](#) [602112128](#) [V62C413A-A213J](#) [R07-200-RNKG](#)  
[V60A513A-A213J](#) [101250818](#) [10K510618](#) [S/521](#) [101251028](#) [R72G-2GK-RMN](#) [C02260628](#) [C01250838](#) [101470628](#) [C00200400](#) [M/S2](#)  
[C01470628](#) [R07-100-RNKG](#) [C01470838](#) [088030000000000000](#) [101250838](#) [101470618](#) [102250628](#) [18-015-989](#) [101470828](#) [C01251038](#) [18-](#)  
[025-003](#) [C01250828](#)