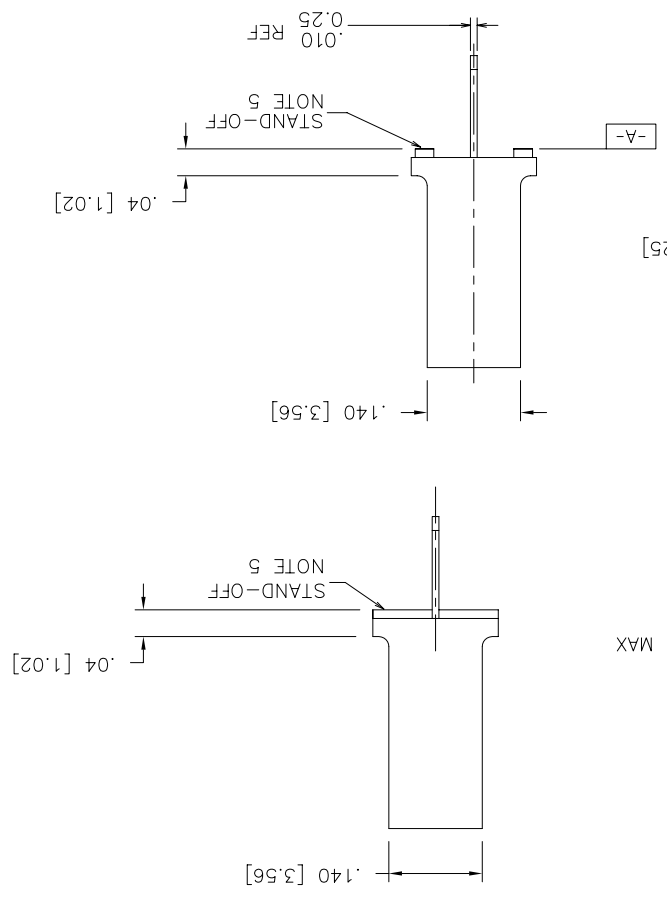
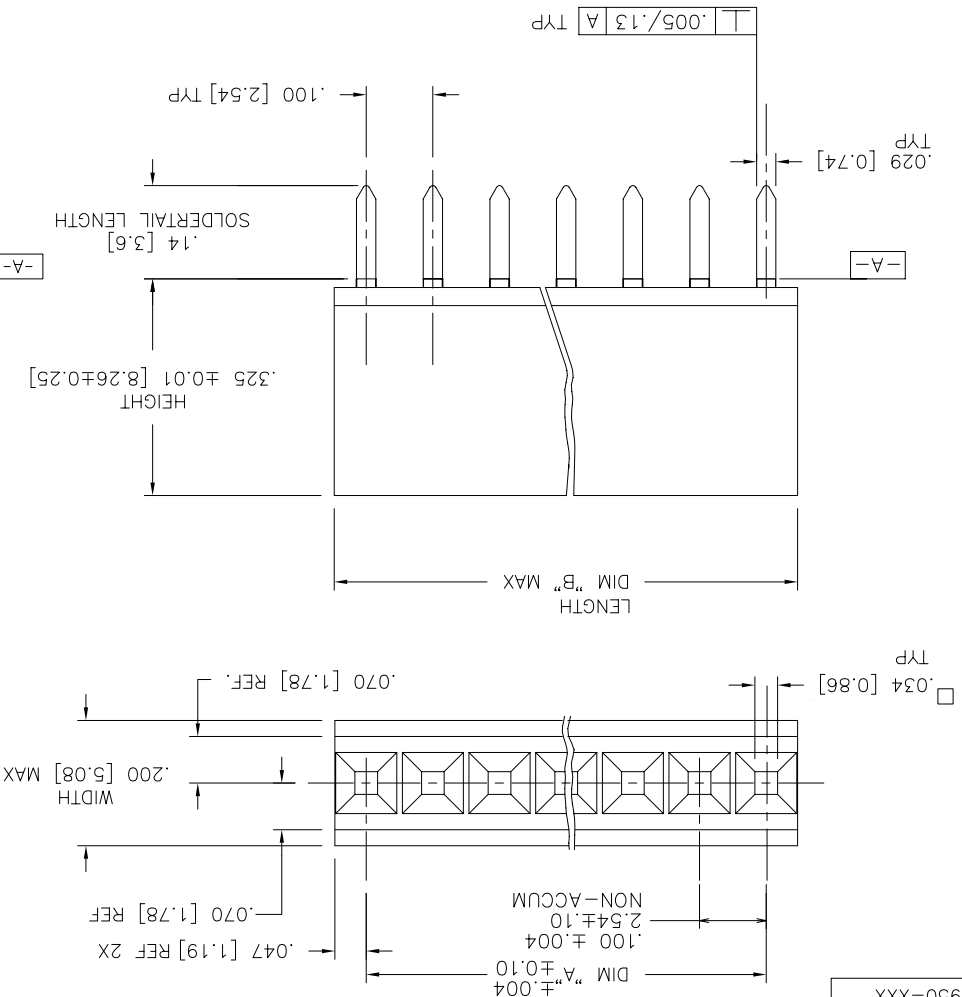


PRODUCT NUMBER  
66950-XXX



mat'l. code		surface		tolerance		projection		product family	
NOTES 1 & 2		ISO 1502		ISO 406		ISO 1101		CARD CONN	
date		inches		mm		title		VERTICAL CARD CONN.	
dr		angles		inches		scale 1:4		100/2.54 CTR. SINGLE. ROW	
ecn no		MRC		LSS		MDF		J.SHREINER	
v11848		10/13/92		6/23/97		12/27/99		7/12/91	
JCS		7/12/91		0.F.2		XXXX.000/XXXX.051		XXXX.000/XXXX.051	
JCS		7/12/91		0.F.2		XXXX.000/XXXX.051		XXXX.000/XXXX.051	
V23245		10/13/92		0.F.2		XXXX.000/XXXX.051		XXXX.000/XXXX.051	
MRC		10/13/92		0.F.2		XXXX.000/XXXX.051		XXXX.000/XXXX.051	
LSS		6/23/97		0.F.2		XXXX.000/XXXX.051		XXXX.000/XXXX.051	
V94468		12/27/99		0.F.2		XXXX.000/XXXX.051		XXXX.000/XXXX.051	
MDF		12/27/99		0.F.2		XXXX.000/XXXX.051		XXXX.000/XXXX.051	
G		7/12/91		0.F.2		XXXX.000/XXXX.051		XXXX.000/XXXX.051	
H		10/11/05		0.F.2		XXXX.000/XXXX.051		XXXX.000/XXXX.051	
M05-0210		10/11/05		0.F.2		XXXX.000/XXXX.051		XXXX.000/XXXX.051	
MHT		6/03/06		0.F.2		XXXX.000/XXXX.051		XXXX.000/XXXX.051	
J		6/03/06		0.F.2		XXXX.000/XXXX.051		XXXX.000/XXXX.051	
M06-0210		6/03/06		0.F.2		XXXX.000/XXXX.051		XXXX.000/XXXX.051	
revision		revision		revision		revision		revision	
sheet		sheet		sheet		sheet		sheet	
1		2		3		4		5	
index		index		index		index		index	
sheet		sheet		sheet		sheet		sheet	
1		2		3		4		5	
2		3		4		5		6	
3		4		5		6		7	
4		5		6		7		8	
5		6		7		8		9	
6		7		8		9		10	
7		8		9		10		11	
8		9		10		11		12	
9		10		11		12		13	
10		11		12		13		14	
11		12		13		14		15	
12		13		14		15		16	
13		14		15		16		17	
14		15		16		17		18	
15		16		17		18		19	
16		17		18		19		20	
17		18		19		20		21	
18		19		20		21		22	
19		20		21		22		23	
20		21		22		23		24	
21		22		23		24		25	
22		23		24		25		26	
23		24		25		26		27	
24		25		26		27		28	
25		26		27		28		29	
26		27		28		29		30	
27		28		29		30		31	
28		29		30		31		32	
29		30		31		32		33	
30		31		32		33		34	
31		32		33		34		35	
32		33		34		35		36	
33		34		35		36		37	
34		35		36		37		38	
35		36		37		38		39	
36		37		38		39		40	
37		38		39		40		41	
38		39		40		41		42	
39		40		41		42		43	
40		41		42		43		44	
41		42		43		44		45	
42		43		44		45		46	
43		44		45		46		47	
44		45		46		47		48	
45		46		47		48		49	
46		47		48		49		50	
47		48		49		50		51	
48		49		50		51		52	
49		50		51		52		53	
50		51		52		53		54	
51		52		53		54		55	
52		53		54		55		56	
53		54		55		56		57	
54		55		56		57		58	
55		56		57		58		59	
56		57		58		59		60	
57		58		59		60		61	
58		59		60		61		62	
59		60		61		62		63	
60		61		62		63		64	
61		62		63		64		65	
62		63		64		65		66	
63		64		65		66		67	
64		65		66		67		68	
65		66		67		68		69	
66		67		68		69		70	
67		68		69		70		71	
68		69		70		71		72	
69		70		71		72		73	
70		71		72		73		74	
71		72		73		74		75	
72		73		74		75		76	
73		74		75		76		77	
74		75		76		77		78	
75		76		77		78		79	
76		77		78		79		80	
77		78		79		80		81	
78		79		80		81		82	
79		80		81		82		83	
80		81		82		83		84	
81		82		83		84		85	
82		83		84		85		86	
83		84		85		86		87	
84		85		86		87		88	
85		86		87		88		89	
86		87		88		89		90	
87		88		89		90		91	
88		89		90		91		92	
89		90		91		92		93	
90		91		92		93		94	
91		92		93		94		95	
92		93		94		95		96	
93		94		95		96		97	
94		95		96		97		98	
95		96		97		98		99	
96		97		98		99		100	
97		98		99		100		101	
98		99		100		101		102	
99		100		101		102		103	
100		101		102		103		104	
101		102		103		104		105	
102		103		104		105		106	
103		104		105		106		107	
104		105		106		107		108	
105		106		107		108		109	
106		107		108		109		110	
107		108		109		110		111	
108		109		110		111		112	
109		110		111		112		113	
110		111		112		113		114	
111		112		113		114		115	
112		113		114		115		116	
113		114		115		116		117	
114		115		116		117		118	
115		116		117		118		119	
116		117		118		119		120	
117		118		119		120		121	
118		119		120		121		122	
119		120		121		122		123	
120		121		122		123		124	
121		122		123		124		125	
122		123		124		125		126	
123		124		125		126		127	
124		125		126		127		128	
125		126		127		128		129	
126		127		128		129		130	
127		128		129		130		131	
128		129		130		131		132	
129		130		131		132		133	
130		131		132		133		134	
131		132		133		134		135	
132		133		134		135		136	
133		134		135		136		137	
134		135		136		137		138	
135		136		137		138		139	
136		137		138		139		140	
137		138		139		140		141	
138		139		140		141		142	
139		140		141		142		143	
140		141		142		143		144	
141		142		143		144		145	
142		143		144		145		146	
143		144		145		146		147	
144		145		146		147		148	
145		146		147		148		149	
146		147		148		149		150	
147		148		149		150		151	
148		149		150		151		152	
149		150		151		152		153	
150		151		152		153		154	
151		152		153		154		155	
152		153		154		155		156	
153		154		155		156		157	

PRODUCT NUMBER	SEE TABLE
----------------	-----------

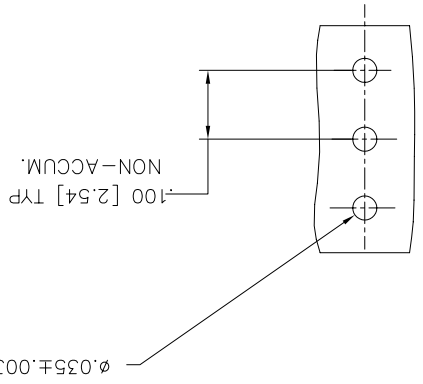


FIGURE "A"  
SCALE 4:1

NOTES.

- ① HOUSING MATERIAL: FILLED POLYESTER, FLAME RETARDANT PER UL 94V-0. COLOR: BLACK.
- ② TERMINAL MATERIAL: BODY: BRASS; SPRING: BeCu; HEAT TREATED BODY PLATING: 15u" [.38u] Au OVER 50u" [1.27]u Ni IN CONTACT AREA SPRING PLATING: GOLD FLASH

- 3. MARKING: FCI PART NUMBER AND DATE CODE LEGIBLE ON TUBE LABEL.
- 4. APPLICATION INFORMATION:
  - A. RECOMMENDED MOUNTING HOLE PATTERN IS SHOWN IN FIGURE A.
  - B. ALL MATING PINS TO BE .025 [.64] SQUARE ON TRUE CENTER OF GIVEN TERMINAL SPACINGS, WITHIN .015 [.38] DIAMETER.
  - C. SUGGESTED MATING PIN LENGTH, .210 ±.020 [5.33 ±.51].
- ⑤ STAND-OFF CONFIGURATION BUMP OR RIB, AT MANUFACTURES' OPTION.
- ⑥ ADD "LF" SUFFIX AT THE END OF PART NUMBER FOR LEAD FREE OPTION.
- ⑦ THESE PRODUCTS MEET EUROPEAN UNION DIRECTIVES AND OTHER COUNTRY REGULATIONS AS DESCRIBED IN GS-22-008.
- 8. THIS PART WILL WITHSTAND EXPOSURE TO 260°C PEAK TEMPERATURE FOR 20 SECONDS IN WAVE SOLDER, INFRA-RED OR VAPOR PHASE SOLDER PROCESS.

matl. code		ISO 1302	ISO 406	ISO 1101	projection	product family	CARD CONN
itr	ecn no	dr	date	tolerances unless otherwise specified	XXXX.01/XX.3	INCH/MM	title
J				ingles	XXXX.005/XXX.13		VERTICAL CARD CONN.
				inogr	XXXX.0020/XXXX.051	scale 1:4	100/2.54 CTR. SINGLE. ROW
				dr	J.SHREINER	7/12/91	sheet no
				engr	M.HAHN	7/12/91	sheet 2 of 3 size
				chr	M.HAHN	7/12/91	66950
				pppd	M.HAHN	7/12/91	A3
sheet	revision						
index							

PRODUCT NO.	NO OF POSITIONS	DIM A	DIM B	LEAD FREE OPTION
66950-001	UNASSIGNED			
-002	1 X 2	100/2.54	200/5.08	
-003	1 X 3	200/5.08	300/7.62	
-004	1 X 4	300/7.62	400/10.16	
-005	1 X 5	400/10.16	500/12.70	
-006	1 X 6	500/12.70	600/15.24	
-007	1 X 7	600/15.24	700/17.78	
-008	1 X 8	700/17.78	800/20.32	
-009	1 X 9	800/20.32	900/22.86	
-010	1 X 10	900/22.86	1000/25.40	
-011	1 X 11	1000/25.40	1100/27.94	
-012	1 X 12	1100/27.94	1200/30.48	
-013	1 X 13	1200/30.48	1300/33.02	
-014	1 X 14	1300/33.02	1400/35.56	
-015	1 X 15	1400/35.56	1500/38.10	
-016	1 X 16	1500/38.10	1600/40.64	
-017	1 X 17	1600/40.64	1700/43.18	
-018	1 X 18	1700/43.18	1800/45.72	
-019	1 X 19	1800/45.72	1900/48.26	
-020	1 X 20	1900/48.26	2000/50.80	
-021	1 X 21	2000/50.80	2100/53.34	
-022	1 X 22	2100/53.34	2200/55.88	
-023	1 X 23	2200/55.88	2300/58.42	
-024	1 X 24	2300/58.42	2400/60.96	
-025	1 X 25	2400/60.96	2500/63.50	
-026	1 X 26	2500/63.50	2600/66.04	
-027	1 X 27	2600/66.04	2700/68.58	
-028	1 X 28	2700/68.58	2800/71.12	
-029	1 X 29	2800/71.12	2900/73.66	
-030	1 X 30	2900/73.66	3000/76.20	
-031	1 X 31	3000/76.20	3100/78.74	
-032	1 X 32	3100/78.74	3200/81.28	
-033	1 X 33	3200/81.28	3300/83.82	
-034	1 X 34	3300/83.82	3400/86.36	
-035	1 X 35	3400/86.36	3500/88.90	
66950-036	1 X 36	3500/88.90	3600/91.44	

NOTE 6,7

NOTE 6,7

matl. code		surface	ISO 1302	tolerance	ISO 406 ISO 1101	projection	product family	CARD CONN
itr	ecn no	dr	date	tolerances unless otherwise specified	XXXX.01/XX.3	INCH/MM	title	VERTICAL CARD CONN.
	ngles	indeg	XXXX.005/XXX.13			scale 1:4	100/2.54 CTR. SINGLE. ROW	
	0"±.2"		XXXX.0020/XXXX.051			dwg no	66950	
	dr	J.SHREINER	7/12/91			sheets of 3 size	A3	
	engr	M.HAHN	7/12/91					
	chr	M.HAHN	7/12/91					
	ppd	M.HAHN	7/12/91					
sheet	revision							
index								

6 5 4 3 2 1 A B C D

## X-ON Electronics

Largest Supplier of Electrical and Electronic Components

*Click to view similar products for [Headers & Wire Housings](#) category:*

*Click to view products by [FCT Electronics](#) manufacturer:*

Other Similar products are found below :

[95000-104TRLF](#) [10135584-644402LF](#) [DF62W-EP2022PCA](#) [95000-106TRLF](#) [DF62W-2022SCA](#) [DF62W-EP2022PC](#) [2203348](#) [DF62W-2022SC](#) [1084018](#) [1029039](#) [1084017](#) [802-10-012-10-002000](#) [1112640](#) [1112639](#) [891-007-9SS-BST1T](#) [000-34000](#) [0008550134](#) [0009482033](#) [0009507031](#) [57102-F02-18ULF](#) [57102-S06-03LF](#) [57202-S52-04LF](#) [PCN6-15S-2.5E](#) [0039019024](#) [58102-G61-06LF](#) [582553-1](#) [0009485154](#) [0009508121](#) [0022285053](#) [0050291907](#) [018731A](#) [LY20-4P-DT1-P1E-BR](#) [02.125.8002.8](#) [60101931](#) [60598-1 \(Cut Strip\)](#) [M1625-3R/100](#) [61062-3](#) [61082-181009](#) [CSU011177004](#) [636-1427](#) [638009-1](#) [641938-9](#) [641991-4](#) [644168-1](#) [644827-2](#) [647662-1](#) [65039-019ELF](#) [65692-001LF](#) [65781-018](#) [65781-047](#)