

DRAWING NO.  
SC210991

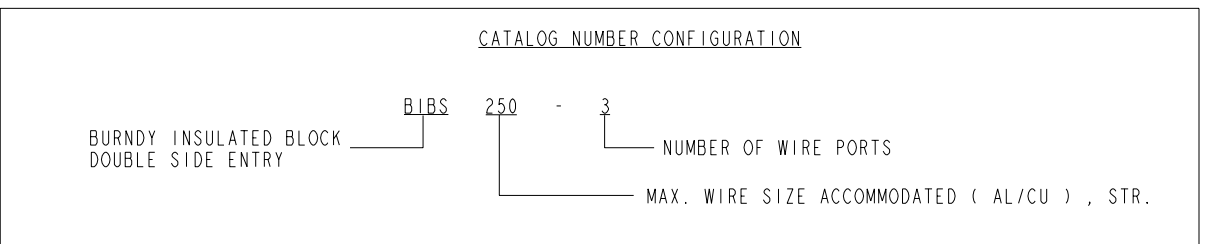
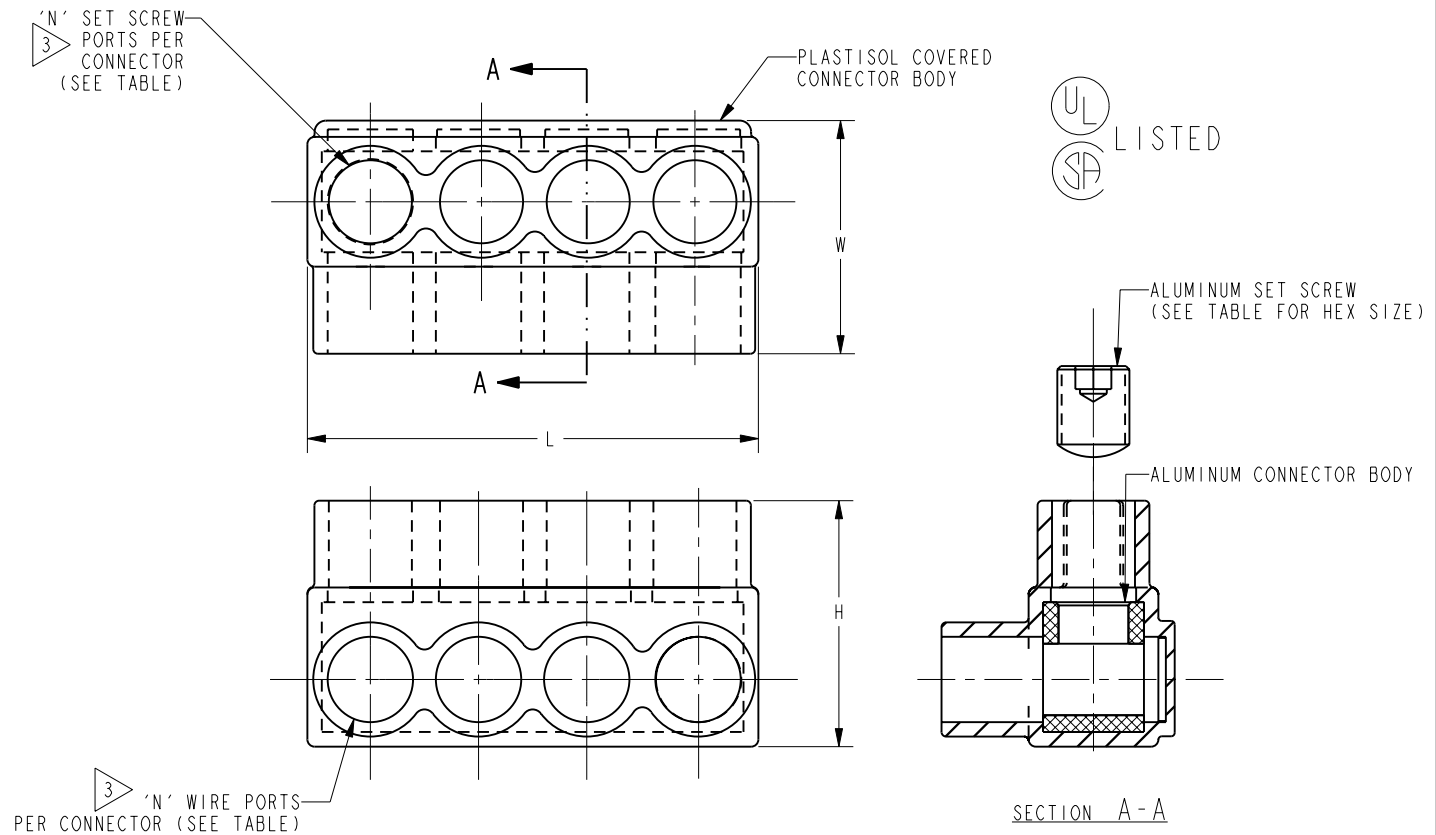
CATALOG NO	WIRE RANGE (AWG/kcmil)	L	W	H	HEX KEY	N
BIBS250-3	#10-250	2.97 [75]	2.07 [53]	2.13 [54]	5/16	3
BIBS250-4	#10-250	3.91 [99]	2.07 [53]	2.13 [54]	5/16	4
BIBS250-5	#10-250	4.84 [123]	2.07 [53]	2.13 [54]	5/16	5
BIBS250-6	#10-250	5.78 [147]	2.07 [53]	2.13 [54]	5/16	6
BIBS250-8	#10-250	7.66 [195]	2.07 [53]	2.13 [54]	5/16	8
BIBS250-10	#10-250	9.53 [242]	2.07 [53]	2.13 [54]	5/16	10
BIBS250-12	#10-250	11.41 [290]	2.07 [53]	2.13 [54]	5/16	12
BIBS250-14	#10-250	13.29 [338]	2.07 [53]	2.13 [54]	5/16	14

FEATURES	BENEFITS
PLASTISOL COVERED AL6061-T6 BODY	SAVES TIME, LOWERS INSTALLATION COSTS, ELIMINATES TAPING.
CLEAR PLASTISOL	ALLOWS VISUAL CONFIRMATION THAT CONDUCTOR IS PROPERLY INSERTED.
OXIDE-INHIBITOR IS PRE-INSTALLED	INHIBITS MOISTURE AND CONTAMINANTS FROM ENTERING THE CONTACT AREA
RANGE-TAKING	REDUCES THE NUMBER OF CONNECTORS CARRIED IN INVENTORY

NOTES:

- THIS DRAWING TO BE INTERPRETED PER ASME Y14.5M-1994.
- CONNECTORS ARE SUPPLIED INDIVIDUALLY LABELED. LABEL INFORMATION INCLUDES CATALOG NUMBER, QUANTITY, AND BARCODE.
- END CAPS INSTALLED ON WIRE PORTS AND SET SCREW PORTS.
- ALL CONNECTORS UL LISTED, CSA CERTIFIED FOR AL9CU, 90°C APPLICATIONS.
- DIMENSIONS IN BRACKETS [ ] ARE IN MILLIMETERS ROUNDED OFF TO THE NEAREST MILLIMETER, UNLESS OTHERWISE NOTED, AND ARE FOR REFERENCE ONLY.
- TORQUE SET SCREWS TO 275 IN/LB

REV	DATE	DESCRIPTION	ECO	BY	C'H'K.
B	12/13/2012 00:00:00 AM	TORQUE INFORMATION ADDED	29767	RG	MA



REV: PE0200

TO ORDER BURNDY® PRODUCTS CALL		UNITAP™- PLASTISOL COVERED WIRE CONNECTORS	
UNITED STATES: 1-800-346-4175 (LONDONDERRY, NH)		ITEM NO: N/A	
CANADA: 1-800-361-6975 (QUEBEC) 1-800-387-6487 (ALL OTHER PROVINCES)		CAT. NO: BIBS250-, SERIES	
FOR PRODUCT INFO: <a href="http://www.burndy.com">http://www.burndy.com</a>		DRAWN BY: J AYER 3/21/97	
		CHECKER: C CHADBOURNE 7/21/97	
		DSN APPVL: C CHADBOURNE 7/21/97	
		MFG APPVL: --	
		QA APPVL: J BRODEUR 7/28/97	
		MKT APPVL: P WERTHMAN 7/24/97	
		SCALE: NTS	
		DRAWING NO	
		SC210991	
		REV	
		B	
		SHEET 12 OF 15	

## X-ON Electronics

Largest Supplier of Electrical and Electronic Components

*Click to view similar products for [Pluggable Terminal Blocks](#) category:*

*Click to view products by [FCT Electronics](#) manufacturer:*

Other Similar products are found below :

[57.404.7553](#) [57.504.0053.7](#) [57.510.0053](#) [57.910.6153](#) [01.112.1453](#) [CTB932VE/6](#) [MC 1.5/ 6-ST-3.5 GY AU](#) [ET02015000J0G](#) [734-104](#) [734-302](#) [734-304](#) [8-141-P](#) [FKCT 2.5/ 3-ST KMGY](#) [860505](#) [860508](#) [860516](#) [860810](#) [861908](#) [GBPACX-12](#) [93.731.4953.0](#) [PV05-5,08-K](#) [PVP02-5,00](#) [PVP04-3,50](#) [PVS02-5,00](#) [1-1986160-3](#) [H-10](#) [1546228-5](#) [ELFH09150](#) [ELFH16150](#) [ELFP03110](#) [ELFT06250](#) [ELFT07250](#) [ELVF09400](#) [ELVP03100](#) [ELXH03100](#) [ELXH071G0E](#) [ELXP041G0](#) [ELXT046G0](#) [1700101](#) [1700410](#) [1700425](#) [1703176](#) [1703243](#) [1705229](#) [1710175](#) [1714537](#) [1717806](#) [1719600](#) [1728941](#) [1729386](#)