



PRODUCT NUMBER  
71922-XXXXLF

Rohs compatible, see note 10

= STANDARD HOUSING COLOR GREY  
(WITHOUT OPTIONAL LETTER)

B= OPTIONAL HOUSING COLOR BLACK

S= SPECIFIC CUSTOMER PLATING OPTION  
HOUSING COLOR GREY

LATCHING

0= WITHOUT LATCH

1= STANDARD LATCH

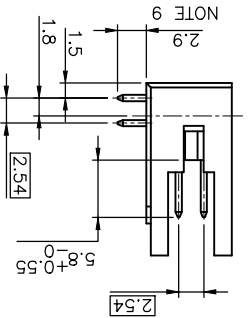
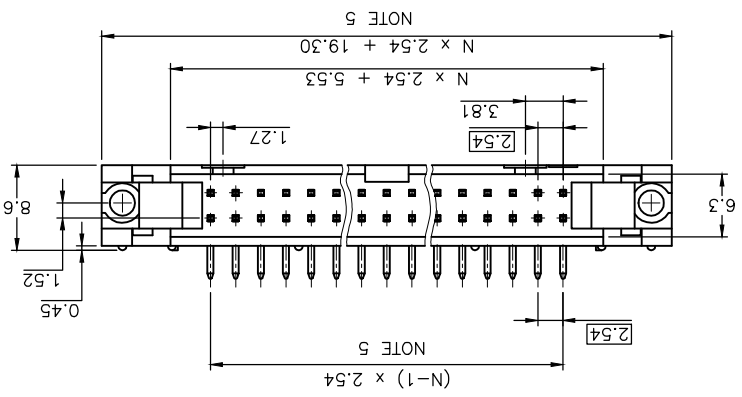
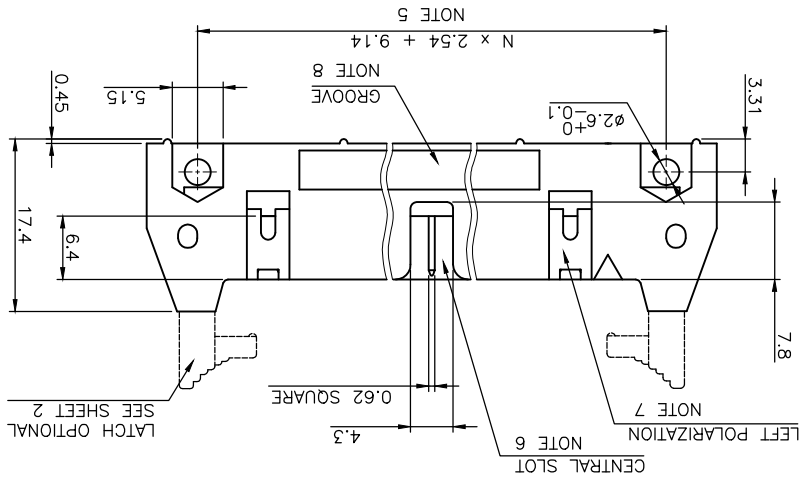
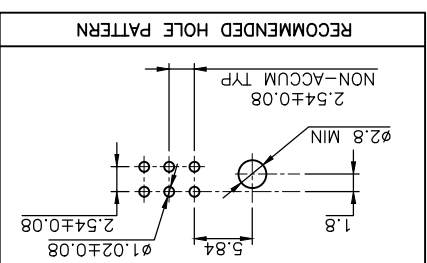
2= LOW PROFILE LATCH

TOTAL NB OF POSITIONS, SEE SHEET 2

NOTES:

- 1 - HOUSING MAT'L: GLASS FILLED THERMOPLASTIC, UL94V-0
- 2 - PIN MATERIAL : PHOSPHOR BRONZE
- 3 - PRODUCT PACKAGED IN TUBES
- 4 - 40N MIN LATCH RETENTION FORCE AT FIRST EXTRACTION
- 5 - TO DETERMINE DIMENSIONS : N = NUMBER OF POSITIONS PER ROW EXAMPLE : 8 POS N x 2.54 = 20.32mm
- 6 - NO CENTRAL SLOT ON POSITIONS 6 & 8
- 7 - NO LEFT POLARIZATION ON POSITIONS 06, 08, 10, 14.
- 8 - NO GROOVE ON POSITIONS 06, 08, 10, 14, 30, 34
- 9 - 4.5mm SOLDER TAIL ORDER 71922-4XX (WITH STANDARD LATCH ONLY) ORDER 71922-5XX (WITH LOW PROFILE LATCH ONLY)
- 10 - ROHS COMPATIBLE PRODUCT SPECIFICATIONS

- a - PLATING:
- "LF" MEANS THE PRODUCT IS LEAD-FREE, 2µm MINIMUM MATTE TIN OVER 1.27µm MINIMUM NICKEL UNDERPLATE.
- b - MANUFACTURING PROCESS COMPATIBILITY
- THE HOUSING WILL WITHSTAND EXPOSURE TO 260°C ±5°C SOLDER BATH TEMPERATURE FOR 5 SECONDS IN A WAVE SOLDER APPLICATION WITH A 1.6mm MIN THICK CIRCUIT BOARD.
- c - LABELING:
- MEETS PACKAGING SPECS AS PER GS-14-920
- d - LEGAL STATEMENT: SEE GS-47-0004.



mat'l. code		SEE NOTES		ISO 1302		tolerance		ISO 406 ISO 1101		projection		product family		QUICKIE	
lit	ecn no	dr	date	tolerances unless otherwise specified		XX ±0.3		XX ±0.13		mm		SHR.EL.HEADER		RA DR TMT	
V	F10-0054	LMU	10.05.19							scale 2:1					
W	B-16776	LMU	14.01.23	angles		linea									
X	B-18018	JCO	14.06.19	D.LE		D.LE									
Y	B-18236	LMU	14.07.08	engn		J.M.C		01.01.24							
AA	B-19092	LMU	14.10.16	chf		J.F.N		01.01.24							
AB	B-20349	BVE	15.03.02	appt		J.M.C		01.01.24							
sheet	revision	AB	T												
1	2														
index	sheet														
type		CUSTOMER Drawing		dwg no		71922		A3		sheet 1 of 2 size					

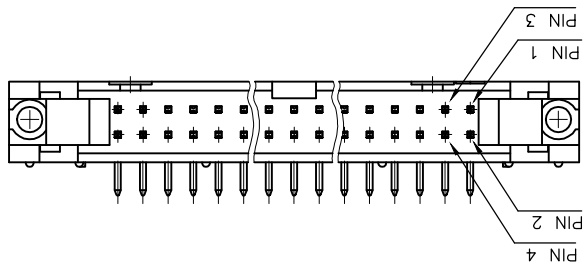
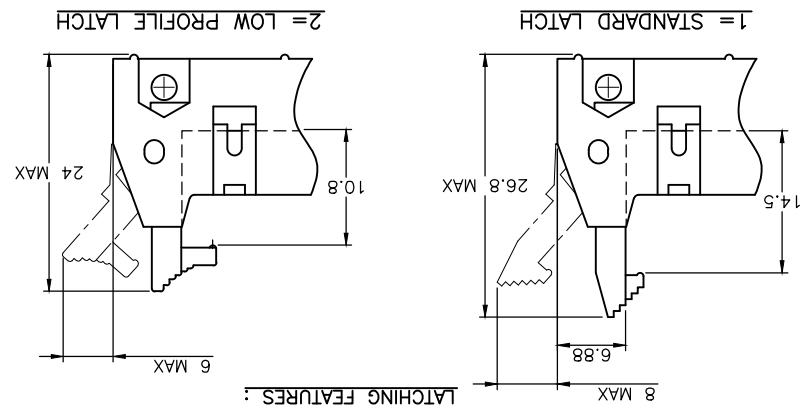


FCIconnect.com

Copyright FCI

PRODUCT NUMBER	SIZE	LATCHING AVAILABILITY	MISSING PIN POSITIONS
71922-X06(B)LF	2x3	0/1/2	
71922-X08(B)LF	2x4	0/1/2	
71922-X10(B)LF	2x5	0/1/2	
71922-X14(B)LF	2x7	0/1/2	
71922-X16(B)LF	2x8	0/1/2	
71922-X18(B)LF	2x9	0/1/2	
71922-X20(B)LF	2x10	0/1/2	
71922-X26(B)LF	2x13	0/1/2	
71922-X28(B)LF	2x13	0/1/2	PIN 5 TO 12
71922-X30(B)LF	2x15	0/1/2	
71922-X34(B)LF	2x17	0/1/2	
71922-X35(B)LF	2x17	0/1/2	PIN 2 & 3
71922-X39(B)LF	2x20	0/1/2	PIN 20
71922-X40(B)LF	2x20	0/1/2	
71922-X44(B)LF	2x22	0/1/2	
71922-X50(B)LF	2x25	0/1/2	
71922-X60(B)LF	2x30	0/1/2	
71922-X64(B)LF	2x32	0/1/2	

PLATING :  
 - 0.76µm GOLD/GXT  
 - (PANI WITH GOLD FLASH) ON CONTACT AREA  
 2µm MIN MATTE TIN ON TAIL  
 UNDERPLATE : 1.27µm NI MIN



mat'l. code	ISO 1302	surface tolerance	ISO 406 ISO 1101	projection	product family	QUICKIE
ltr ecn no	dr	date	tolerances unless otherwise specified	projection	title	SHR.EL.HEADER
M F06-0229	LMU	06.07.17		angles	mm	RA DR TMT
N F07-0195	LMU	07.05.25		linear	mm	RA DR TMT
P F08-0146	YOV	08.04.11		scale	2:1	RA DR TMT
R B-16776	LMU	14.01.23	D.LE	01.01.24	01.01.24	01.01.24
S B-19092	LMU	14.10.16	engr	J.M.C	01.01.24	01.01.24
T B-20349	BVE	15.03.02	chr	J.F.N	01.01.24	01.01.24
			appd	J.M.C	01.01.24	01.01.24
sheet	revision					
index	revision					

type	CUSTOMER Drawing	sheet	
dwg no	71922	sheet	
title	SHR.EL.HEADER	sheet	
product family	QUICKIE	sheet	

## X-ON Electronics

Largest Supplier of Electrical and Electronic Components

*Click to view similar products for [Headers & Wire Housings](#) category:*

*Click to view products by [FCT Electronics](#) manufacturer:*

Other Similar products are found below :

[95000-104TRLF](#) [10135584-644402LF](#) [DF62W-EP2022PCA](#) [95000-106TRLF](#) [DF62W-2022SCA](#) [DF62W-EP2022PC](#) [2203348](#) [DF62W-2022SC](#) [1084018](#) [1029039](#) [1084017](#) [802-10-012-10-002000](#) [1112640](#) [1112639](#) [891-007-9SS-BST1T](#) [000-34000](#) [0008550134](#) [0009482033](#) [0009507031](#) [57102-F02-18ULF](#) [57102-S06-03LF](#) [57202-S52-04LF](#) [PCN6-15S-2.5E](#) [0039019024](#) [58102-G61-06LF](#) [582553-1](#) [0009485154](#) [0009508121](#) [0022285053](#) [0050291907](#) [018731A](#) [LY20-4P-DT1-P1E-BR](#) [02.125.8002.8](#) [60101931](#) [60598-1 \(Cut Strip\)](#) [M1625-3R/100](#) [61062-3](#) [61082-181009](#) [CSU011177004](#) [636-1427](#) [638009-1](#) [641938-9](#) [641991-4](#) [644168-1](#) [644827-2](#) [647662-1](#) [65039-019ELF](#) [65692-001LF](#) [65781-018](#) [65781-047](#)