

# ED

## AC ELAPSED TIME INDICATORS

**Industrial Timer Company**

30 Industrial Park Road

Centerbrook, CT 06409

800-394-7130

[www.industrialtimercompany.com](http://www.industrialtimercompany.com)



### ED Series Meter

#### DESCRIPTION

This series of running time meters feature a five-digit readout and are completely enclosed in a glass and metal housing. There is no reset feature, making the unit virtually tamper proof. The ED series provides dust and moisture resistance. It is available with glass fused solder terminals or 11¼ inch leads. The timers feature an operation indicator.

#### APPLICATION

These elapsed time indicators are heavy-duty units designed for use in severe environments where small size is important. They are applied anywhere there is a need to accumulate running time on AC powered equipment. Typical applications for the ED series include: manufacturing machinery, HVAC equipment, and motor generators.

#### OPERATION

There are no operator controls associated with these timers. When power is applied, time is accumulated on the digital readout.

#### SPECIFICATIONS

Wiring	ED71 – 11¼ inch leads ED72 – Glass fused solder terminals
Voltage	120V/60Hz standard. Consult factory for other voltages and frequencies
Agency Approvals	ED71 – UL, CSA ED72 – UL
Dial Indication	Hrs. and tenths

#### STANDARD MODELS

Model Number	Lead Configuration
ED7112	11 ¼ inch wire leads
ED7212	Solder terminals

# ED

## AC ELAPSED TIME INDICATORS

Industrial Timer Company

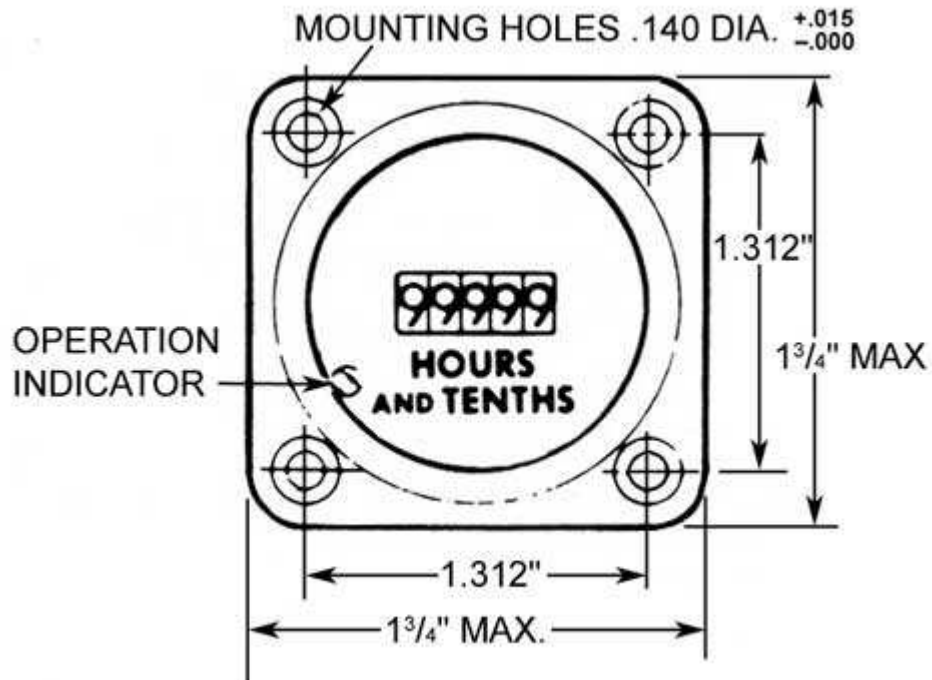
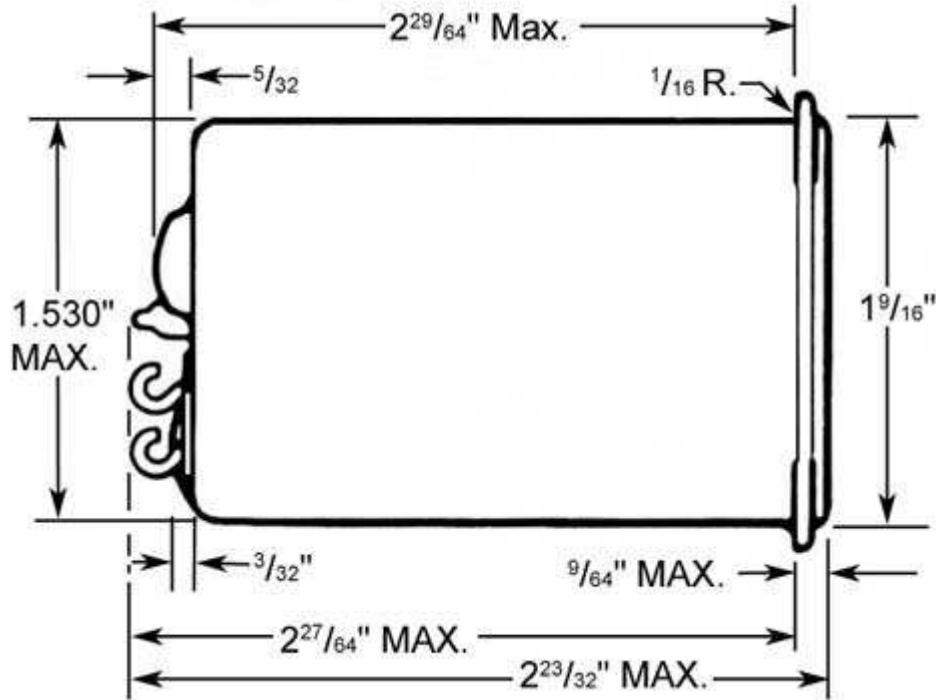
30 Industrial Park Road

Centerbrook, CT 06409

800-394-7130

[www.industrialtimercompany.com](http://www.industrialtimercompany.com)

### ED DIMENSIONS



## **X-ON Electronics**

Largest Supplier of Electrical and Electronic Components

*Click to view similar products for [itc industrial timer](#) manufacturer:*

Other Similar products are found below :

[ITC Industrial Timer](#)