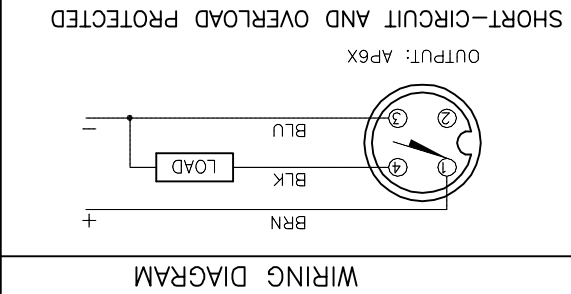
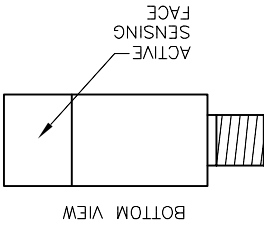
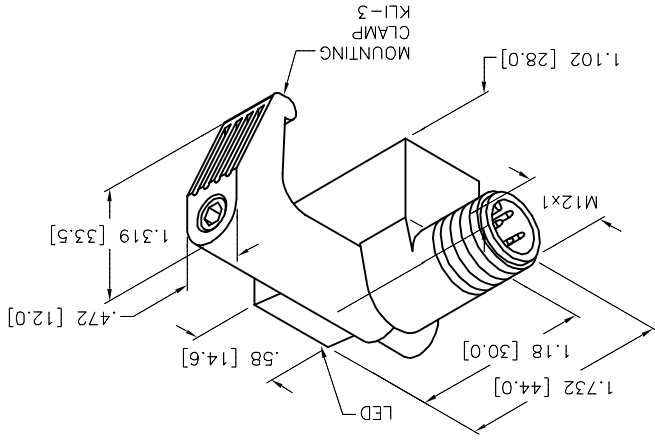


REV	DESCRIPTION	BY	DATE	ECO NO.
C	UPDATE WIRING DIAGRAM	RDS	04/30/09	26189
NOTES: 1. MOUNTING CLAMP KLI-3 INCLUDED WITH SENSOR.				
FINISH				
MATERIAL DIE CAST ZINC				
RELATED DOCUMENTS				
1.				
2.				
3.				
4.				
3RD ANGLE PROJECTION				
THIS DRAWING IS CONFIDENTIAL AND THE PROPERTY OF TURCK INC. USE OF THIS DOCUMENT WITHOUT WRITTEN PERMISSION IS PROHIBITED.				
DRFT GMB DATE 4/8/91				
DESCRIPTION BIM-IKE-AP6X-H1141 W/KLI-3				
UNIT OF MEASUREMENT INCH [ MILLIMETER ]				
IDENTIFICATION NO. S4621690				
REV				
FILE: S4621690 SHEET 1 OF 1				

SOURCE DRAWING - FOR REFERENCE ONLY

SPECIFICATIONS	
OPERATING VOLTAGE	10-30 VDC
RIPPLE	≤ 10%
HYSTERESIS (DIFFERENTIAL TRAVEL)	≤ 1 mm
VOLTAGE DROP ACROSS CONDUCTING SENSOR	≤ 2.3 V at 200 mA
OUTPUT FUNCTION	NORMALLY OPEN 3-WIRE DC SELF-CONTAINED
TTL COMPATIBLE	NO
SHORT-CIRCUIT PROTECTED	YES
TRIGGER CURRENT FOR OVERLOAD PROTECTION	≥ 220 mA
CONTINUOUS LOAD CURRENT	≤ 200 mA
LEAKAGE (OFF-STATE) CURRENT	≤ 10 $\mu$ A
NO-LOAD CURRENT	≤ 2.0 mA
TIME DELAY BEFORE AVAILABILITY	≤ 5 ms
POWER-ON EFFECT PROTECTION	INCORPORATED
POLARITY INVERSION PROTECTION	INCORPORATED
WIRE-BREAK PROTECTION	INCORPORATED
OPERATING TEMPERATURE	-25°C to +70°C (-13°F to +158°F)
ENCLOSURE	MEETS NEMA 1, 3, 4, 6, 13 AND IEC IP67
SHOCK	30 g, 11 ms
VIBRATION	55 Hz, 1 mm AMPLITUDE (IN ALL 3 PLANES)
LED FUNCTION	RED: OUTPUT ENERGIZED
SWITCHING FREQUENCY	1000 HZ
REPEATABILITY	≤ 0.1 mm AND VOLTAGE (CONSTANT TEMPERATURE)
TEMPERATURE DRIFT	≤ 0.1 mm
MAXIMUM APPROACH VELOCITY	≤ 10 m/second
MAGNETIC ACTUATION STRENGTH	20-350 GAUSS (2-35 mT)



## X-ON Electronics

Largest Supplier of Electrical and Electronic Components

*Click to view similar products for [Proximity Sensors](#) category:*

*Click to view products by [Turck](#) manufacturer:*

Other Similar products are found below :

[01.001.5653.1](#) [70.340.1028.0](#) [70.360.2428.0](#) [70.364.4828.0](#) [70.810.1053.0](#) [72.360.1628.0](#) [73.363.6428.0](#) [9221350022](#) [980659-1](#) [QT-12](#)  
[E2EX10D1NN](#) [E2E-X14MD1-G](#) [E2E-X2D1-G](#) [E2EX2ME2N](#) [E2E-X3D1-N](#) [10M](#) [E2E-X4MD1-G](#) [E2FMX1R5D12M](#) [E2K-F10MC1](#) [5M](#)  
[EI1204TBOSL-6](#) [EI5515NPAP](#) [BSA-08-25-08](#) [IC08ANC15PO-K](#) [IMM2582C](#) [25.161.3253.0](#) [25.332.0653.1](#) [25.352.0653.0](#) [25.352.0753.0](#)  
[25.523.3253.0](#) [9151710023](#) [922FS1.5C-A4P-Z774](#) [SC606ABV0S30](#) [SM952A126100LE](#) [A1220EUA-T](#) [F3S-A162-U](#) [CL18](#) [QT-08L](#)  
[34.110.0010.0](#) [TL-C2MF1-M3-E4](#) [IA08BLF15NOM5](#) [IA08BSF15NOM5](#) [IA12ASF04DOM1](#) [IMM32188C](#) [IS2](#) [IS31SE5000-UTLS2-TR](#)  
[34.110.0021.0](#) [34.110.0022.0](#) [CA150-120VACDC](#) [VM18VA3000Q](#) [XS508BSCBL2](#) [XS512BLNAM12](#)