

Product Data Sheet

670A RZ XX

Replace "XX" with 01 through 36 for number of poles

Terminal Block– Closed Back

20 Amps, 300 Volts (AC/DC), Class B



(6 Pole shown)

Copper Wire Only

Wire Range with Wire Binding Screw: #12 - #22 AWG (solid recommended)

3/8" Centers

Electrical Ratings:

- 20A with unprepared wire, (Based on NEC Table 310-16, 75°C columns)
- 20A with Listed ring lug, (Based on NEC Table 310-16, 75°C columns)
- 300 Volts AC/DC (UL 1059 Class B, Use Group – Commercial Appliances)
- 150 Volts AC/DC (UL 1059 Class C, Use Group – General Industrial)
- Short Circuit Current Rating: 10,000A (Default)
- Approved for Factory and Field Wiring.

NOTE: Use outside these ratings must be judged in end-use application

Mechanical Ratings:

- Insulator base temperature rating: -40° C/F to 130°C (266°F) UL RTI
- Flammability rating of insulator base: UL 94V-0

Materials:

- Connector (Contact): Brass, tin plated.
- Insulator base: Glass-filled polycarbonate (Thermoplastic)
- Drive screw (Rivet): Stainless steel
- Screw, #6-32 Binder head, Phil-Slot: Steel, nickel plated

Agency Approvals:

- UL Recognized, UL 1059 Terminal Block Standard, File No. XCFR2.E47811
- CSA Certified, CSA C22.2 No. 158, File No. LR19766
- CE compliant, IEC 60947-7-1
- RoHS Compliant

Wire Range:

Wire Size	Torque	Copper Wire Stranding Classes - Number of Conductors		
		Solid	Class B	Class C
12	12 in. Lbs	1	1	1
14	12 in. Lbs	1	1	1
16	12 in. Lbs	1	1	1
18	12 in. Lbs	1	1	1
20	12 in. Lbs	1	1	1
22	12 in. Lbs	1	1	1

Mounting:

Suggested product mounting hardware: #6 fastener, torque to 10-15 in. lbs.

Accessories:

- Printing: for printing options, see Terminal Block Printing
<http://marathonsp.com/CatalogPDFs/TBPrinting.pdf>

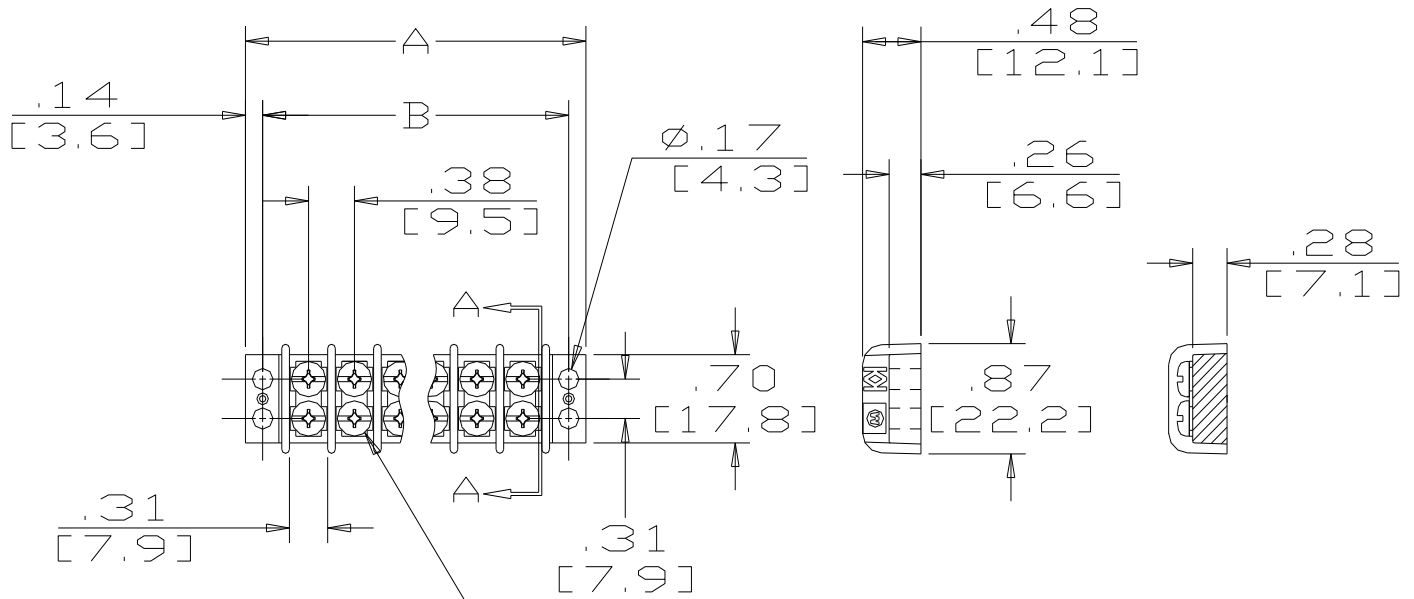
- Marking strips (Sub mounted or Top mounted)
<http://marathonsp.com/CatalogPDFs/TopMountedMS.pdf>
<http://marathonsp.com/CatalogPDFs/SubMounted.pdf>



- Cover – top mounted (May not accommodate some hardware options) .
Order CW (white) or CB (Black). Can be printed.
<http://marathonsp.com/CatalogPDFs/TopMountedCover.pdf>



- Phil-Slot Brass Screw (PSB)



#6-32 X .25 [6.4]
BD HD SCREW

Catalog No	# of Poles	Dimensions				Catalog No	# of Poles	Dimensions	
		A	B					A	B
670A RZ 01	1	1.03	0.75	X	670A RZ 19	19	7.78	7.50	
670A RZ 02	2	1.41	1.13	X	670A RZ 20	20	8.16	7.88	
670A RZ 03	3	1.78	1.50	X	670A RZ 21	21	8.53	8.25	
670A RZ 04	4	2.16	1.88	X	670A RZ 22	22	8.91	8.63	
670A RZ 05	5	2.53	2.25	X	670A RZ 23	23	9.29	9.01	
670A RZ 06	6	2.91	2.63	X	670A RZ 24	24	9.66	9.38	
670A RZ 07	7	3.28	3.00	X	670A RZ 25	25	10.04	9.76	
670A RZ 08	8	3.66	3.38	X	670A RZ 26	26	10.41	10.13	
670A RZ 09	9	4.03	3.75	X	670A RZ 27	27	10.79	10.51	
670A RZ 10	10	4.41	4.13	X	670A RZ 28	28	11.17	10.89	
670A RZ 11	11	4.78	4.50	X	670A RZ 29	29	11.54	11.26	
670A RZ 12	12	5.16	4.88	X	670A RZ 30	30	11.92	11.64	
670A RZ 13	13	5.53	5.25	X	670A RZ 31	31	12.29	12.01	
670A RZ 14	14	5.91	5.63	X	670A RZ 32	32	12.67	12.39	
670A RZ 15	15	6.28	6.00	X	670A RZ 33	33	13.05	12.77	
670A RZ 16	16	6.66	6.38	X	670A RZ 34	34	13.42	13.14	
670A RZ 17	17	7.03	6.75	X	670A RZ 35	35	13.80	13.52	
670A RZ 18	18	7.41	7.13	X	670A RZ 36	36	14.17	13.89	

WWW.MARATHONSP.COM
(419) 352-8441

X-ON Electronics

Largest Supplier of Electrical and Electronic Components

Click to view similar products for [marathon manufacturer](#):

Other Similar products are found below :

[104](#) [599-GP-2004-10](#) [600-2004-3-SP](#) [600-GP-20](#) [600TS-10](#) [601-GP-2102-02](#) [601-GP-3/4ST-12](#) [601-GPYSY-03](#) [602-GPYSY-22](#) [603-2302-04](#) [603-JJ-04](#) [603-JJ-07](#) [604-JJ-06](#) [605-GP-03SLB](#) [605-JJ-02](#) [651-XPR-13](#) [670-3/4ST-9](#) [670A-GP-3000-18](#) [670A-GP-3000-25](#) [670A-GP-3000-27](#) [670A-GP-3/4ST-10](#) [670-GP-19](#) [CW205-01C](#) [671-RZ-25](#) [672-GPY-05](#) [672-RZ-24](#) [699-GP-2102-08](#) [699-GP-2120-12](#) [6F30A3S](#) [6H38-TSKK-C](#) [6R30A3SP](#) [F600A1B](#) [F600A3B](#) [F60A1B](#) [799-6-KT28](#) [799-7-KT28](#) [FPB33588](#) [8TBJ02](#) [R30A1B](#) [RF400A3B](#) [1321970](#) [1322970CH](#) [1320972](#) [1331955](#) [1332270](#) [1332554CH](#) [1333280CH](#) [1333575CH](#) [1353701](#) [1353701CH](#)