

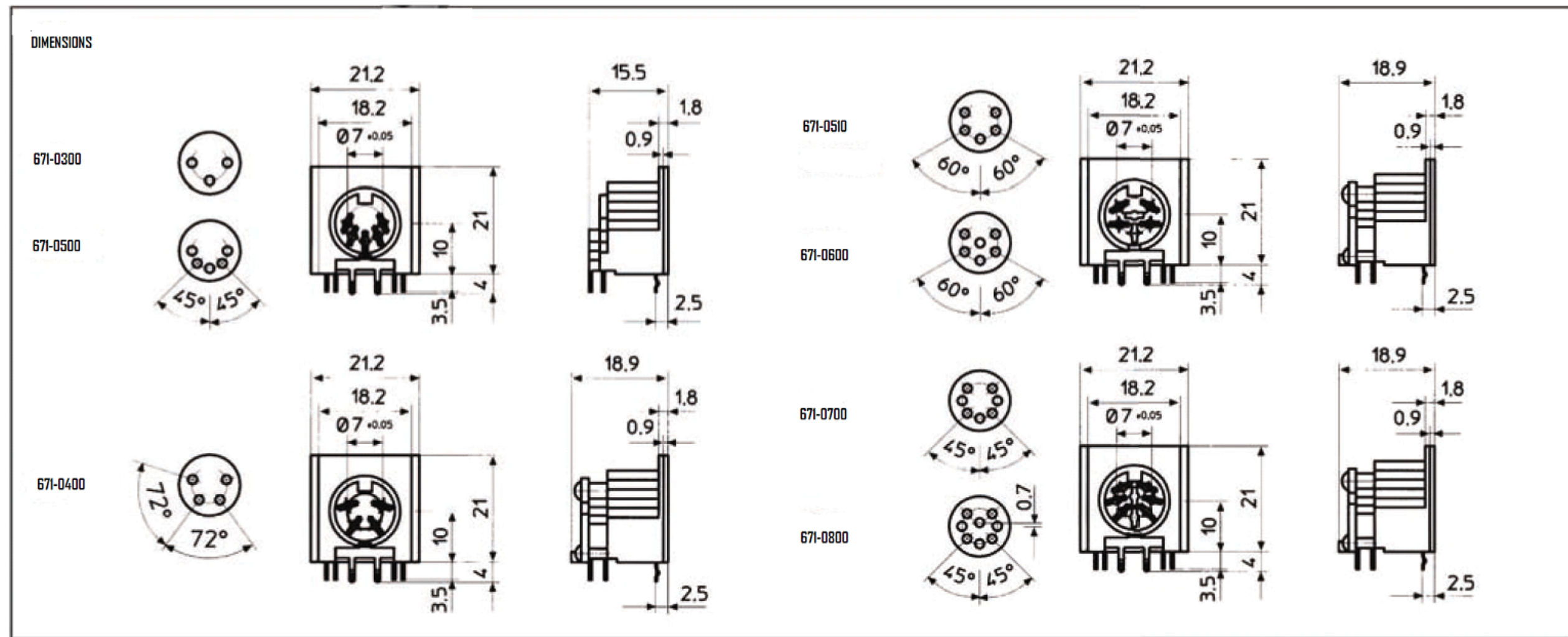
Printed circuit board - 90 Deg DIN Sockets - 671 Series

A range of right-angled printed circuit board mounting DIN sockets which enable any DIN plug to be interfaced with a PCB



Type	Deltron No
3 Way	671-0300
4 Way 72°	671-0400
5 Way 45°	671-0500
5 Way 60°	671-0510
6 Way 60°	671-0600
7 Way 45°	671-0700
8 Way 45°	671-0800

Material	Black PA66 UL94HB
Contacts	CuZn 37 + Ni +Sn
Electrical	
Rated Voltage	34 V a.c. or d.c.
Current Rating	4.A
Contact Resistance	10 mΩ max
Climatic	
Temperature Range	-25°C to +70°C



RoHS
2002/95/EC
Compliant

Tel No. +44(0)1724273200 Website www.dem-uk.com



PROPRIETARY AND CONFIDENTIAL
THE INFORMATION CONTAINED IN THIS DRAWING IS THE SOLE PROPERTY OF ALPHA 3 MANUFACTURING.
ANY REPRODUCTION IN PART OR AS A WHOLE WITHOUT THE WRITTEN PERMISSION OF ALPHA 3 MANUFACTURING IS PROHIBITED.

DEM Manufacturing, Deltron Emcon House
Hargreaves Way, Sawcliffe Ind. Park,
Scunthorpe, North Lincolnshire, DN15 8RF, UK

UNLESS OTHERWISE SPECIFIED:
DIMENSIONS ARE IN MILLIMETRES
LINEAR TOLERANCE:
NO DECIMAL PLACES ±0.5mm
1 DECIMAL PLACE ±0.25mm
2 DECIMAL PLACES ±0.125mm
ANGULAR TOLERANCE: ±1°

FINISH	DEBURR AND BREAK SHARP EDGES	DRAWN BY	W.Coxon	TITLE	PCB - DIN Sockets General Specification 671 Series
		APPROVED BY			
		THIRD ANGLE PROJECTION		SHEET 1 OF 1	DRAWING NO. 671 DIN Specification
				SCALE 1:2	ISSUE 08
MATERIAL	-		A3		Release

X-ON Electronics

Largest Supplier of Electrical and Electronic Components

Click to view similar products for [deltron](#) manufacturer:

Other Similar products are found below :

[610-0700](#) [650-0300](#) [651-0800](#) [342-0000](#) [W127G](#) [066541F](#) [066542D](#) [630-0600](#) [W205C](#) [W106C](#) [611-0700](#) [717-0400](#) [456-0020](#) [460-0070](#)
[479-0020-5](#) [486-121209-66](#) [480-C010](#) [490-170805E-68](#) [459-0080](#) [459-0140](#) [590-0700](#) [MDU14S](#) [4MP2616](#) [461-0050](#) [487-221208E-68](#)
[571-0400-01](#) [480-C040](#) [462-0020E](#) [4DR3522](#) [487-261612E-66](#) [486-261609-68](#) [466-0050](#) [356-0200](#) [702-0500](#) [711-0500](#) [552-0600](#) [WHT](#)
[800-0400](#) [487-261609E-66](#) [487-221209E-68](#) [462-0040A](#) [456-0030](#) [461-0070E](#) [490-040503A-68](#) [486-S68-2616](#) [4ELM6](#) [483-0100](#) [483-0030](#)
[480-0010](#) [466-0150](#) [455-0020](#)