

PROFESSIONAL LED INDICATORS Mounting

FEATURES



671 SERIES

PAC QUANTITY PIECE

- Black anodised aluminium housing
- RIA 12 approved versions available
- Sealed to IP67
- Large LED indication
- AC versions available upon request

SPECIFICATION

Ordering Information Typical Technical Characteristics (T_{amb} = 25°C)
 Mean Time Between Failure Hours Luminous intensity figures refer to the unmodified discrete LED

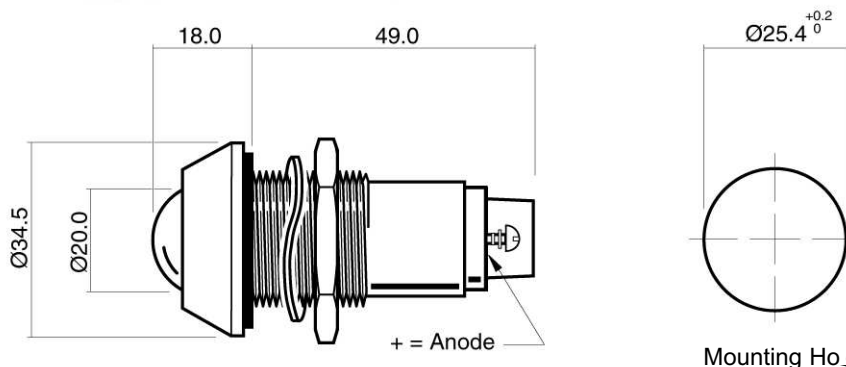
PART NUMBER	COLOUR	LENS	VOLTAGE DC (V _{opr})	CURRENT DC (I _{Aopr})	LUMINOUS INTENSITY (I _v)	WAVELENGTH (λ _p)	OPERATING TEMP (T _{opr})	STORAGE TEMP (T _{stg})	
	Red	Colour Diffused			~	~	~	~	Yes
	Yellow	Colour Diffused			~	~	~	~	Yes
	Green	Colour Diffused			~	~	~	~	Yes
	Red	Colour Diffused			~	~	~	~	Yes
	Yellow	Colour Diffused			~	~	~	~	Yes
	Green	Colour Diffused			~	~	~	~	Yes
	Red	Colour Diffused			~	~	~	~	Yes
	Yellow	Colour Diffused			~	~	~	~	Yes
	Blue	Colour Diffused			~	~	~	~	Yes
	Cool White	Colour Diffused			~	see e.g.	~	~	Yes
	Red	Colour Diffused			~	~	~	~	Yes
	Yellow	Colour Diffused			~	~	~	~	Yes
	Blue	Colour Diffused			~	~	~	~	Yes
	Cool White	Colour Diffused			~	see e.g.	~	~	Yes
UNITS			Vdc	mA	mcd	nm	°C	°C	

How to Order

Website: www.marl.co.uk Email: info@marl.co.uk
 Telephone: +44 (0)1223 311111 Fax: +44 (0)1223 311112

The information contained in this data sheet does not constitute part of any order or contract and should not be regarded as a representation relating to either products or services. MARL International reserves the right to alter, without notice, the specifications or any conditions of supply for products or services.

671 Series



Dimensions in mm (Typical)
Not to scale

Mounting Hole

Mounting hole to be non-ferrous

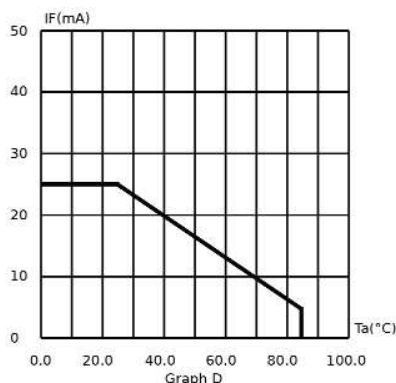
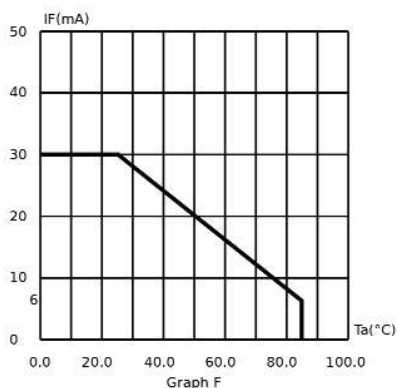
MATERIALS

Body	Black Anodised Aluminium	Lens	Epoxy
Encapsulation	PC Resin	Terminations	Zinc Plated Steel
Header	Nylon	Pin Solder	Neoprene
Lock Washer	Spring Steel	Nut	Aluminium

TECHNICAL CHARACTERISTICS

SERIES	MAXIMUM POWER DISSIPATION	PANEL CUTOUT	NUT MOUNTING TORQUE	MINIMUM MOUNTING CENTRES	MIN/MAX. PANEL THICKNESS
				mm	
UNITS			N		

DERATING INFORMATION



Website: www.marl.co.uk
Telephone: +44 (0)1223 810000

The information contained in this data sheet does not constitute part of any order or contract and should not be regarded as representation relating to either products or services. Marl International reserves the right to alter without notice the specifications or any conditions of supply for products or services.



BS EN ISO
Approved Manufacturer

X-ON Electronics

Authorized Distributor

Click to view similar products for [Marl](#) manufacturer.

Other Similar products are found below :

[10330501](#) [10330504](#) [10331101](#) [10331401](#) [10331404](#) [10333004](#) [10338120](#) [10338320](#)
[10731401](#) [10731404](#) [1100000450](#) [110155](#) [11330501](#) [11330504](#) [11331101](#) [11331104](#)
[11331401](#) [11331404](#) [1220000452](#) [2055012138](#) [2055012338](#) [2055212138](#) [2059302338](#)
[2059972138](#) [2059972238](#)