

# 233-100-H2 Box mount hermetic receptacle

## MIL-DTL-38999 Series III type

How To Order: Commercial						
Sample Part Number	233-100			-H2	Z1	11-35 P N
Series / Basic Part No.	Series 23 SuperNine® Hermetic Receptacle					
Connector Style	H2 = Box Mount					
Finish	Z1 = CRES, Passivated ZL = CRES, Nickel Finish					
Shell Size-Insert Arrangement*	Per MIL-STD-1560					
Contact Type	P = Pin, Solder Cup X = Pin, Eyelet C = Pin, PCB Flex Feedthru		S = Socket, Solder Cup Z = Socket, Eyelet D = Socket, PCB Flex Feedthru			
Alternate Key Position*	A, B, C, D, E, N = Normal					

\*Refer to Section A for complete details

Modification codes may be added directly to the end of any valid part number

D

Connector Dimensions							
Shell Size Code	Shell Size	A Thread	B Sq ±.012(0.3)	C Bsc	D Bsc	E ±.008(0.2)	F ±.008(0.2)
A	9/09	.6250-.1P-.3L-TS-2A	.937(23.8)	.719(18.3)	.594(15.1)	.128(3.3)	.216(5.5)
B	11	.7500-.1P-.3L-TS-2A	1.031(26.2)	.812(20.6)	.719(18.3)	.128(3.3)	.194(4.9)
C	13	.8750-.1P-.3L-TS-2A	1.126(28.6)	.906(23.0)	.812(20.6)	.128(3.3)	.194(4.9)
D	15	1.0000-.1P-.3L-TS-2A	1.220(31.0)	.969(24.6)	.906(23.0)	.128(3.3)	.194(4.9)
E	17	1.1875-.1P-.3L-TS-2A	1.311(33.3)	1.062(27.0)	.969(24.6)	.128(3.3)	.194(4.9)
F	19	1.2500-.1P-.3L-TS-2A	1.437(36.5)	1.156(29.4)	1.062(27.0)	.128(3.3)	.194(4.9)
G	21	1.3750-.1P-.3L-TS-2A	1.563(39.7)	1.250(31.8)	1.156(29.4)	.128(3.3)	.194(4.9)
H	23	1.5000-.1P-.3L-TS-2A	1.689(42.9)	1.375(34.9)	1.250(31.8)	.154(3.9)	.242(6.1)
J	25	1.6250-.1P-.3L-TS-2A	1.811(46.0)	1.500(38.1)	1.375(34.9)	.154(3.9)	.242(6.1)

Connector Dimensions (Continued)					
Shell Size Code	Shell Size	Ø G Holes ±.005(0.1)	Ø H Min	Ø J Min	K ±.005(0.1)
A	9/09	.128(3.3)	.656(16.7)	.516(13.1)	.719(18.3)
B	11	.128(3.3)	.781(19.8)	.625(15.9)	.812(20.6)
C	13	.128(3.3)	.921(23.4)	.750(19.1)	.906(23.0)
D	15	.128(3.3)	1.047(26.6)	.906(23.0)	.968(24.6)
E	17	.128(3.3)	1.218(30.9)	1.016(25.8)	1.062(27.0)
F	19	.128(3.3)	1.296(32.9)	1.142(35.9)	1.156(29.4)
G	21	.128(3.3)	1.421(36.1)	1.266(32.2)	1.250(31.8)
H	23	.154(3.9)	1.546(39.3)	1.375(34.9)	1.375(34.9)
J	25	.154(3.9)	1.672(42.5)	1.484(37.7)	1.500(38.1)

Contact Size & Diameter	
PRINTED CIRCUIT TAIL CONFIGURATIONS CONTACT STYLE C AND D	
Contact Size	Ø P
22D	.011 (0.28) .015 (0.38)
20	.024 (0.61) .028 (0.71)
16	.0635 (1.61) .0615 (1.56)
12	.095 (2.41) .093 (2.36)

Hermetic Leak Rate Mod Codes	
Designator	Required Leak Rate
-585A	1 x 10 <sup>-10</sup> cc Helium per second
-585B	1 x 10 <sup>-9</sup> cc Helium per second
-585C	1 x 10 <sup>-8</sup> cc Helium per second

Wire Accommodation	
Contact Size	Wire Gauge
22D	#22 - #28
20	#20 - #24
16	#16 - #20
12	#12 - #14

# SuperNine® Hermetic connectors

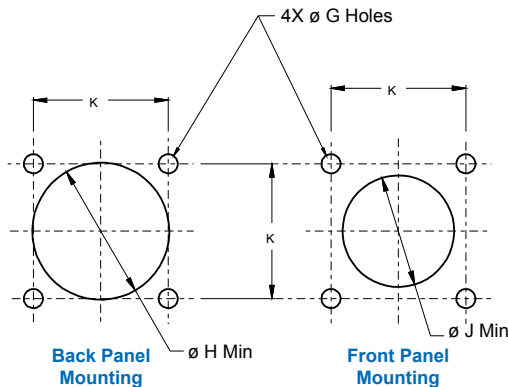
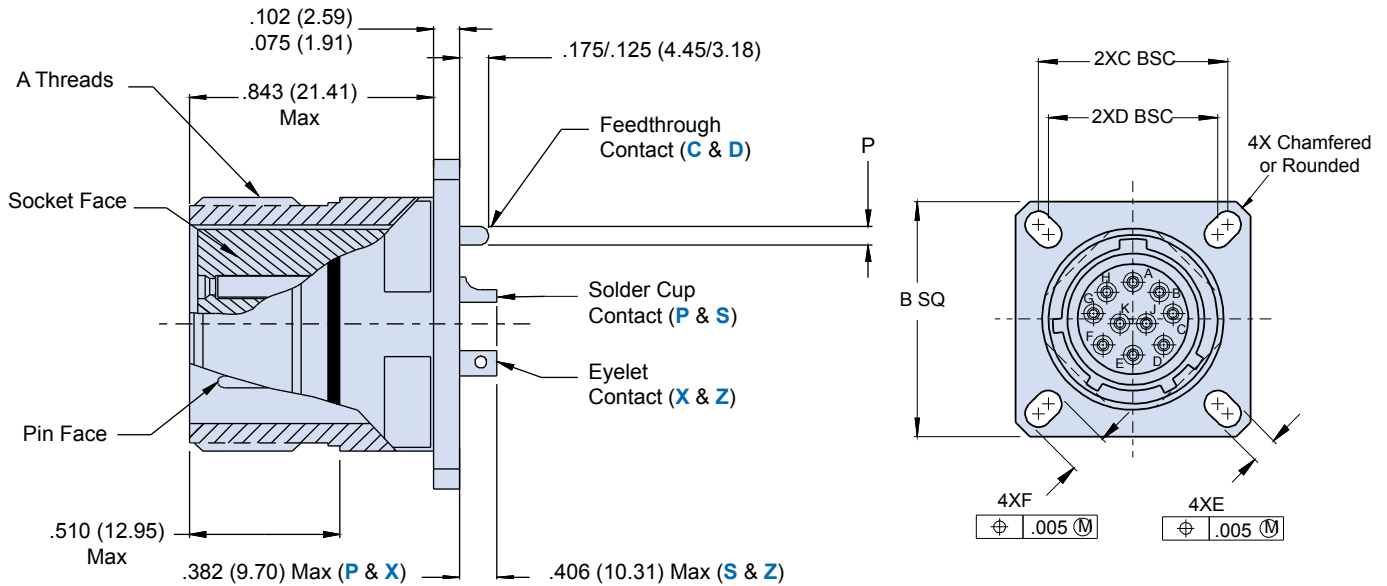
## D38999/21 Box mount hermetic receptacle

### MIL-DTL-38999 Series III QPL



How To Order: MS						
Sample Part Number	D38999	/21	Y	B-35	P	N
Series / Basic Part No.	MIL-DTL-D38999 Series III Type					
Connector Style	/21 = Box Mount					
Finish	Y = CRES, Passivated N = CRES, Nickel Finish					
Shell Size - Insert Arrangement*	Per MIL-STD-1560					
Contact Type	P = Pin, Solder Cup		S = Socket, Solder Cup			
	X = Pin, Eyelet		Z = Socket, Eyelet			
	C = Pin, PCB Flex Feedthru		D = Socket, PCB Flex Feedthru			
Alternate Key Position*	A, B, C, D, E, N = Normal					

**\*Refer to Section A for complete details**  
Modification codes may be added directly to the end of any valid part number



Mates With	
Plug Part Number	Description
233-105SG6	SuperNine® plug with single integrated band porch
233-105BG6	SuperNine® plug with integrated band porch and boot groove
233-105DG6	SuperNine® plug with double integrated band porch
233-105-G6	SuperNine® plug with accessory attachment threads

D

## X-ON Electronics

Largest Supplier of Electrical and Electronic Components

*Click to view similar products for [Circular MIL Spec Connector](#) category:*

*Click to view products by [Glenair](#) manufacturer:*

Other Similar products are found below :

[89075GULPR](#) [0025-262-542](#) [0025-264-3014](#) [58-570121-04S](#) [0134-213-1208](#) [0134-213-2209](#) [0025-258-000](#) [60-042022-07P](#) [60-042022-19P](#)  
[60-042022-23P](#) [60-042217-10P](#) [0114-201-1278](#) [012-0467-000](#) [602GB06EG24-61SN](#) [0134-201-1207](#) [0134-213-1006](#) [6104-207-2302](#) [6104-](#)  
[208-1902](#) [61-168211-04P](#) [61-168617-10P](#) [6131-202-19149P](#) [6131-204-21149P](#) [6131-208-13149P](#) [6131-209-17149P](#) [6131-210-11149P](#) [6131-](#)  
[211-19149P](#) [6131-216-19149P](#) [6131-259-21149P](#) [6131-259-23149P](#) [6131-265-17149P](#) [6131-265-19149P](#) [CS3100A18-1P-472](#) [CS3100A-36-](#)  
[77P](#) [CS3101A-16-55P](#) [CS3102A-10SL-55P](#) [CS3102A-14S-58P](#) [CS3102A-32-17P](#) [CS3102A32-25S](#) [CS3102C18-4P-472](#)  
[CS3106A10SL3S004](#) [CS3106A-18-73S](#) [CS3108A-14S-52S](#) [CS3108A-28-51S](#) [6162-233-1277](#) [6162-324-1231](#) [M243082296Z](#)  
[M2884010AC1S1](#) [CT0-24-10SC](#) [CT0M20-7PCAU](#) [M28840/17AC1G3](#)