

# ENERGIZER CR1216

## Lithium Coin

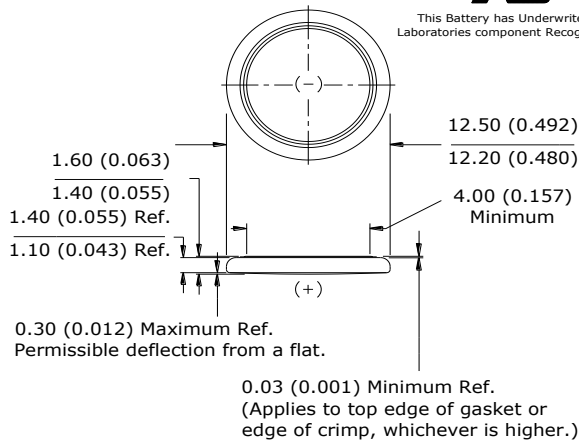


### Industry Standard Dimensions

mm (inches)



This Battery has Underwriters Laboratories component Recognition



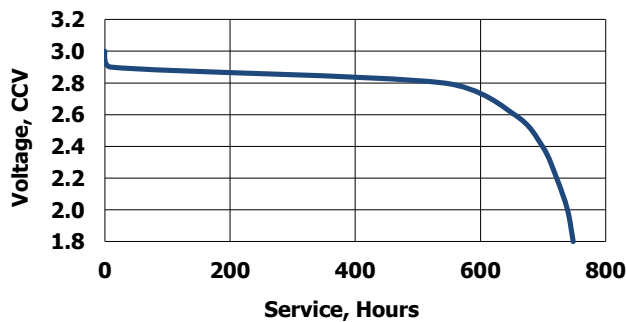
### Simulated Application test

Typical Performance at 21°C (70°F)

Schedule:	Typical Drains: at 2.85V (mA)	Load (ohms)	Cutoff 2.0V (hours)
Continuous	0.046	62,000	739

### Typical Discharge Characteristics

Load: 62,000 ohms - Continuous  
Typical Drain @ 2.85V: 0.046 mA

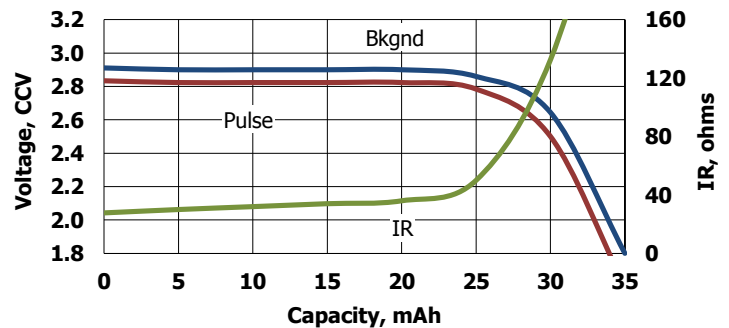


### Internal Resistance Characteristics

Pulse Test at 21°C (70°F)

**Bkgnd Drain:** Continuous  
62K ohms  
0.046 mA @2.85V

**Pulse Drain:** 2 seconds X 12 times/day  
1K ohms  
2.8 mA @2.8V



### Specifications

<b>Classification:</b>	"Lithium Coin"
<b>Chemical System:</b>	Lithium / Manganese Dioxide (Li/MnO <sub>2</sub> )
<b>Designation:</b>	ANSI-5034LC, IEC-CR1216
<b>Nominal Voltage:</b>	3.0 Volts
<b>Typical Capacity:</b>	34 mAh (to 2.0 volts) (Rated at 62K ohms at 21°C)
<b>Typical Weight:</b>	0.6 grams (0.02 oz.)
<b>Typical Volume:</b>	0.2 cubic centimeters (0.01 cubic inch)
<b>Max Rev Charge:</b>	1 microampere
<b>Energy Density:</b>	118 milliwatt hr/g, 413 milliwatt hr/cc
<b>Typical Li Content:</b>	0.008 grams (0.0003 oz.)
<b>UL Recognized:</b>	MH29980
<b>Operating Temp:</b>	-30C to 70C
<b>Self Discharge:</b>	~1% / year

### Safety:



**(1) KEEP OUT OF REACH OF CHILDREN.** Swallowing may lead to serious injury or death in as little as 2 hours due to chemical burns and potential perforation of the esophagus. **Immediately see doctor; have doctor phone (202) 625-3333.**

**(2) Battery compartment design.** To prevent children from removing batteries, battery compartments should be designed with one of the following methods: a) a tool such as screwdriver or coin is required to open battery compartment or b) the battery compartment door/cover requires the application of a minimum of two independent and simultaneous movements of the securing mechanism to open by hand. Screws should remain captive with the battery door or cover.

Pack Quantity : 1  
Manufacturers Part Number : E300163400

## **X-ON Electronics**

Largest Supplier of Electrical and Electronic Components

*Click to view similar products for [energizer manufacturer](#):*

Other Similar products are found below :

[1215F2X3](#) [E11A B2](#) [LR43 186](#) [AC13](#) [AC675](#) [3LR12](#) [603298](#) [625302](#) [625304](#) [638006](#) [639830](#) [S9025](#) [7638900426687](#) [7638900414660](#)  
[E92 MAX](#) [E91 MAX](#) [HARD CASE RECHARGEABLE](#) [HARD CASE PRO MULTI USE](#) [HCHD311](#) [S9029](#) [639826](#) [603386](#) [HARD CASE](#)  
[PROFF 4AA](#) [HARDCASE PRO HEADLIGHT](#) [639618](#) [RCLINM2WR](#) [S8865](#) [S8707](#) [S8100](#) [7638900424478](#) [7638900313130](#) [626177](#)  
[E300116200](#) [639838](#) [HARDCASE PRO WORK LIGHT](#) [603305](#) [E300280600](#) [METAL LED 6AA](#) [S8864](#) [HDD32E](#) [MS2AALED](#)  
[ENERGIZERÂ® 2-IN-1 LANTERN HANDHELD](#) [E300124200](#) [E300171700](#) [ENFFL81E](#) [E300112600](#) [633474](#) [HDA32E](#) [7638900421422](#)  
[HARD CASE PRO PIVOT](#)