

**Farnell Order Code 725-6139**

**Vishay Tedea-Huntleigh Part Number 1022M-3M-F-106**

**25/07/2011**

1022 is the Model Number

M means metric threads (M6)

3M means 3Kg capacity

F designates the accuracy grade (0.05% total error)

The correct current Part Number is:

1022-0003-F000

We have them in stock in our UK Basingstoke warehouse

Best wishes

**John**

John G Goodson

Managing Director

Vishay Measurements Group UK Ltd

Phone: +44 (0) 1256 859430

Fax: +44 (0) 1256 471441

Mobile: +44 (0) 7747 638 668

e-mail: [john.goodson@vishaypg.com](mailto:john.goodson@vishaypg.com)

Web: [www.vishayPG.com](http://www.vishayPG.com)

## Single Point Aluminum Load Cell



### FEATURES

- Capacity range: 3 - 200kg
- Only 22 mm high
- Aluminum construction
- Single point 350 x 350mm platform
- IP66 protection
- OIML R60 and NTEP approved

### OPTIONAL FEATURES

- EEx ia IIC T4 - ATEX hazardous area approval
- FM approval
- Symmetric configuration available

### DESCRIPTION

Model 1022 is a low profile single point load cell designed for direct mounting in low cost weighing platforms.

Its small physical size, combined with high accuracy and aluminum construction, makes this low cost load cell ideally suited for retail, bench and counting scales.

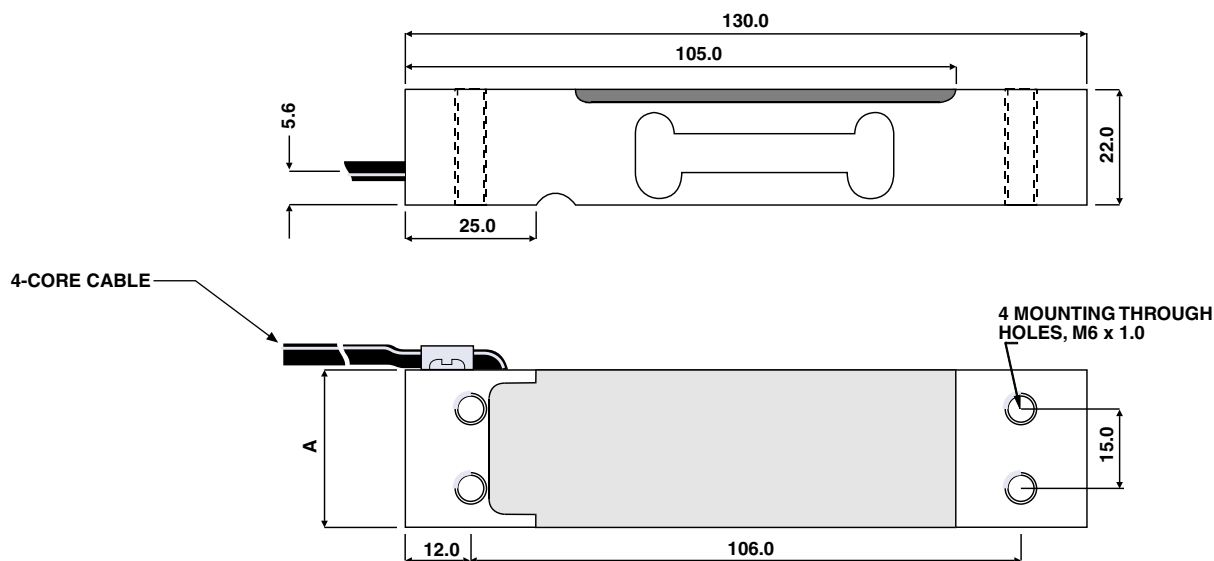
Using 1022 load cells simplifies scale construction, which results in significant parts and labor savings.

Available in a range of capacities, from 3 to 200kg and approved to OIML R60 (4000d) or NTEP (5000d, single). Environmental protection to IP66 is provided as standard. For hazardous environments, ATEX EEx ia IIC T4 approved versions are available.

### APPLICATIONS

- Bench scales
- Counting scales
- Grocery scales

### OUTLINE DIMENSIONS in mm



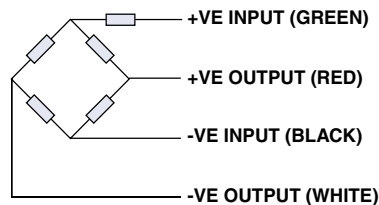
CAPACITY	A
3, 5, 7kg	25.4
10, 15, 20, 30kg	30.0
35 - 200kg	40.0

**SPECIFICATIONS**

PARAMETER	VALUE				UNIT
Rated capacity-R.C. ( $E_{max}$ )	3, 5, 7, 10, 15, 20, 30, 35, 50, 100, 150, 200***				kg
NTEP/OIML Accuracy class	<b>NTEP</b>	<b>Non-Approved</b>	<b>C3*</b>	<b>C4</b>	
Maximum no. of intervals (n)	5000 single**	1000	3000	4000	
$Y = E_{max}/V_{min}$	10000	1400	6000	10000	Maximum available 12000
Rated output-R.O.	2.0				mV/V
Rated output tolerance	0.2				±mV/V
Zero balance	0.2				±mV/V
Zero Return, 30 min.	0.0330	0.0300	0.0170	0.0125	±% of applied load
Total Error (per OIML R60)	0.0200	0.0500	0.0200	0.0150	±% of rated output
Temperature effect on zero	0.0023	0.0100	0.0023	0.0014	±% of rated output/°C
Temperature effect on output	0.0010	0.0030	0.0010	0.00075	±% of applied load/°C
Eccentric loading error	0.0057	0.0085	0.0057	0.0042	±% of rated load/cm
Temperature range, compensated	-10 to +40				°C
Temperature range, safe	-20 to +70				°C
Maximum safe central overload	150				% of R.C.
Ultimate central overload	300				% of R.C.
Excitation, recommended	10				Vdc or Vac rms
Excitation, maximum	15				Vdc or Vac rms
Input impedance	415±15				Ohms
Output impedance	350±3				Ohms
Insulation resistance	>2000				Mega-Ohms
Cable length	0.5				m
Cable type	4 wire, PVC, single floating screen				Standard
Construction	Aluminum				
Environmental protection	IP66				
Platform size (max)	350 x 350				mm
Recommended torque	Up to 30kg: 7.0 35kg & up: 10.0				N*m

- \* 50% utilization
- \*\* Also available at 50% utilization
- \*\*\* 150-200kg are not approved by NTEP, 200kg is not approved by OIML

**WIRING SCHEMATIC DIAGRAM  
(UNBALANCED BRIDGE CONFIGURATION)**



### Disclaimer

ALL PRODUCTS, PRODUCT SPECIFICATIONS AND DATA ARE SUBJECT TO CHANGE WITHOUT NOTICE.

Vishay Precision Group, Inc., its affiliates, agents, and employees, and all persons acting on its or their behalf (collectively, "Vishay Precision Group"), disclaim any and all liability for any errors, inaccuracies or incompleteness contained herein or in any other disclosure relating to any product.

The product specifications do not expand or otherwise modify Vishay Precision Group's terms and conditions of purchase, including but not limited to, the warranty expressed therein.

Vishay Precision Group makes no warranty, representation or guarantee other than as set forth in the terms and conditions of purchase. **To the maximum extent permitted by applicable law, Vishay Precision Group disclaims (i) any and all liability arising out of the application or use of any product, (ii) any and all liability, including without limitation special, consequential or incidental damages, and (iii) any and all implied warranties, including warranties of fitness for particular purpose, non-infringement and merchantability.**

Information provided in datasheets and/or specifications may vary from actual results in different applications and performance may vary over time. Statements regarding the suitability of products for certain types of applications are based on Vishay Precision Group's knowledge of typical requirements that are often placed on Vishay Precision Group products. It is the customer's responsibility to validate that a particular product with the properties described in the product specification is suitable for use in a particular application.

No license, express, implied, or otherwise, to any intellectual property rights is granted by this document, or by any conduct of Vishay Precision Group.

The products shown herein are not designed for use in life-saving or life-sustaining applications unless otherwise expressly indicated. Customers using or selling Vishay Precision Group products not expressly indicated for use in such applications do so entirely at their own risk and agree to fully indemnify Vishay Precision Group for any damages arising or resulting from such use or sale. Please contact authorized Vishay Precision Group personnel to obtain written terms and conditions regarding products designed for such applications.

Product names and markings noted herein may be trademarks of their respective owners.

## **X-ON Electronics**

Largest Supplier of Electrical and Electronic Components

*Click to view similar products for [tedea](#) manufacturer:*

Other Similar products are found below :

[1022M-10M-F-106](#)