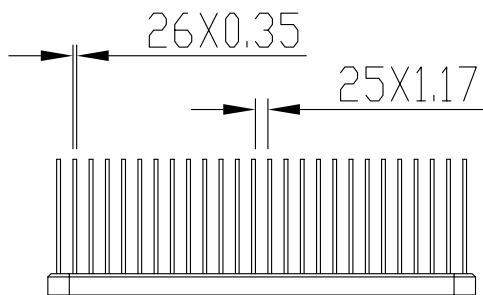
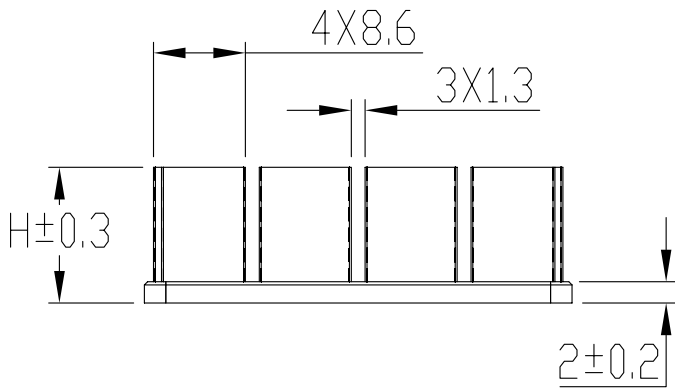
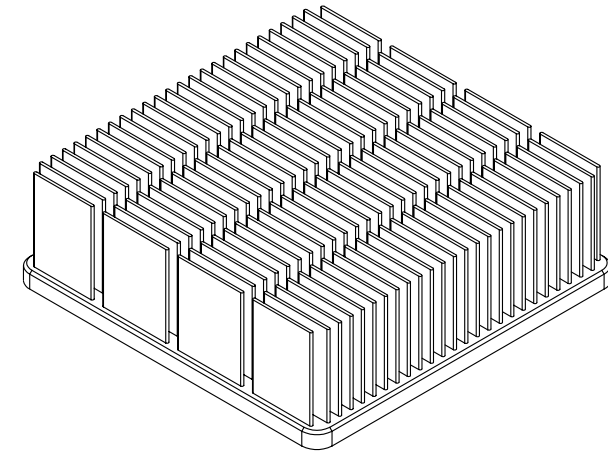
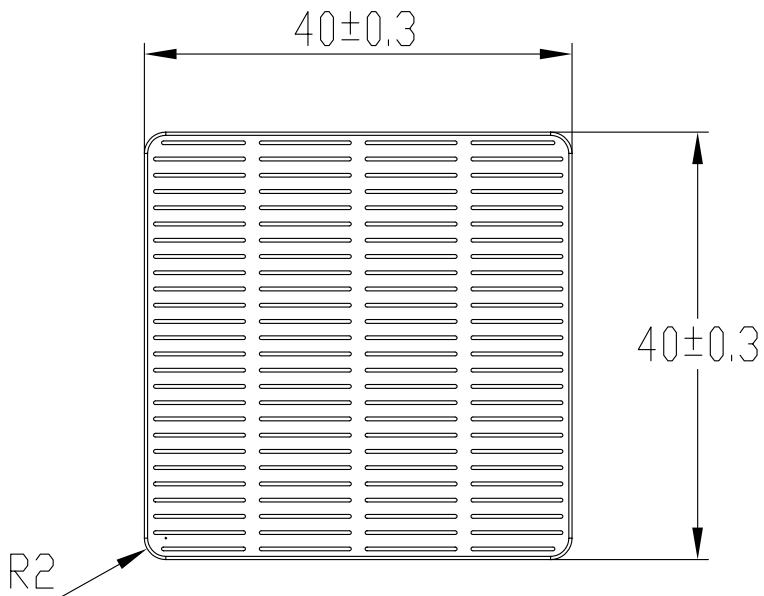


REV	ALTERATION	DATE	CHECKED
A	NEWRELEASE	03.17.2006	Wen
B			
C			
D			
E			




NOTES:

MODEL NO:	HEIGHT / H
MBH40001-6L/2.0	6.3
MBH40001-10L/2.0	9.5
MBH40001-13L/2.0	12.7

UNIT: MM

TOLERANCE TABLE
X. = $\pm 0.30$
X.X = $\pm 0.20$
X.XX = $\pm 0.10$
ANGLE = $\pm 1^\circ$

FINISH: BLACK ANODIZE	 <b>MALICO INC.</b>			
MATERIAL: AL6063				
DATE: 03.17.2006	APPROVED: Sammy	CHECKED: Audi	DRAWN: Wen	REV: A
TITLE: HEAT SINK	MODEL NO: MBH40001-XXL/2.0			

## **X-ON Electronics**

Largest Supplier of Electrical and Electronic Components

*Click to view similar products for [malico](#) manufacturer:*

Other Similar products are found below :

[MBH30001-13L/2.0](#) [CMBA024949](#) [MBH375002-12P/2.6](#) [CEBF0145451601-00](#) [CL-Y-35X35](#) [MBH42.5002-12P/2.6](#)