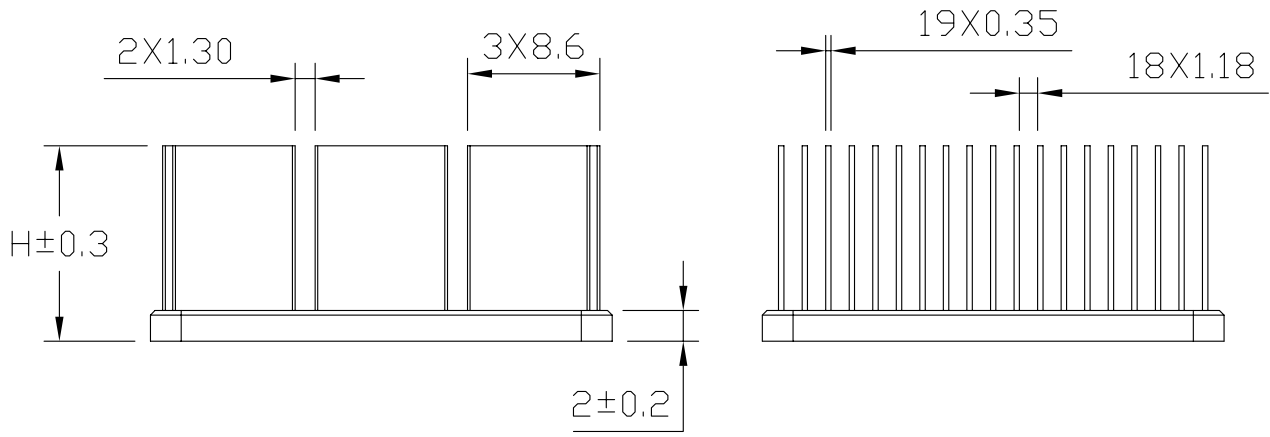
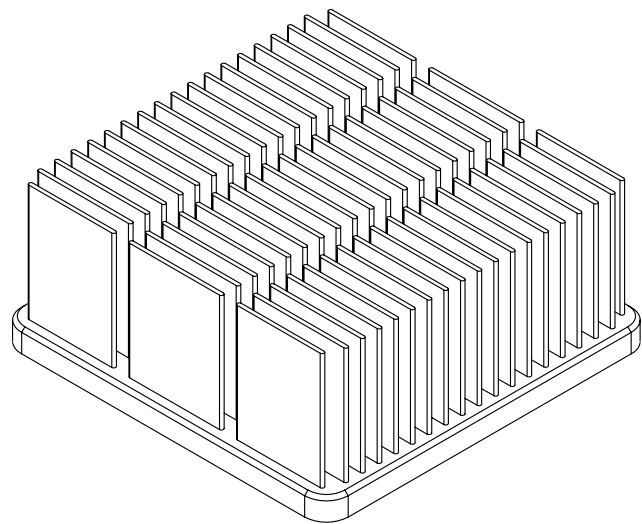
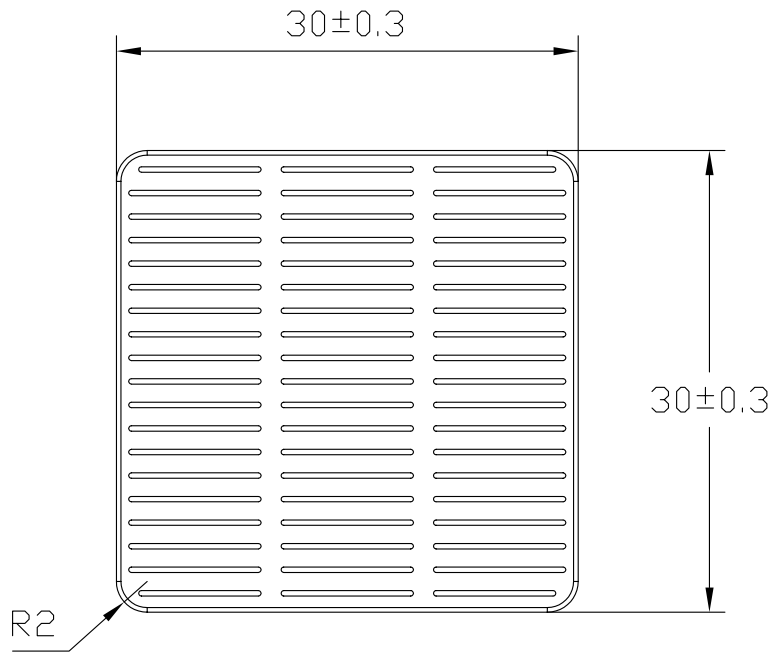



REV	ALTERATION	DATE	CHECKED
A	NEWRELEASE	03.17.2006	Wen
B			
C			
D			
E			



NOTES:

MODEL NO:	HEIGHT / H
MBH30001-6L/2.0	6.3
MBH30001-10L/2.0	9.5
MBH30001-13L/2.0	12.7

UNIT: MM	
TOLERANCE TABLE	
X.	± 0.30
X.X	± 0.20
X.XX	± 0.10
ANGLE	± 1°

FINISH: BLACK ANODIZE	 MALICO INC.			
MATERIAL: AL6063				
DATE: 03.17.2006	APPROVED: Sammy	CHECKED: Audi	DRAWN: Wen	REV: A
TITLE: HEAT SINK	MODEL NO: MBH30001-XXL/2.0			

X-ON Electronics

Largest Supplier of Electrical and Electronic Components

Click to view similar products for [malico](#) manufacturer:

Other Similar products are found below :

[MBH30001-13L/2.0](#) [CMBA024949](#) [MBH375002-12P/2.6](#) [CEBF0145451601-00](#) [CL-Y-35X35](#) [MBH42.5002-12P/2.6](#)