

HIGH CURRENT MULTILAYER CHIP BEAD

ACML-0603H



RoHS
Compliant



1.6 x 0.8 x 0.8mm

FEATURES:

- Multilayer monolithic structure yields high reliability
- Unique terminal electrode structure ensures permissible currents
- High impedance over a wide frequency range

APPLICATIONS:

- Audio & Video Equipment
- Automotive Electrical Equipment
- Communication Equipment
- OA Equipment

STANDARD SPECIFICATIONS:

PARAMETERS

ABRACON P/N:	ACML-0603H-xxx Series
Operating temperature:	-55°C to + 125°C
Storage temperature:	-55°C to + 125°C

Part Number	Z (Ω)	Test Freq	Rdc	I _r
	±25%	MHz	Ω Max	mA Max
ACML-0603H-050	5	100	0.03	2000
ACML-0603H-110	11	100	0.03	2000
ACML-0603H-310	31	100	0.05	1500
ACML-0603H-600	60	100	0.08	1500
ACML-0603H-121	120	100	0.1	1200
ACML-0603H-221	220	100	0.15	1000
ACML-0603H-301	300	100	0.2	1000
ACML-0603H-501	500	100	0.28	800
ACML-0603H-601	600	100	0.35	800

I_r: Rated current applied when the chip surface temperature rise 20°C

OPTIONS AND PART IDENTIFICATION:

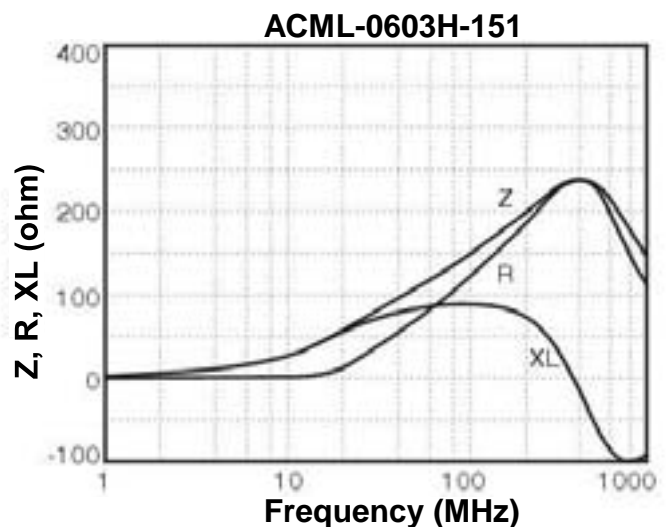
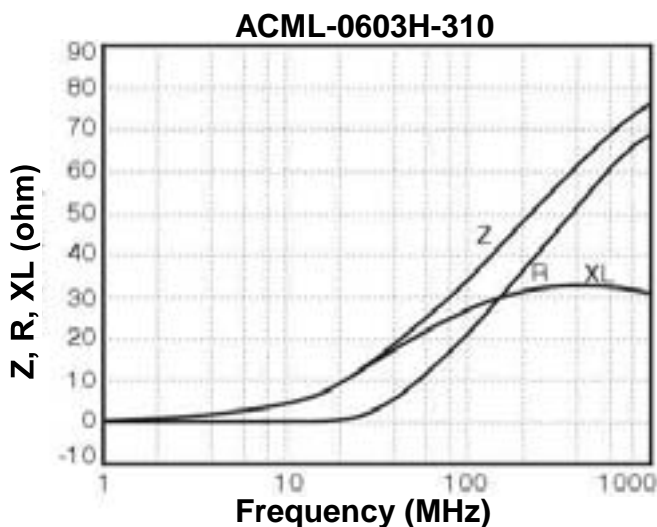
(Left blank if standard)

ACML - 0603H - □□□ - □

Impedance
Please refer to the tables above.

Packaging
T Tape and Reel

TYPICAL ELECTRICAL CHARACTERISTICS:



ABRACON IS
ISO 9001 / QS 9000
CERTIFIED



Visit www.abracon.com for Terms & Conditions of Sale **Revised: 02.08.08**
30332 Esperanza, Rancho Santa Margarita, California 92688
tel 949-546-8000 | fax 949-546-8001 | www.abracon.com

HIGH CURRENT MULTILAYER CHIP BEAD

ACML-0603H

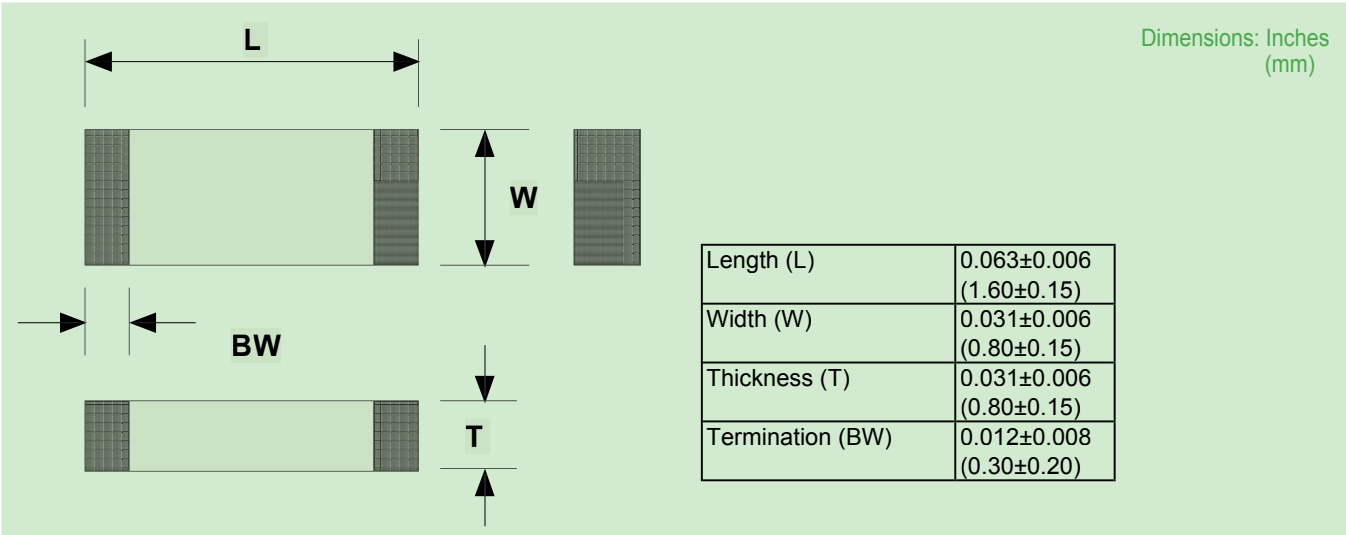


RoHS
Compliant



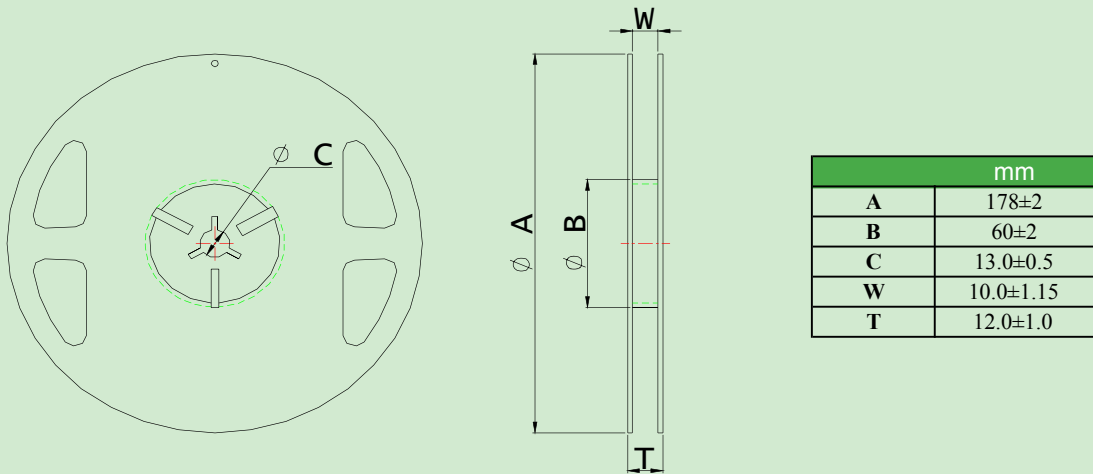
1.6 x 0.8 x 0.8mm

OUTLINE DRAWING:

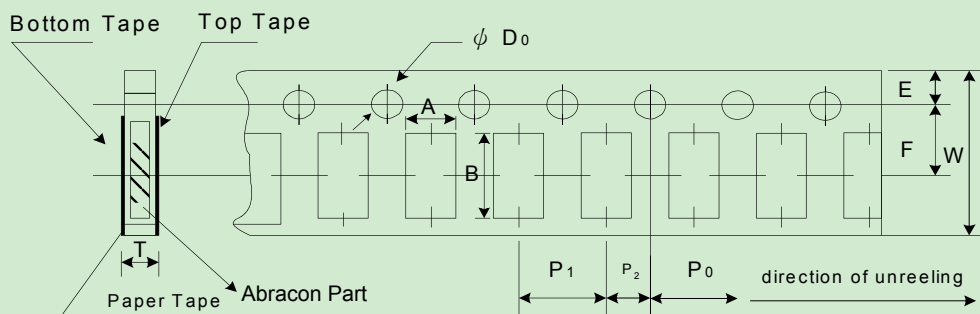


TAPE & REEL: Tape and reel 4,000pcs/reel

Dimensions of Reel



Dimensions of Tape



Codes	A	B	W	E	F
ACML-0603H	1.05±0.15	1.90±0.15	8.00±0.3	1.75±0.1	4.0±0.1

Codes	P ₀	P ₁	P ₂	ΦD ₀	T
ACML-0603H	4.00±0.10	4.00±0.10	2.00±0.05	1.55±0.05	1.0±0.03

Dimension: mm

ABRACON IS
ISO 9001 / QS 9000
CERTIFIED



Visit www.abracon.com for Terms & Conditions of Sale **Revised: 02.08.08**
30332 Esperanza, Rancho Santa Margarita, California 92688
tel 949-546-8000 | fax 949-546-8001 | www.abracon.com

X-ON Electronics

Largest Supplier of Electrical and Electronic Components

Click to view similar products for [abracon](#) manufacturer:

Other Similar products are found below :

[ABLS-12.000MHZ-B2Y-T](#) [ASGTX-BLANK](#) [ABLNO-122.880MHz](#) [ABLNO-V-96.000MHZ](#) [ABLS-10.240MHZ-B4-T](#) [ABLS2-3.6864MHZ-D4Y-T](#) [ABLS-30.000MHZ-L4QF-T](#) [ACHL-18.432MHZ-EK](#) [AOCJY2-100.000MHz-F](#) [ARRSN5-868.000MHz](#) [ASEMPLP- ADAPTER-KIT](#) [ASFLMPLV- ADAPTER-KIT](#) [ASGTX-P-1.000GHz-1](#) [AST3TQ-T-24.576MHz-50-C](#) [ASTMLPD-24.000MHz-LJ-E-T](#) [ABLJO-V-150.000MHz](#) [ABM2-16.000MHZ-D4Y-T](#) [ABM8G-12.000MHZ-B4Y-T3](#) [AIRD-06-101K](#) [AOCJY6-10.000MHz-1](#) [ASG-C-V-A-50.000MHz](#) [ASG-D-V-A-500.000MHz](#) [ASHEK2-32.768KHZ-LT](#) [AXS-5032-04-12](#) [AIML-0805-470K-T](#) [AOCJY3A-10.000MHZ-E](#) [ASFL1-50.000MHZ-EK-T](#) [ASVTX-09-16.000MHZ-T](#) [AOCTQ5-X-10.000MHz-M10-SW](#) [AMPMAFB-19.2000T](#) [ABL-10.000MHZ-D-T](#) [ABM3B-27.120MHZ-10-D2H-T](#) [EP1400SJETTSC-11.0592M](#) [EP1400SJETTSC-2.000M](#) [EHH1100TS-13.560M](#) [ABL-16.384MHZ-B2](#) [ABLJO-V-155.520MHZ](#) [ABM3B-26.000MHZ-10-D-1-G-T](#) [AIRD-01-680K](#) [AOCJY-10.000MHz](#) [AOCJY2-10.000MHz](#) [AOCJY3-40.000MHZ-E](#) [AOCJY-38.880MHZ-F](#) [AOCJY3A-100.000MHz-E](#) [APAMS-119](#) [ASG2-D-X-A-1000.000MHz](#) [ASG-D-X-A-200.000MHz](#) [ASGTX-P-1.500GHz-1](#) [ASVMPHC-ADAPTER-KIT](#) [AXS-3225-04-04](#)