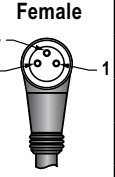
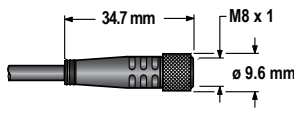
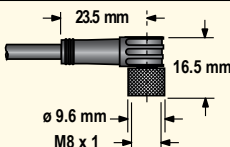


3-Pin Threaded Pico-Style Cables

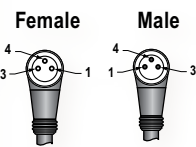
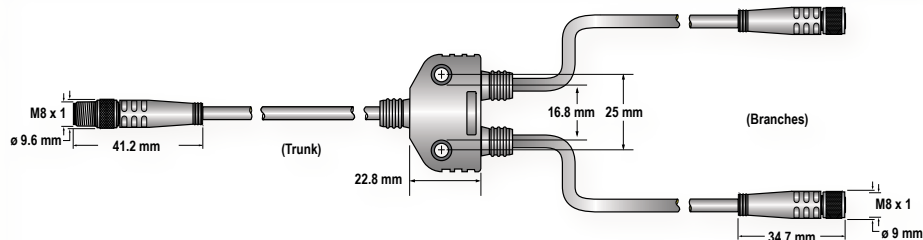
Cable: PVC jacket, 3 x 24 AWG
Conductors: PUR (polyurethane) body, nickel-plated brass coupling nut, gold-plated contacts
Voltage/Current Rating: 125V ac/300V dc, 4.0 A
Temperature: +105° C

Pinout	Style	Model	Length	Dimensions	Used With
 <p>Female</p> <p>1=Brown 3=Blue 4=Black</p>	Straight	PKG3M-2	2 m		<ul style="list-style-type: none"> • T8 • VS1 • VS2 • VS3 • VS4 • SLM • IP68 Sealed Ring Lights (Nickel-plated) • IP68 Sealed Ring[†] Lights (stainless steel) • On-axis Lights
		PKG3M-4 [†]	4 m		
PKG3M-7 [†]		7 m			
PKG3M-9		9 m			
PKG3M-10 [†]		10 m			
	Right-Angle	PKW3M-2	2 m		
		PKW3M-9	9 m		

[†] IP68 stainless steel models require a cable with a stainless steel connector. For a stainless steel connector, add **V** to the model number (example, **PKG3M-4V**).

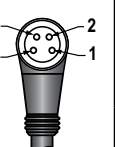
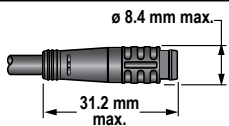
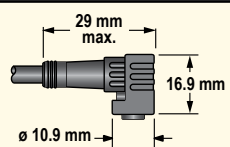
3-Pin Pico-Style Splitter Cables

Cable: PVC jacket, 3 x 24 AWG
Conductors: PUR (polyurethane) body, nickel-plated brass coupling nut, gold-plated contacts
Voltage/Current Rating: 125V ac/300V dc, 4.0 A
Temperature: +105° C

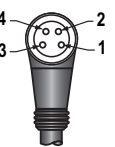
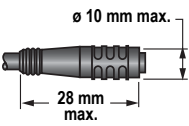
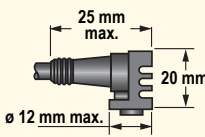
Connections				
Pinout	Model	Branches	Trunks	Used With
 <p>Female Male</p> <p>1=Brown 3=Blue 4=Black</p>	CSB-M831M831	3-Pin Pico QD 2 x 0.2 m Female	0.2 m Male	<ul style="list-style-type: none"> • Ring Lights • Spot Lights • Area Lights • Backlights
				

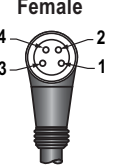
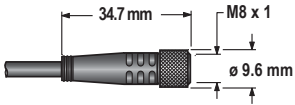
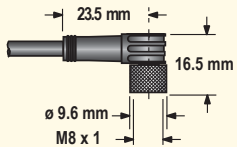
4-Pin Snap-on Pico-Style Cables

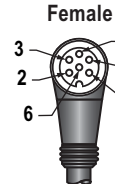
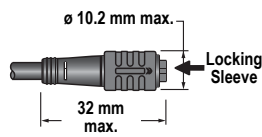
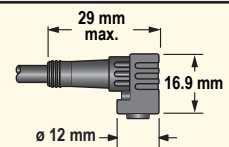
Cable: PVC jacket, 3 x 26 AWG
Conductors: PUR (polyurethane) body, snap lock, POM locking sleeve (right-angle only), gold-plated contacts
Voltage/Current Rating: 125V ac/300V dc, 4.0 A
Temperature: +105° C

Pinout	Style	Model	Length	Dimensions	Used With
 <p>Female</p> <p>1 = Brown 2 = White 3 = Blue 4 = Black</p>	Straight	PKG4-2	2 m		<ul style="list-style-type: none"> • MINI-BEAM 2 • QS12 • QS18 • Q20 • D12 • D10A
	Right-Angle	PKW4Z-2	2 m		

BRACKETS
CABLES
RETROREFLECTORS
ENCLOSURES/
LENS SHIELDS
MISCELLANEOUS

4-Pin Snap-On Pico-Style Cables with Shield						
<p>Cable: PVC jacket, 4 x 26 AWG with 26 AWG drain wire Conductors: PUR (polyurethane) body, snap lock, POM locking sleeve (right-angle only), nickel-plated brass coupling nut, gold-plated contacts Voltage/Current Rating: 125V ac/300V dc, 4.0 A Temperature: +105° C</p>						
Pinout	Style	Model	Length	Dimensions	Used With	
<p>Female</p>  <p>1 = Brown 2 = White 3 = Blue 4 = Black</p>	Straight	PKG4S-2	2 m		• QS18U	
	Right-Angle	PKW4ZS-2	2 m			

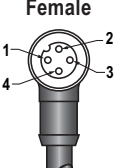
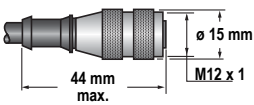
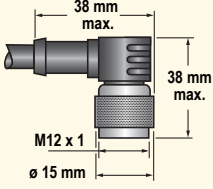
4-Pin Threaded Pico-Style Cables						
<p>Cable: PVC jacket, 4 x 26 AWG Conductors: PUR (polyurethane) body, nickel-plated brass coupling nut, gold-plated contacts Voltage/Current Rating: 125V ac/dc, 4.0 A Temperature: +105° C</p>						
Pinout	Style	Model	Length	Dimensions	Used With	
<p>Female</p>  <p>1 = Brown 2 = White 3 = Blue 4 = Black</p>	Straight	PKG4M-2	2 m		• Q12 • Q20	
		PKG4M-9	9 m			
	Right-Angle	PKW4M-2	2 m			
		PKW4M-9	9 m			

6-Pin Snap-On Pico-Style Cables						
<p>Cable: PVC jacket, 6 x 26 AWG Conductors: PUR (polyurethane) body, POM locking sleeve, gold-plated contacts Voltage/Current Rating: 125V ac/dc, 2.0 A Temperature: +105° C</p>						
Pinout	Style	Model	Length	Dimensions	Used With	
<p>Female</p>  <p>1 = Brown 4 = Black 2 = White 5 = Gray 3 = Blue 6 = Pink</p>	Straight	PKG6Z-2	2 m		• D10 • FI22	
		PKG6Z-9	9 m			
	Right-Angle	PKW6Z-2	2 m			
		PKW6Z-9	9 m			

BRACKETS
CABLES
RETROREFLECTORS
ENCLOSURES/
LENS SHIELDS
MISCELLANEOUS

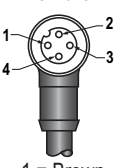
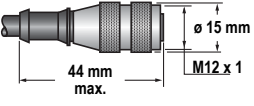
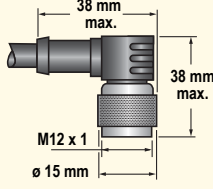
4-Pin Euro-Style Cables

Cable: PVC jacket, PUR (polyurethane) connector body, nickel-plated brass coupling nut
Conductors: 22 or 20 AWG high-flex stranded, gold-plated contacts
Voltage Rating: 250V ac/300V dc
Temperature: -40° to +90° C

Pinout	Style	Model	Length	Dimensions	Used With
 <p>Female 1 = Brown 2 = White 3 = Blue 4 = Black</p>	Straight	MQDC-406	2 m		<ul style="list-style-type: none"> • Q12 • M12 • QS18 • Q20 • OMNI-BEAM (QDH suffix) • Q45 dc sensors (Q5 suffix) • MINI-BEAM dc SM312 sensors • S18, M18, T18, Q25, S30, T30, Q40 • QM42 • QL50/QL55 • SLM • T18U • K50 • K80 • PVA • VTB and STB • EZ-LIGHT
		MQDC-415	5 m		
		MQDC-430	9 m		
	Right-Angle	MQDC-406RA	2 m		
		MQDC-415RA	5 m		
		MQDC-430RA	9 m		

4-Pin Euro-Style Cables with Shield

Cable: PVC jacket, PUR (polyurethane) connector body, nickel-plated brass coupling nut
Conductors: 22 or 20 AWG high-flex stranded, gold-plated contacts
Voltage Rating: 250V ac/300V dc
Temperature: -40° to +90° C

Pinout	Style	Model	Length	Dimensions	Used With
 <p>Female 1 = Brown 2 = White 3 = Blue 4 = Black</p>	Straight	MQDEC2-406	2 m		<ul style="list-style-type: none"> • QS18U
		MQDEC2-415	5 m		
		MQDEC2-430	9 m		
	Right-Angle	MQDEC2-406RA	2 m		
		MQDEC2-415RA	5 m		
		MQDEC2-430RA	9 m		

BRACKETS

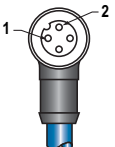
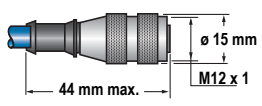
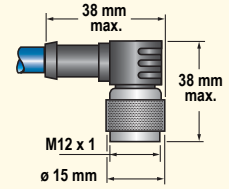
CABLES

RETROREFLECTORS

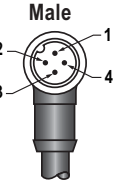
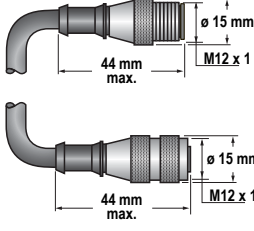
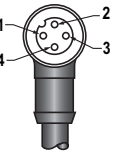
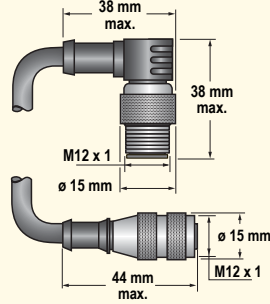
ENCLOSURES/
LENS SHIELDS

MISCELLANEOUS

4-Pin Euro-Style Cables (for use with NAMUR sensors)
Cable: PVC jacket, PUR (polyurethane) connector body, nickel-plated brass coupling nut
Conductors: 22 or 20 AWG high-flex stranded, gold-plated contacts
Voltage Rating: 250V ac/300V dc
Temperature: -40° to +90° C

Pinout	Style	Model	Length	Dimensions	Used With
 <p>Female</p> <p>1 = Brown 2 = Blue</p>	Straight	MQD9-406	2 m		<ul style="list-style-type: none"> • MINI-BEAM & Q45 NAMUR sensors
		MQD9-415	5 m		
	Right-Angle	MQD9-406RA	2 m		
		MQD9-415RA	5 m		

4-Pin Euro-Style Cables–Double Ended
Cable: PVC jacket, PUR (polyurethane) connector body, nickel-plated brass coupling nut
Conductors: 22 or 20 AWG high-flex stranded, gold-plated contacts
Voltage Rating: 250V ac/300V dc
Temperature: -40° to +90° C

Pinout	Style	Model	Length	Dimensions	Used With
 <p>Male</p>	Male Straight/ Female Straight	MQDEC-403SS	1 m		<ul style="list-style-type: none"> • M12 • QS18 • Q20 • OMNI-BEAM (QDH suffix) • Q45 dc sensors (Q5 suffix) • MINI-BEAM dc SM312 sensors • S18, M18, T18, Q25, S30, T30, Q40 • QM42 • T18U • K50 • K80 • PVA • VTB and STB • EZ-LIGHT
		MQDEC-406SS	2 m		
		MQDEC-412SS	4 m		
		MQDEC-420SS	7 m		
		MQDEC-430SS	10 m		
		MQDEC-450SS	15 m		
 <p>Female</p> <p>1 = Brown 2 = White 3 = Blue 4 = Black</p>	Male Right-Angle/ Female Straight	MQDEC-403RS	1 m		
		MQDEC-406RS	2 m		
		MQDEC-412RS	4 m		
		MQDEC-420RS	7 m		
		MQDEC-430RS	10 m		
		MQDEC-450RS	15 m		

- BRACKETS
- CABLES
- RETROREFLECTORS
- ENCLOSURES/LENS SHIELDS
- MISCELLANEOUS

4-Pin Euro-Style Splitter Cables

Cable: PVC jacket, PUR (polyurethane) connector body, nickel-plated brass coupling nut
Conductors: 22 AWG high-flex stranded, gold-plated contacts
Voltage Rating: 250V ac/300V dc
Temperature: -40° to +90° C

Connections				
Pinout	Model	Branches	Trunk	Used With
	CSB-M1240M1240*	4-Pin Euro QD No Branch Female	No Trunk Male	<ul style="list-style-type: none"> • Sensors w/4-Pin Euro QD • EZ-LIGHT
	CSB-M1241M1241	4-Pin Euro QD 2 x 0.3 m Female	0.3 m Male	
	CSB-M1248M1241		2.5 m Male	
	CSB-M12415M1241		5.0 m Male	
	CSB-M12425M1241		8.0 m Male	
	CSB-UNT425M1241		8.0 m Unterminated	
Dimensions				

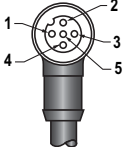
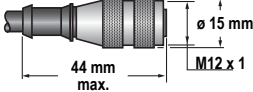
* CSB-M1240M1240 replaces model number MDCVB4T.

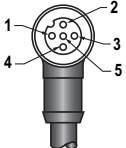
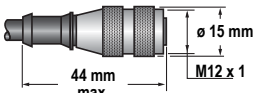
5-Pin Euro-Style Cables

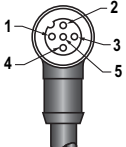
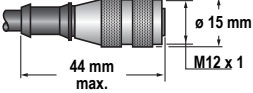
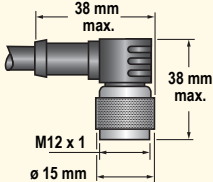
Cable: PVC jacket, PUR (polyurethane) connector body, nickel-plated brass coupling nut
Conductors: 22 or 20 AWG high-flex stranded, gold-plated contacts
Voltage Rating: 250V ac/300V dc
Temperature: -40° to +90° C

Pinout	Style	Model	Length	Dimensions	Used With
	Straight	MQDC1-501.5	0.5 m		<ul style="list-style-type: none"> • MINI-BEAM Expert • QS30 • PicoDot • Q45 Laser Retro • R55F • SL30 & SL30E • SL10 & SL10E • VTB (2-color) • SLC1 • Q60 • PVD • STB • K50 • K80 • DX80 • DX81 • DX85 • EZ-LIGHT
		MQDC1-515	5 m		
		MQDC1-530	9 m		
	Right-Angle	MQDC1-506RA	2 m		
		MQDC1-515RA	5 m		
		MQDC1-530RA	9 m		

BRACKETS
 CABLES
 RETROREFLECTORS
 ENCLOSURES/
 LENS SHIELDS
 MISCELLANEOUS

5-Pin Euro-Style Cables						
Cable: PVC jacket, PUR (polyurethane) connector body, nickel-plated brass coupling nut Conductors: 20 AWG high-flex stranded, gold-plated contacts Voltage Rating: 250V ac/300V dc Temperature: -40° to +90° C						
Pinout	Style	Model	Length	Dimensions	Used With	
Female  <p>1 = Brown 2 = White 3 = Blue 4 = Black 5 = Gray</p>	Straight	MQDC20-506	2 m		<ul style="list-style-type: none"> • High Intensity Area Lights • High Intensity Ring Lights • Sealed Linear Array Lights NOTE: Except stainless steel models	
		MQDC20-515	5 m			
		MQDC20-530	9 m			

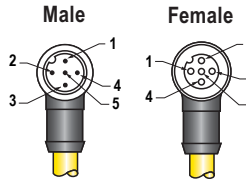
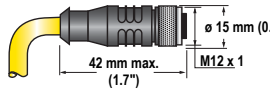
5-Pin Euro-Style Cables with Stainless Steel Connector						
Cable: PVC jacket, PUR (polyurethane) connector body, 316 stainless steel coupling nut Conductors: 20 AWG high-flex stranded, gold-plated contacts Voltage Rating: 250V ac/300V dc Temperature: -40° to +90° C						
Pinout	Style	Model	Length	Dimensions	Used With	
Female  <p>1 = Brown 2 = White 3 = Blue 4 = Black 5 = Gray</p>	Straight	MQDC20SS-506	2 m		<ul style="list-style-type: none"> • Sealed High Intensity Area Lights • Sealed Linear Array Lights NOTE: Stainless steel models	
		MQDC20SS-515	5 m			
		MQDC20SS-530	9 m			

5-Pin Euro-Style Cables with Shield						
Cable: PVC jacket, PUR (polyurethane) connector body, nickel-plated brass coupling nut Conductors: 22 or 20 AWG high-flex stranded, gold-plated contacts Voltage Rating: 250V ac/300V dc Temperature: -40° to +90° C						
Pinout	Style	Model	Length	Dimensions	Used With	
Female  <p>1 = Brown 2 = White 3 = Blue 4 = Black 5 = Gray</p>	Straight	MQDEC2-506	2 m		<ul style="list-style-type: none"> • Q50 • R58E • M-GAGE Q7M • M-GAGE S18M • QT50U dc sensors • S18U • T30U • Q45U • Q45UR • T-GAGE M18T • LX • QT50R 	
		MQDEC2-515	5 m			
		MQDEC2-530	9 m			
	Right-Angle	MQDEC2-506RA	2 m			
		MQDEC2-515RA	5 m			
		MQDEC2-530RA	9 m			

BRACKETS
CABLES
RETROREFLECTORS
ENCLOSURES/
LENS SHIELDS
MISCELLANEOUS

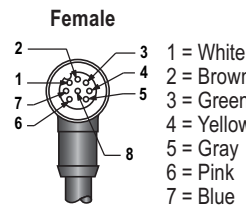
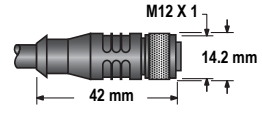
5-Pin Euro-Style Cables–Double Ended

Cable: PVC jacket, PUR (polyurethane) connector body, nickel-plated brass coupling nut
Conductors: 22 or 20 AWG high-flex stranded, gold-plated contacts
Voltage Rating: 250V ac/300V dc
Temperature: -40° to +90° C

Pinout	Style	Model	Length	Dimensions	Used With
 <p>Male Female</p> <p>1 = Brown 2 = White 3 = Blue 4 = Black 5 = Gn/Ye</p>	Female Straight/ Male Straight	DEE2R-51D	0.3 m		<ul style="list-style-type: none"> • MINI-BEAM <i>Expert</i> • QS30 • PicoDot • Q45 Laser Retro • R55F • SL30 & SL30E • SL10 & SL10E • SLC1 • Q60 • PVD • STB • VTB (2-color) • DX85 • DX81
		DEE2R-53D	1.0 m		
		DEE2R-58D	2.4 m		
		DEE2R-515D	4.5 m		
		DEE2R-525D	8.0 m		
		DEE2R-550D	15.0 m		
		DEE2R-575D	23.0 m		
		DEE2R-5100D	30.0 m		

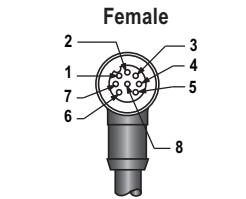
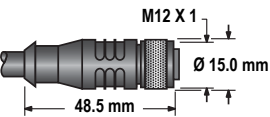
8-Pin Euro-Style Cables with Shield

Cable: PVC jacket, PUR (polyurethane) connector body, nickel-plated brass coupling nut
Conductors: 22 or 20 AWG high-flex stranded, gold-plated contacts
Voltage Rating: 250V ac/300V dc
Temperature: -40° to +90° C

Pinout	Style	Model	Length	Dimensions	Used With
 <p>Female</p> <p>1 = White 2 = Brown 3 = Green 4 = Yellow 5 = Gray 6 = Pink 7 = Blue 8 = Shield</p>	Straight	MQDC-806	2 m		<ul style="list-style-type: none"> • LT3 • LG5 • LG10
		MQDC-815	5 m		
		MQDC-830	9 m		

8-Pin Euro-Style Cables with Shield

Cable: PVC jacket, PUR (polyurethane) connector body, nickel-plated brass coupling nut
Conductors: 24 AWG high-flex stranded, gold-plated contacts
Voltage Rating: 30V ac/36V dc
Temperature: -40° to +105° C

Pinout	Style	Model	Length	Dimensions	Used With
 <p>Female</p> <p>1 = White 2 = Brown 3 = Green 4 = Yellow 5 = Gray 6 = Pink 7 = Blue 8 = Red</p>	Straight	MAQDC-815	5 m		<ul style="list-style-type: none"> • EZ-ARRAY Emitters/Receivers
		MAQDC-830	9 m		
		MAQDC-850	15 m		

BRACKETS

CABLES

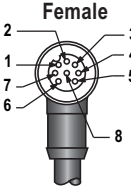
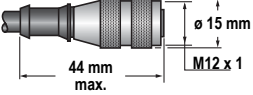
RETROREFLECTORS

ENCLOSURES/
LENS SHIELDS

MISCELLANEOUS

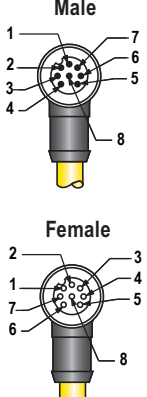
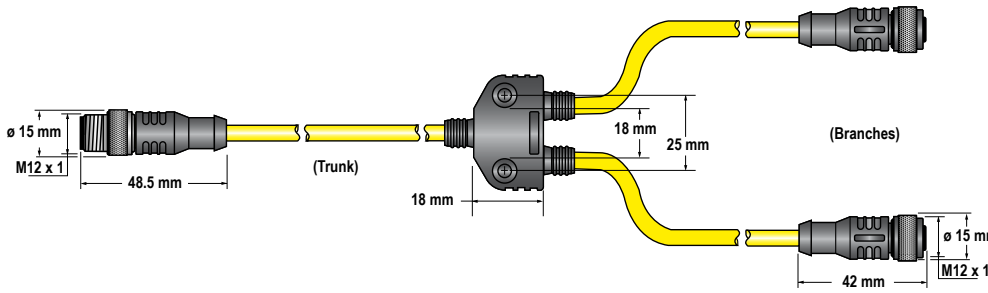
8-Pin Euro-Style Cables with Open-Shield

Cable: PVC jacket, PUR (polyurethane) connector body, nickel-plated brass coupling nut
Conductors: 22 or 20 AWG high-flex stranded, gold-plated contacts
Voltage Rating: 250V ac/300V dc
Temperature: -40° to +90° C

Pinout	Style	Model	Length	Dimensions	Used With
 <p>Female</p> <p>1 = White 5 = Gray 2 = Brown 6 = Pink 3 = Green 7 = Blue 4 = Yellow 8 = Red</p>	Straight	MQDC2S-806	2 m		<ul style="list-style-type: none"> • QC50 • QCX50 • EZ-LIGHT
		MQDC2S-815	5 m		
		MQDC2S-830	9 m		

8-Pin Euro-Style Splitter Cables

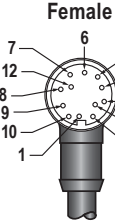

Cable: PVC jacket, PUR (polyurethane) connector body, nickel-plated brass coupling nut
Conductors: 22 AWG high-flex stranded, gold-plated contacts
Voltage Rating: 250V ac/300V dc
Temperature: -40° to +90° C

Connections				
Pinout	Model	Branches	Trunk	Used With
 <p>Male</p> <p>Female</p> <p>1 = Brown 2 = Or/Bk 3 = Orange 4 = White 5 = Black 6 = Blue 7 = Gn/Ye 8 = Violet</p>	CSB-M1280M1280	8-Pin Euro QD No Branch Female	No Trunk Male	<ul style="list-style-type: none"> • EZ-ARRAY Emitters/Receivers
	CSB-M1281M1281	8-Pin Euro QD 2 x 0.3 m Female	0.3 m Male	
	CSB-M1288M1281		2.5 m Male	
	CSB-M12815M1281		5.0 m Male	
	CSB-M12825M1281		8.0 m Male	
	CSB-UNT825M1281		8.0 m Unterminated	
Dimensions				
				


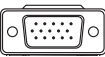
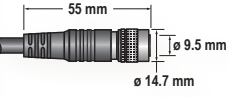
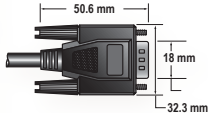
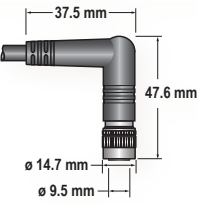
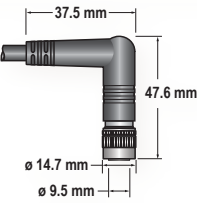
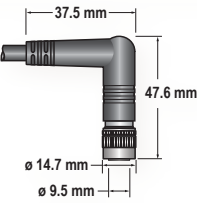

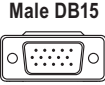
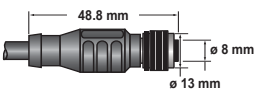
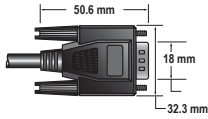
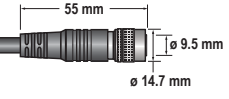
BRACKETS
 CABLES
 RETROREFLECTORS
 ENCLOSURES/
 LENS SHIELDS
 MISCELLANEOUS

12-Pin M16 Cable

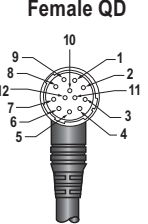
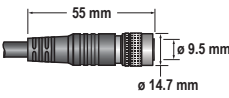
Cable: PVC jacket, nickel-plated brass coupling nut
 Conductors: 22 AWG
 Voltage Rating: 250V ac Temperature: -30° to +80° C

Pinout	Style	Model	Length	Dimensions	Used With	
1 = White 2 = Brown 3 = Green 4 = Yellow 5 = Gray 6 = Pink 7 = Red 8 = Black 9 = Violet 10 = Gy/Pk 11 = Rd/Bu 12 = Blue	 <p>Female</p>	Straight	MQDC-1210ST	3 m		• LT7
			MQDC-1230ST	10 m		

12-Pin QD to DB15

Pinout	Style	Model	Length	Dimensions 12-Pin QD	Dimensions DB15	Used With
 	Straight/DB15	PPC06	2 m			• Pro
		PPC23	7 m			
	Straight (High-Flex)/DB15	PPC06HF	2 m			
		PPC23HF	7 m			
	Right-Angle/DB15	PPC06RA	2 m			
		PPC10RA	3 m			
Right-Angle (High-Flex)/DB15	PPC23RA	7 m				
	PPC06RAHF	2 m				
 	Straight/DB15	PPC13S	4 m			• Sealed Pro
		PPC23S	7 m			
	Straight/DB15	P4C06SIM	2 m			
P4C23SIM		7 m				
P4C32SIM		10 m				

12-Pin QD

Pinout	Style	Model	Length	Dimensions	Used With	
1 = Yellow 2 = Gray 3 = Orange 4 = Pink 5 = Black 6 = Red 7 = White 8 = Light Blue 9 = Purple 10 = Green 11 = Blue 12 = Brown Shield = Bare Metal	 <p>Female QD</p>	Straight	P4C06	2 m		• P4 • PPSIM with terminal strip to P4
			P4C23	7 m		
			P4C32	10 m		
			P4C50	16 m		
			P4C75	23 m		

BRACKETS

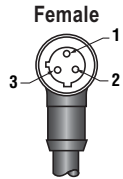
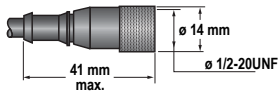
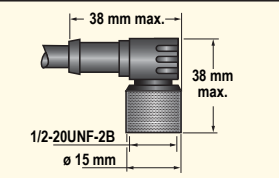
CABLES

RETROREFLECTORS

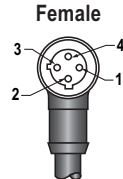
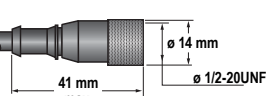
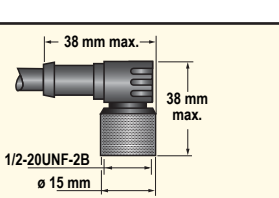
ENCLOSURES/
LENS SHIELDS

MISCELLANEOUS

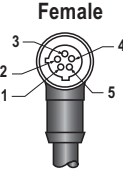
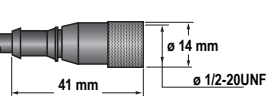
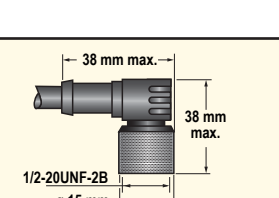
3-Pin Micro-Style Cables
Cable: PVC jacket, 3 x 22 AWG
Conductors: PUR (polyurethane) body, nickel-plated coupling nut, gold-plated contacts
Voltage/Current Rating: 250V ac/dc, 4.0 A
Temperature: +105° C

Pinout	Style	Model	Length	Dimensions	Used With
 <p>1 = Green 2 = Red/Black 3 = Red/White</p>	Straight	MQDC-306	2 m		<ul style="list-style-type: none"> • MINI-BEAM ac SM2A312 sensors
		MQDC-315	5 m		
		MQDC-330	9 m		
	Right-Angle	MQDC-306RA	2 m		
		MQDC-315RA	5 m		
		MQDC-330RA	9 m		

4-Pin Micro-Style Cables
Cable: PVC jacket, 4 x 22 AWG
Conductors: PUR (polyurethane) body, nickel-plated brass coupling nut, gold-plated contacts
Voltage/Current Rating: 250V ac/dc, 4.0 A
Temperature: +105° C

Pinout	Style	Model	Length	Dimensions	Used With
 <p>1 = Red/Black 2 = Red/White 3 = Red 4 = Green</p>	Straight	MQAC-406	2 m		<ul style="list-style-type: none"> • Q45 ac series (suffix Q1) • S18, M18, T18, Q25, S30, T30 & Q40 ac sensors (suffix Q1) • Q60
		MQAC-415	5 m		
		MQAC-430	9 m		
	Right-Angle	MQAC-406RA	2 m		
		MQAC-415RA	5 m		
		MQAC-430RA	9 m		

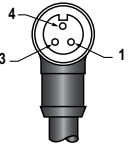
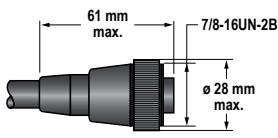
5-Pin Micro-Style Cables with Shield
Cable: PVC jacket, 5 x 22 AWG with 22 AWG drain wire
Conductors: PUR (polyurethane) body, nickel-plated brass coupling nut, gold-plated contacts
Voltage Rating: 250V ac/dc, 4.0 A
Temperature: +105° C

Pinout	Style	Model	Length	Dimensions	Used With
 <p>1 = Brown 2 = White 3 = Yellow 4 = Black 5 = Blue</p>	Straight	MQVR3S-506	2 m		<ul style="list-style-type: none"> • QT50U ac/dc sensors • EZ-LIGHT ac indicators
		MQVR3S-515	5 m		
		MQVR3S-530	9 m		
	Right-Angle	MQVR3S-506RA	2 m		
		MQVR3S-515RA	5 m		
		MQVR3S-530RA	9 m		

BRACKETS
 CABLES
 RETROREFLECTORS
 ENCLOSURES/
 LENS SHIELDS
 MISCELLANEOUS

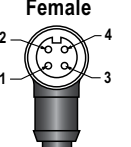
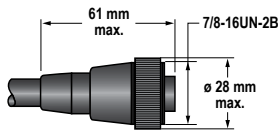
3-Pin Mini-Style Cables

Cable: PVC jacket, PUR (polyurethane) connector body, nylon coupling nut
Conductors: 18 AWG high-flex stranded. PVC insulation, gold-plated contacts
Voltage Rating: 250V ac/300V dc
Temperature: -40° to +80° C

Pinout	Style	Model	Length	Dimensions	Used With
 <p>1 = Brown 3 = Blue 4 = Black</p>	Straight	MBCC-306	2 m		<ul style="list-style-type: none"> • Q45
		MBCC-312	4 m		
		MBCC-330	9 m		
	Straight	SMICC-306	2 m		<ul style="list-style-type: none"> • SMI30 Intrinsically safe dc sensors
		SMICC-312	4 m		
		SMICC-330	9 m		
1=Red/Black 3=Red/White 4=Green	Straight	SM30CC-306	2 m	<ul style="list-style-type: none"> • SM30 2-wire ac sensors 	
		SM30CC-312	4 m		

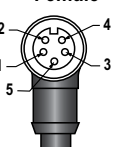
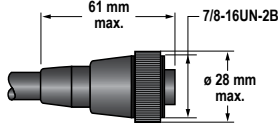
4-Pin Mini-Style Cables

Cable: PVC jacket, PUR (polyurethane) connector body, nylon coupling nut
Conductors: 18 AWG high-flex stranded. PVC insulation, gold-plated contacts
Voltage/Current Rating: 250V ac/300V dc
Temperature: -40° to +80° C

Pinout	Style	Model	Length	Dimensions	Used With
 <p>1 = Brown 2 = White 3 = Blue 4 = Black</p>	Straight	MBCC-406	2 m		<ul style="list-style-type: none"> • Q45 dc sensors (suffix Q) • OMNI-BEAM dc power blocks • SM30 dc sensors • OTB w/solid-state output • STB with solid-state output
		MBCC-412	4 m		
		MBCC-430	9 m		

5-Pin Mini-Style Cables

Cable: PVC jacket, PUR (polyurethane) connector body, nylon coupling nut
Conductors: 18 AWG high-flex stranded, gold-plated contacts
Voltage Rating: 250V ac/300V dc
Temperature: -40° to +90° C

Pinout	Style	Model	Length	Dimensions	Used With
 <p>1 = Brown 2 = White 3 = Blue 4 = Black 5 = Yellow</p>	Straight	MBCC-506	2 m		<ul style="list-style-type: none"> • Q45 Laser Retro • OMNI-BEAM ac power blocks • OMNI-BEAM dc w/ e/m relay • OTB & LTB w/SPDT relay • Q45 5-wire ac • STB with e/m relay
		MBCC-512	4 m		
		MBCC-530	9 m		

BRACKETS

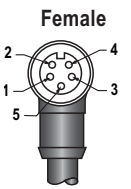
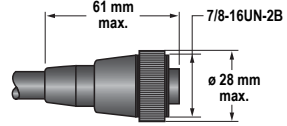
CABLES

RETROREFLECTORS

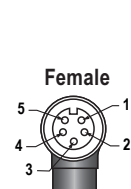
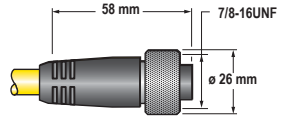
ENCLOSURES/
LENS SHIELDS

MISCELLANEOUS

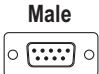
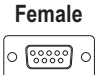
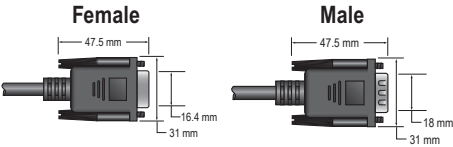
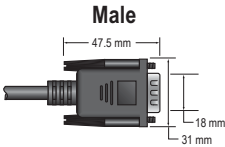
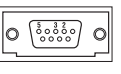
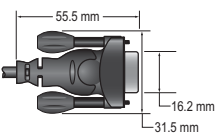
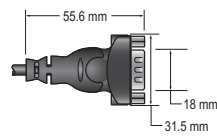
5-Pin Mini-Style Cables with Shield
Cable: PVC jacket, PUR (polyurethane) connector body, nylon coupling nut
Conductors: 18 AWG high-flex stranded, PVC insulation, gold-plated contacts
Voltage Rating: 250V ac/300V dc
Temperature: -40° to +80° C

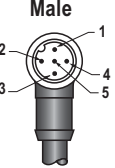
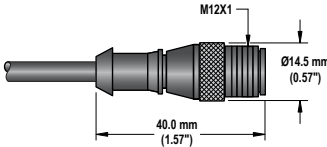
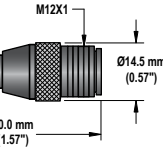
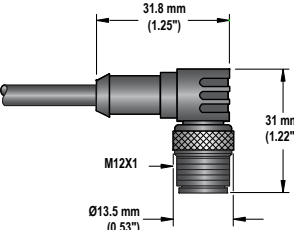
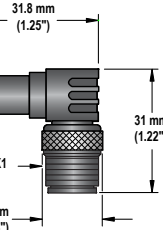
Pinout	Style	Model	Length	Dimensions	Used With
 <p>Female</p> <p>1 = Brown 2 = White 3 = Blue 4 = Black 5 = Yellow</p>	Straight	MBCC2-506	2 m		<ul style="list-style-type: none"> • QT50U • Q45U • Q45UR
		MBCC2-512	4 m		
		MBCC2-530	9 m		


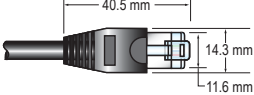
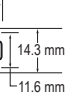
5-Pin Mini-Style Cables with Shield and “Twisted Pair”
Cable: PVC jacket, PUR (polyurethane) connector body, nickel-plated brass coupling nut
Conductors: 18 AWG high-flex stranded, PVC insulation, gold-plated contacts
Voltage Rating: 250V ac/300V dc
Temperature: -40° to +80° C


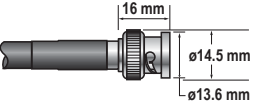
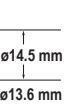
Pinout	Style	Model	Length	Dimensions	Used With
 <p>Female</p> <p>1 = Black 2 = Blue 3 = Drain 4 = Brown 5 = White</p>	Straight	QDC-515C	5 m		<ul style="list-style-type: none"> • MINI-ARRAY • High-Resolution MINI-ARRAY
		QDC-525C	8 m		
		QDC-550C	15 m		
		MAQDC-575C	22 m		
		MAQDC-5100C	30 m		
		MAQDC-5125C	38 m		
		MAQDC-5150C	45 m		

- BRACKETS
- CABLES
- RETROREFLECTORS
- ENCLOSURES/ LENS SHIELDS
- MISCELLANEOUS

DB9 Communication Cordsets						
End View	Style	Model	Length	Dimensions		Used With
 <p>Male</p>  <p>Female</p>	Male DB9/ Female DB9	DB9P06	2 m			• Pro
		DB9P15	5 m			
		DB9P30	9 m			
 <p>Female</p> <p>2 = Transmit (TX) 3 = Receive (RX) 5 = Ground (GRD)</p>	Male DB9/ Female DB9	MASC	2 m			<ul style="list-style-type: none"> • MINI-ARRAY • High-Resolution MINI-ARRAY

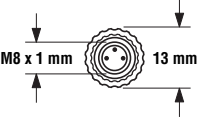
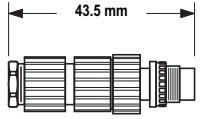
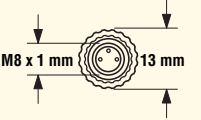
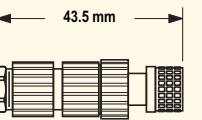
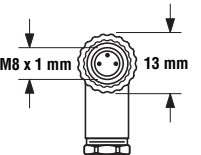
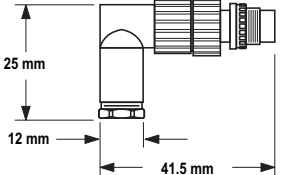
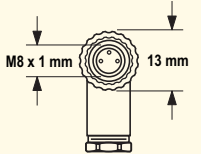
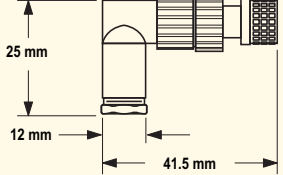
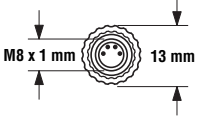
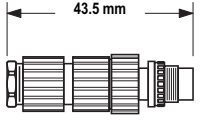
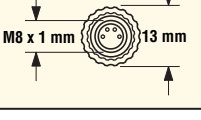
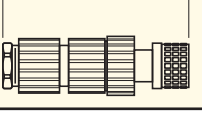
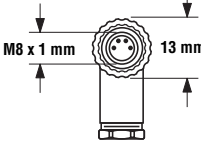
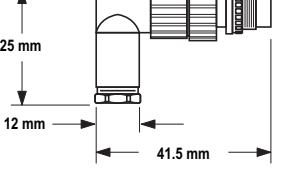
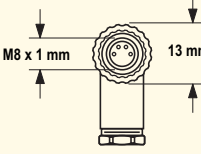
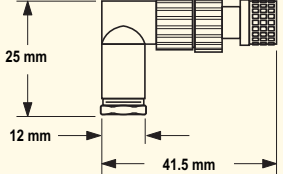
Communication Cordsets								
End View	Style	Model	Length	Dimensions		Used With		
 <p>1 = Brown 2 = White 3 = Blue 4 = Black 5 = Gray</p>	Straight	MQDMC-506	2 m			<ul style="list-style-type: none"> • EZ-ARRAY to INTUSB485-1 USB Serial Adapter 		
		MQDMC-515	5 m					
		MQDMC-530	9 m					
	Right-Angle	MQDMC-506RA	2 m					
		MQDMC-515RA	5 m					
		MQDMC-530RA	9 m					

RJ45 Ethernet Cordsets						
End View	Style	Model	Length	Dimensions		Used With
 <p>Male</p>	Cat5e Shielded	STP07	2.1 m			<ul style="list-style-type: none"> • Pro • P4
	Cat5e Crossover Shielded	STPX07				
	Cat5e Shielded	STP25	7.3 m			
	Cat5e Crossover Shielded	STPX25				
	Cat5e Shielded	STPX75	23 m			

BNC Coaxial Video Cordsets						
Pinout	Style	Model	Length	Dimensions		Used With
 <p>Male</p>	Video Coaxial with BNC	BNC06	2 m			<ul style="list-style-type: none"> • Pro • P4
		BNC15	5 m			
		BNC30	9 m			

BRACKETS
CABLES
RETROREFLECTORS
ENCLOSURES/
LENS SHIELDS
MISCELLANEOUS

Pico-Style Field-Wireable Connectors (M8)
Contacts: Gold-plated, rated 60V ac/dc max., 4 A max.
Cable Diameter: 4.0 to 5.0 mm
Temperature: -25° to +70° C
Environmental Rating: NEMA 6P, IP67

Pinout	Style	Model	Dimensions
	3-Pin Male Straight	FIC-M8M3	
	3-Pin Female Straight	FIC-M8F3	
	3-Pin Male Right-Angle	FIC-M8M3A	
	3-Pin Female Right-Angle	FIC-M8F3A	
	4-Pin Male Straight	FIC-M8M4	
	4-Pin Female Straight	FIC-M8F4	
	4-Pin Male Right-Angle	FIC-M8M4A	
	4-Pin Female Right-Angle	FIC-M8F4A	

- BRACKETS
- CABLES
- RETROREFLECTORS
- ENCLOSURES/
LENS SHIELDS
- MISCELLANEOUS


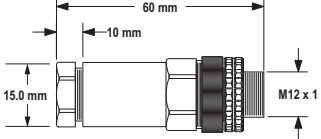

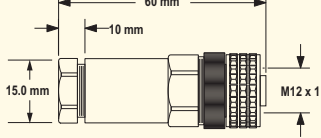
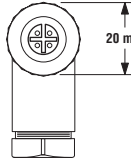
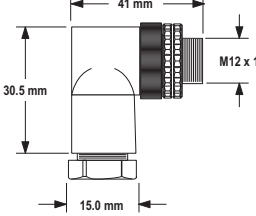
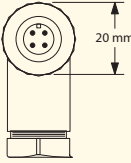
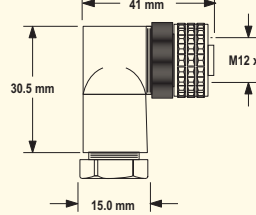

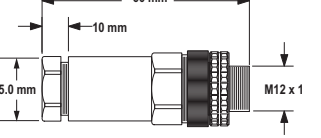

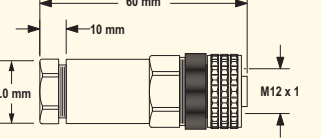
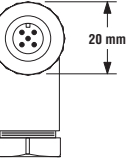
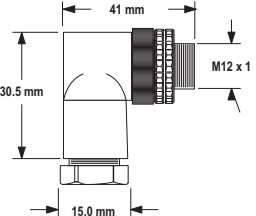
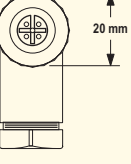
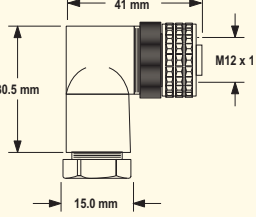
Euro-Style Field-Wireable Connectors (M12)

Contacts: Gold-plated; 4-pin models rated 250V ac/dc max., 4 A max.; 5-pin models rated 50V ac/dc max., 4 A max.

Cable Diameter: 4.0 to 5.0 mm

Temperature: -25° to +90° C

Environmental Rating: NEMA 6P, IP67

Pinout	Style	Model	Dimensions
	4-Pin Male Straight	FIC-M12M4	
	4-Pin Female Straight	FIC-M12F4	
	4-Pin Male Right-Angle	FIC-M12M4A	
	4-Pin Female Right-Angle	FIC-M12F4A	
	5-Pin Male Straight	FIC-M12M5	
	5-Pin Female Straight	FIC-M12F5	
	5-Pin Male Right-Angle	FIC-M12M5A	
	5-Pin Female Right-Angle	FIC-M12F5A	

BRACKETS

CABLES

RETROREFLECTORS

ENCLOSURES/
LENS SHIELDS

MISCELLANEOUS

X-ON Electronics

Largest Supplier of Electrical and Electronic Components

Click to view similar products for [banner manufacturer](#):

Other Similar products are found below :

[Q45VR2FPQ](#) [BTA23S](#) [RS-11](#) [L16F](#) [2LM3](#) [2PBA](#) [LM8-1](#) [LMT](#) [SM312CV](#) [SM31RQD](#) [LS4ELQ](#) [FX1](#) [Q45BB6LLQ](#) [QM42VP6AFV150Q](#)
[D12SP6FP](#) [MBCC-412](#) [BA23S](#) [BT21S](#) [BTA13S](#) [LM4-2](#) [Q25SP6LPQ](#) [ES-FA-6G](#) [T183E](#) [SLSP30-600Q88](#) [SLSP30-1200Q88](#) [OPBA5](#)
[PBAT](#) [SBLV1](#) [SMA91EQD](#) [SMA91E](#) [SMA912LVQD](#) [SMA912DQD](#) [SM2A312CVQD](#) [SM2A912LVQD](#) [SM31RL](#) [TL70RAQ](#) [TL70RQ](#)
[K50LGRYPQ](#) [LEDRR70X70-78587](#) [BRT-THG-4X4-5](#) [T18-2VNDL-Q8](#) [SLLP14-1190P88](#) [SME312DQD](#) [SM312CUQD](#) [BR-2](#) [BR23P](#)
[SM2A312FPQD](#) [SM2A312LVQD](#) [SM31EQD](#) [D12EP6FP](#)