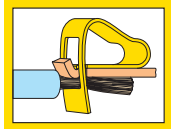


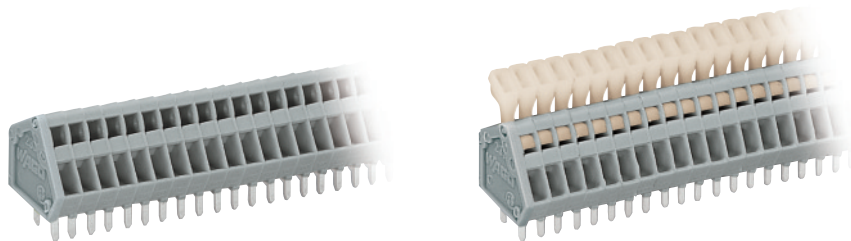
PCB Terminal Strips 0.5 mm²/AWG 20 Pin Spacing 2.5 mm / 0.098 in; Series 233



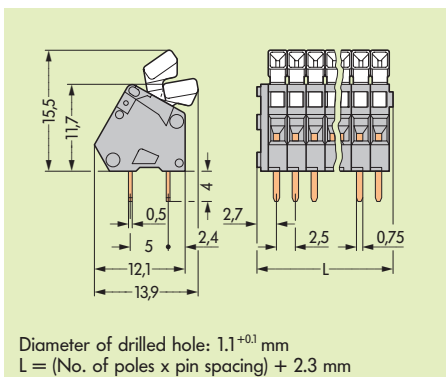
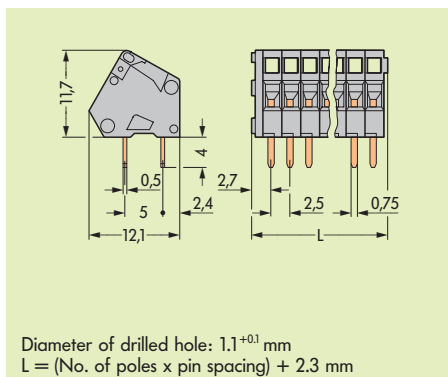
1
9

1

<p>Pin spacing 2.5 mm/0.098 in 0.08 – 0.5 mm² ① AWG 28 – 20 ① 250 V/2.5 kV/2 150 V, 4 A ② ③ 6 A</p> <p> 5 – 6 mm / 0.22 in</p> <p>* </p>	<p>Pin spacing 2.5 mm/0.098 in 0.08 – 0.5 mm² ① AWG 28 – 20 ① 250 V/2.5 kV/2 150 V, 4 A ② ③ 6 A</p> <p> 5 – 6 mm / 0.22 in</p> <p>* </p>	<p>Accessories</p>
---	---	---------------------------



No. of poles	Item No.	Pack.-unit pcs	No. of poles	Item No.	Pack.-unit pcs		Item No.	Pack.-unit pcs
Terminal strips without push buttons, standard lengths, other lengths contact factory, 2 solder pins/pole, grey			Terminal strips with push buttons, standard lengths, other lengths contact factory, 2 solder pins/pole, grey			Marker cards, 100 self-adhesive strips per card		
2	233-102	600 (6 x 100)	2	233-202	600 (6 x 100)	<p>Marking - pin spacing 2.5 mm/0.098 in</p> <p>1-16 (400 x) 210-331/0250-0202 1 card</p> <p>17-32 (400 x) 210-331/0250-0204 1 card</p> <p>33-48 (400 x) 210-331/0250-0206 1 card</p> <p>For direct printing, please contact factory</p>		
3	233-103	500 (4 x 125)	3	233-203	500 (4 x 125)			
4	233-104	400 (4 x 100)	4	233-204	400 (4 x 100)			
5	233-105	340 (4 x 85)	5	233-205	340 (4 x 85)			
6	233-106	280 (4 x 70)	6	233-206	280 (4 x 70)			
7	233-107	240 (4 x 60)	7	233-207	240 (4 x 60)			
8	233-108	220 (4 x 55)	8	233-208	220 (4 x 55)			
9	233-109	200 (4 x 50)	9	233-209	200 (4 x 50)			
10	233-110	180 (4 x 45)	10	233-210	180 (4 x 45)			
12	233-112	140 (4 x 35)	12	233-212	140 (4 x 35)			
16	233-116	100 (4 x 25)	16	233-216	100 (4 x 25)			
24	233-124	80 (4 x 20)	24	233-224	80 (4 x 20)			
Terminal strips without push buttons cannot be retrofitted with push buttons!								
For other colors, please contact factory			For other colors, please contact factory					
Accessories								
Operating tool, for shop wiring								
<p>see section 11</p>								
Dimensions (in mm)								



① in adjacent positions 0.75 mm²/AWG 18

* Approvals with corresponding ratings see pages 12.3 ff.

X-ON Electronics

Largest Supplier of Electrical and Electronic Components

Click to view similar products for [wago manufacturer](#):

Other Similar products are found below :

[750-460](#) [231-118/026-000](#) [231-303/026-000](#) [231-620/019-000](#) [257-403](#) [280-438](#) [280-831](#) [284-624](#) [210-111](#) [231-303/037-000](#) [231-446/001-000_NR](#) [232-216/026-000](#) [234-510](#) [264-726](#) [280-339](#) [0283-0671](#) [830-800/000-305](#) [750-512](#) [750-455](#) [51251782](#) [286-312](#) [713-1428/107-000](#) [731-138/048-000](#) [750-459](#) [750-517](#) [793-3505](#) [826-172](#) [859-304](#) [280-335](#) [231-535/001-000](#) [2604-1106](#) [2604-1504](#) [2606-1103/020-000](#) [2624-1103](#) [2626-3103/020-000](#) [821-104](#) [713-1107](#) [852-1411](#) [2106-1307](#) [2116-5307](#) [832-1205](#) [832-3604](#) [2009-110](#) [281-512/281-501](#) [286-336](#) [750-421](#) [750-838](#) [753-559](#) [750-1505](#) [787-732](#)