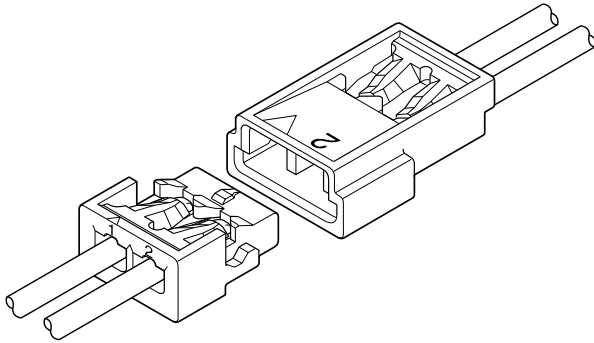


# ACH CONNECTOR

**1.2mm pitch/Disconnectable Crimp style Wire-to-wire connectors**



***This is the wire-to-wire connector for DC power supply compatible with the ACH connector for PC board.***

- Connector for DC power supply
- Common use with the existing socket contact of ACH connector

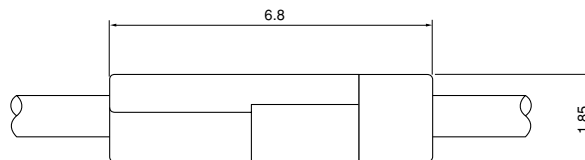
## Specifications

- Current rating: 2A AC, DC
  - Voltage rating: 50V AC, DC
  - Temperature range: -25°C to +85°C  
(including temperature rise in applying electrical current)
  - Contact resistance: Initial value/ 10m  $\Omega$  max.  
After environmental testing/ 20m  $\Omega$  max.
  - Insulation resistance: 100M  $\Omega$  min.
  - Withstanding voltage: 500V AC/minute
  - Applicable wire: Conductor size/ AWG #30 to #28  
Insulation O.D./ 0.5 to 0.63mm
- \* Compliant with RoHS.  
\* Refer to "General Instruction and Notice when using Terminals and Connectors" at the end of this catalog.  
\* Contact JST for details.

## Standards

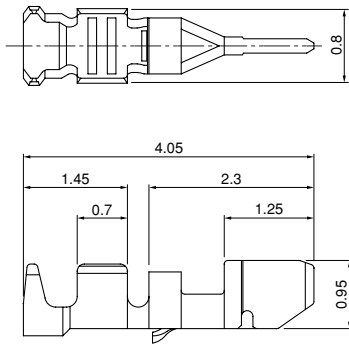
Recognized E60389

Certified LR20812

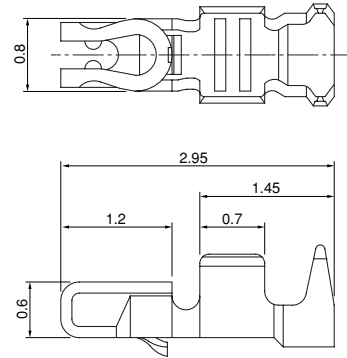


## Contact

### Plug contact



### Socket contact



| Model No.              |                       | Applicable wire |       | Insulation O.D. (mm) | Q'ty / reel |
|------------------------|-----------------------|-----------------|-------|----------------------|-------------|
| Plug contact           | Socket contact        | mm <sup>2</sup> | AWG # |                      |             |
| <b>SACHP-003G-P0.2</b> | <b>SACH-003G-P0.2</b> | 0.05~0.08       | 30~28 | 0.5~0.63             | 30,000      |

### Material and Finish

Copper alloy, nickel-undercoated, gold-plated

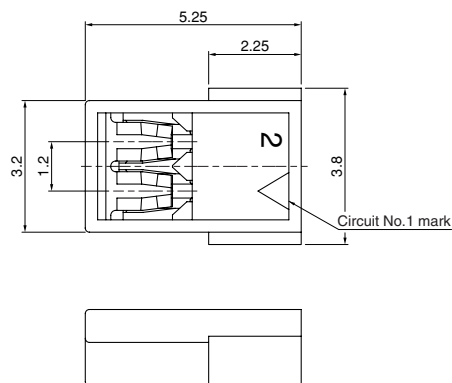
### RoHS compliance

| Contact                | Crimping machine | Applicator       |                 |                            |
|------------------------|------------------|------------------|-----------------|----------------------------|
|                        |                  | Crimp applicator | Dies            | Crimp applicator with dies |
| <b>SACHP-003G-P0.2</b> | AP-K2N           | MKS-L-10-3       | MK/SACHP-003-02 | APLMK SACHP003-02          |
|                        |                  | —                | —               | —                          |

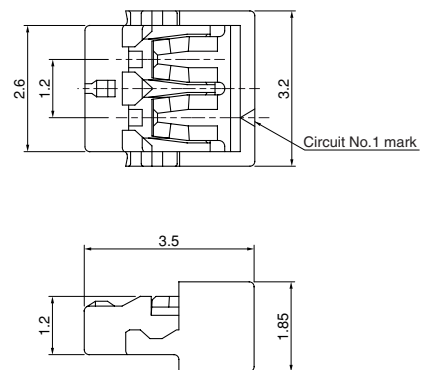
| Contact               | Crimping machine | Applicator       |                |                            |
|-----------------------|------------------|------------------|----------------|----------------------------|
|                       |                  | Crimp applicator | Dies           | Crimp applicator with dies |
| <b>SACH-003G-P0.2</b> | AP-K2N           | MKS-L-10-3       | MK/SACH-003-02 | APLMK SACH003-02           |
|                       |                  | —                | —              | —                          |

## Housing

### Plug housing



### Socket housing



| Model No.          |                    | Q'ty / box |
|--------------------|--------------------|------------|
| Plug housing       | Socket housing     |            |
| <b>ACHTP-02V-S</b> | <b>ACHTR-02V-S</b> | 1,000      |

### Material

PBT, UL94V-0, natural (white)

### RoHS compliance

## X-ON Electronics

Largest Supplier of Electrical and Electronic Components

*Click to view similar products for [jst manufacturer](#):*

Other Similar products are found below :

[GS3-0.5](#) [GS8-6](#) [B3B-ZR](#) [B4B-ZR](#) [B5B-XH-A](#) [B5B-ZR](#) [B6B-ZR-SM4-TF](#) [B7B-XH-A](#) [B8B-XH-A](#) [B8B-ZR](#) [BM02B-SRSS-TB](#) [BM06B-SRSS-TB](#) [BM10B-SRSS-TB](#) [FVGS5-6](#) [B2B-ZR-SM4-TF](#) [B34B-PHDSS-B\(LF\)\(SN\)](#) [B3B-ZR-SM4-TF](#) [B5B-ZR-SM4-TF](#) [B6B-XH-A](#) [B7B-ZR-SM4-TF](#) [B8B-ZR-SM4-TF](#) [B8PS-VH](#) [BM04B-SRSS-TB](#) [BM05B-SRSS-TB](#) [IDH-KR-12](#) [10HR-4K](#) [WC-ZE2426](#) [WC-691](#) [FVDDF5.5-375A \(LF\)](#) [FVGS12-6 \(LF\)](#) [FVWS2-S3.3 \(LF\)](#) [FVWS5.5-5 \(LF\)](#) [B6PS-VH\(LF\)\(SN\)](#) [FNGS12-6](#) [TWE0.5-8](#) [FVGS4-1 \(LF\)](#) [WC-GVH2630](#) [WC-PUD2](#) [S10B-PH-SM4-TB\(LF\)\(SN\)](#) [B2B-EH-A-TW \(LF\)\(SN\)](#) [B4B-EH-A-TW \(LF\)\(SN\)](#) [B4B-XH-TW \(LF\)\(SN\)](#) [B9B-XH-A](#) [BM02B-GHS-TBT](#) [BM03B-GHS-TBT](#) [BM04B-GHS-TBT](#) [BM06B-GHS-TBT](#) [BM08B-GHS-TBT](#) [BM10B-GHS-TBT](#) [SM10B-GHS-TB](#)