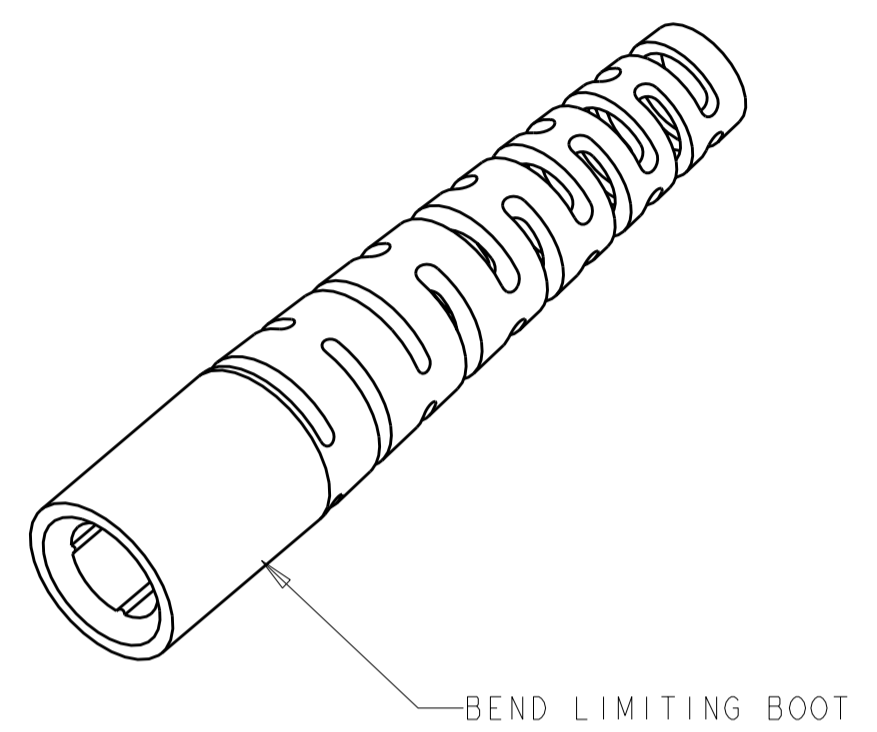
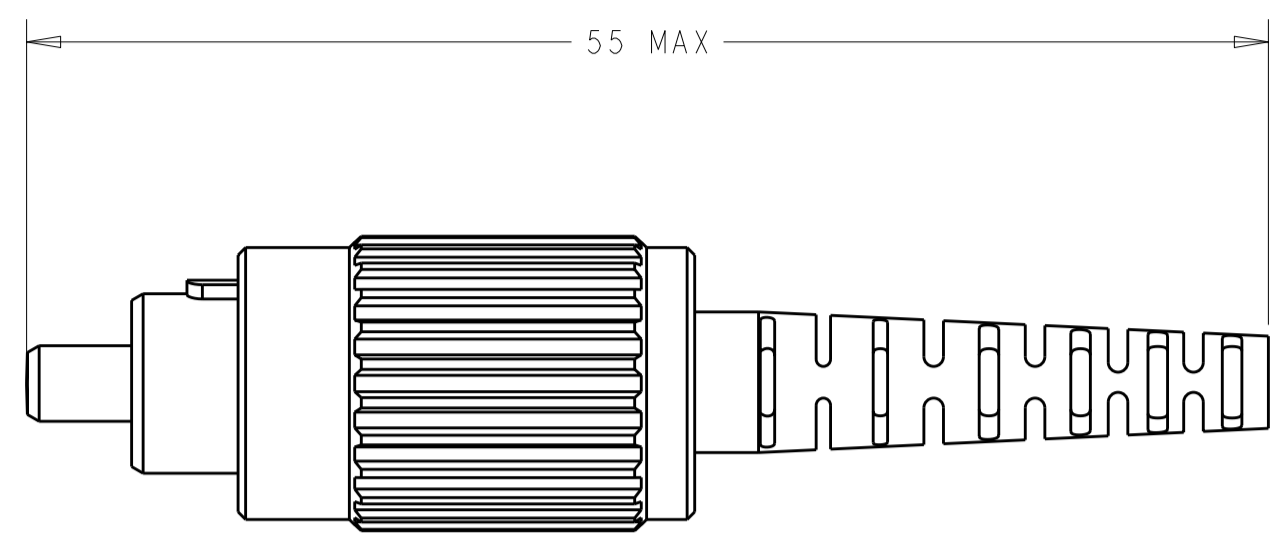
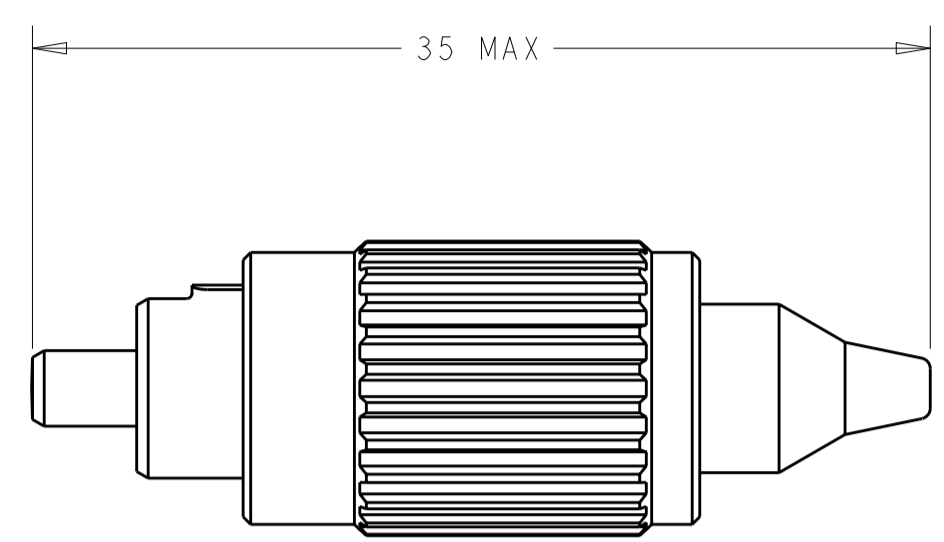


THIS DRAWING IS UNPUBLISHED. RELEASED FOR PUBLICATION 20  
 © COPYRIGHT 20 BY TYCO ELECTRONICS CORPORATION. ALL RIGHTS RESERVED.

LOC	DIST	REVISIONS			
P	LTR	DESCRIPTION	DATE	DWN	APVD
CE	00	A	RELEASE ECR-08-023822	30SEP2008	BB SM
		AI	ADD NOTE 4	16MAR2009	BB SB

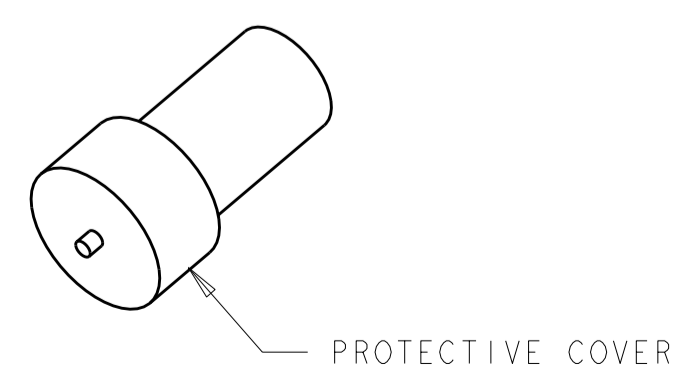
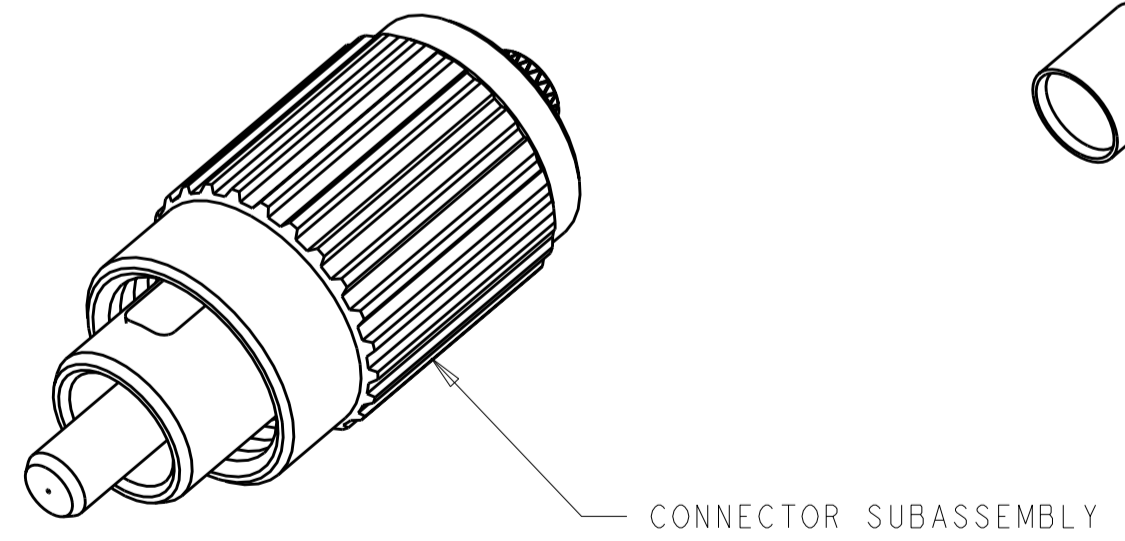
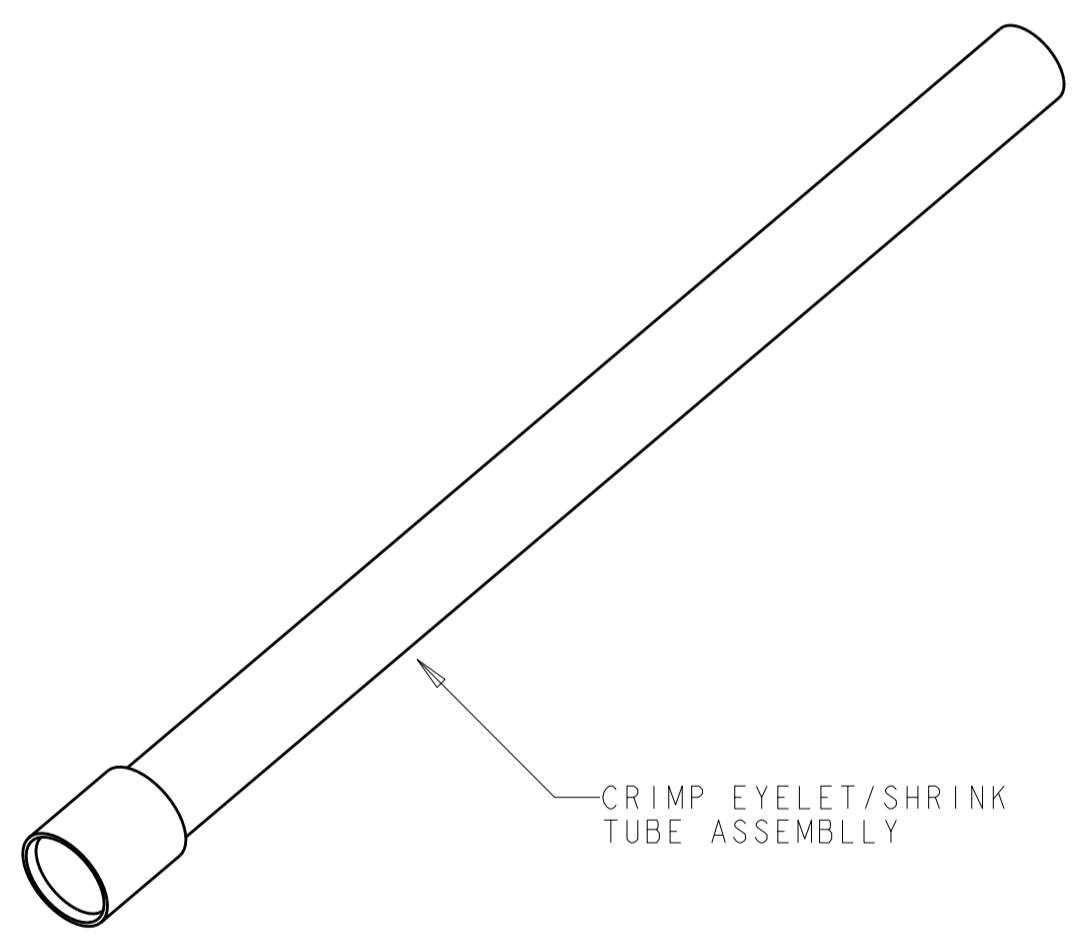
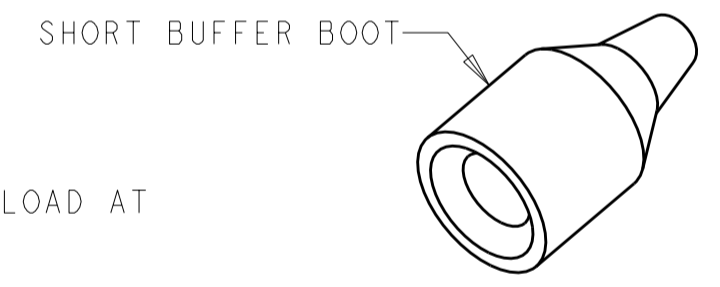


1 MATERIAL:  
 PROTECTIVE COVER: LDPE, COLOR: BLACK, NON-FR  
 CONNECTOR SUBASSEMBLY:  
 COUPLING NUT: ELECTOLESS NICKEL PLATED BRASS  
 PLUG BODY: PPS-GF40, COLOR: BEIGE.\*  
 RETAINER BODY: ALUMINUM, CLEAR ANODIZE.  
 SPRING: STAINLESS STEEL  
 FERRULE ASSEMBLY: CERAMIC/PBT-GF17.\*  
 EPOXY FILL TUBING: PTFE, COLOR: CLEAR, UL VW-1 RATED  
 BUFFER BOOT: TPE, COLOR: BLUE.\*  
 CRIMP EYELET/SHRINK TUBE ASSEMBLY: ALUMINUM/POLYOLEFIN,  
 COLOR: YELLOW/BLACK (2.4mm) , UL VW-1 RATED.  
 BEND LIMITED BOOT: PP, COLOR: BLUE.\*  
 \*UL94 V-0 RATED AT QUALIFYING THICKNESS.

2 TO BE USED WITH 900um BUFFERED FIBER.

3 BULK PACKAGE.

4. INSTRUCTION SHEET: 408-8674 AVAILABLE FOR DOWNLOAD AT  
[www.tycoelectronics.com/documents](http://www.tycoelectronics.com/documents) OR  
[www.ampnetconnect.com/foguide](http://www.ampnetconnect.com/foguide).



	NONE	6754264-8
3	1.6-2.0mm	6754264-7
3	2.4mm	6754264-6
	2.4mm	6754264-5
	1.6-2.0mm	6754264-4
2	SHORT BUFFER	6754264-2
	BOOT	PART NUMBER

<small>THIS DRAWING IS A CONTROLLED DOCUMENT FOR TYCO ELECTRONICS CORPORATION          IT IS SUBJECT TO CHANGE AND THE CONTROLLING ENGINEERING ORGANIZATION          SHOULD BE CONTACTED FOR THE LATEST REVISION.</small>		DWN B. BRIGGS 15JUL2005 CHK S. MILLER 15JUL2005 APVD S. BUCHTER 15JUL2005	<b>Tyco Electronics</b> Tyco Electronics Harrisburg, PA 17105-3608
DIMENSIONS: mm 	TOLERANCES UNLESS OTHERWISE SPECIFIED: 0 PLC ± 1 PLC ± 2 PLC ± 3 PLC ± 4 PLC ± ANGLES ± FINISH	PRODUCT SPEC APPLICATION SPEC WEIGHT CUSTOMER DRAWING	NAME SIZE CAGE CODE DRAWING NO RESTRICTED TO A2 00779 C-6754264 -
SCALE NTS SHEET 1 OF 1 REV AI			

## X-ON Electronics

Largest Supplier of Electrical and Electronic Components

*Click to view similar products for [Fiber Optic Connectors](#) category:*

*Click to view products by [TE Connectivity](#) manufacturer:*

Other Similar products are found below :

[0004700001](#) [6100-R](#) [6313](#) [F709034706](#) [F709722200](#) [F709730000](#) [F718183204](#) [F727403500](#) [F727752800](#) [FCXO-12-3BY](#) [FO-SCREW\(M2X6\)](#) [9440F20-27S-190](#) [944-120-6001](#) [944-125-6003](#) [9441F10SL-3P](#) [953-101-5310-P](#) [954-101-57202B](#) [A0270169](#) [12-9122](#) [12-5702](#) [143025NC](#) [DSAKB](#) [AX101713](#) [AX102420](#) [AX103923](#) [AX104193](#) [AX104230](#) [AX104562](#) [AX104683](#) [AX105203-B25](#) [AX105205-S1](#) [EHSC2M](#) [17-300800](#) [180-044NF06-11-2S](#) [180-044NF06-17-8P](#) [180-044NF07-11-2S](#) [181-011-126](#) [181-011-S](#) [181-057-126](#) [BT34IW](#) [HRFCP-HSCJ-1\(61\)](#) [HRFC-R2\(40\)](#) [NKSOPBUY](#) [20500002116](#) [2064996-1](#) [20800001065](#) [2170](#) [9132](#) [2612](#) [2620](#)