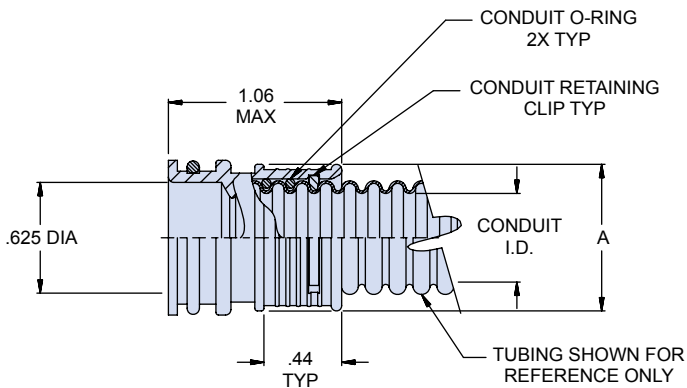
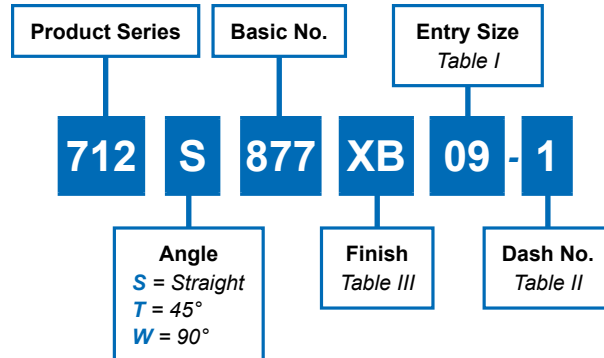


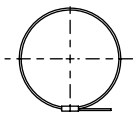
Composite Guardian junction box adapter for use with 140-200 and 140-108 boxes



How To Order



Symbol S
Straight,
No Clocking



SYM K - BAND
GLENAIR P/N 600-052-1

Material and Finish

O-rings: Silicone/NA
Elbow, adapter: High grade engineering thermoplastic, black/see Table III
Conduit retaining clip: High grade engineering thermoplastic, NA

Tools and Assembly notes

Master keyway angle for angular assemblies is measured with adapter body as shown
Conduit retaining clip and conduit O-ring to be supplied unassembled
Glenair assembly procedure AP74-010 is recommended for adapter to conduit termination
Glenair 600 Series backshell assembly tools are recommended for assembly and installation

712-877 Composite Junction Box Adapter

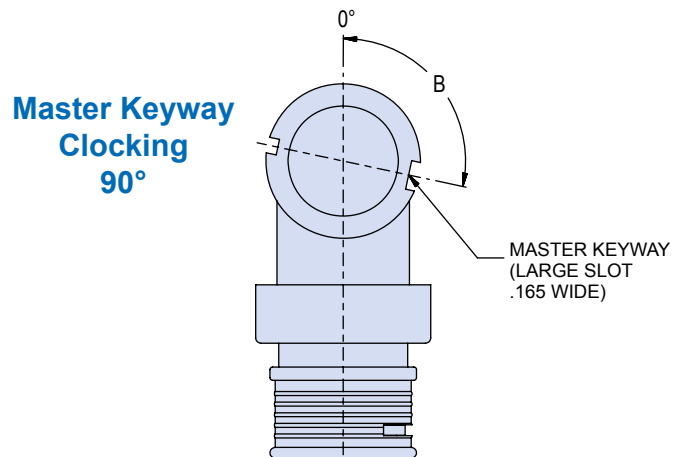
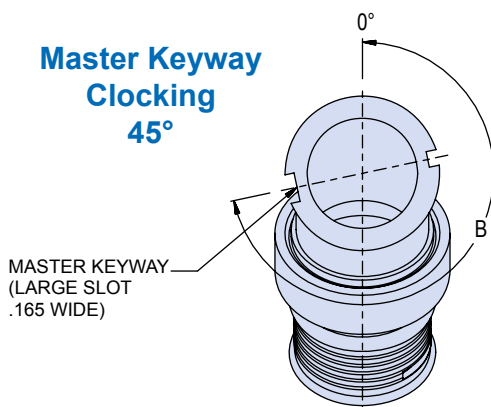
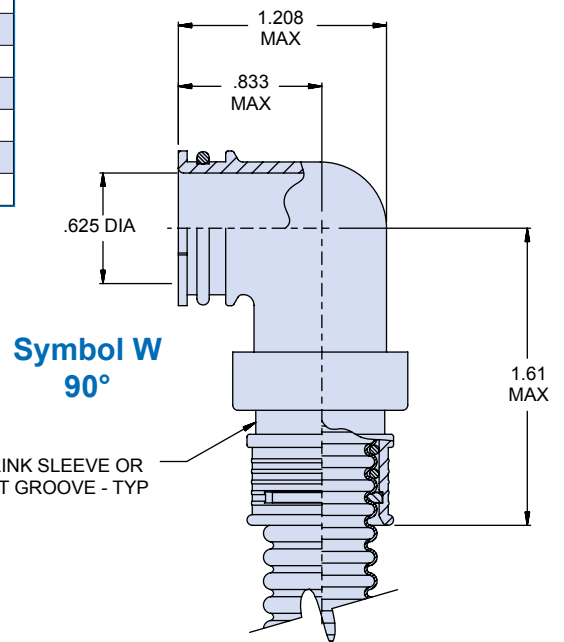
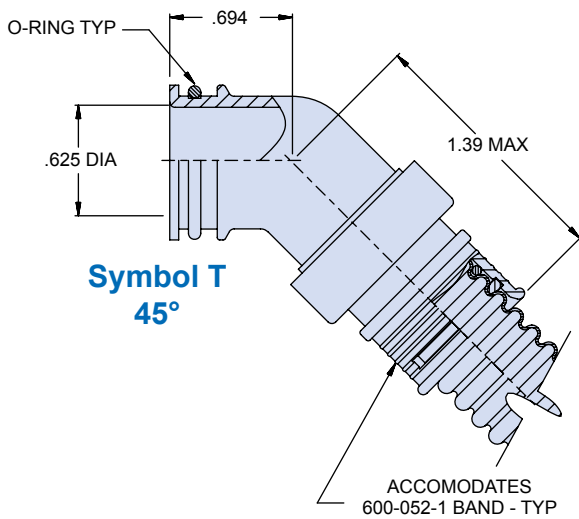


Series 72
Guardian

Entry Size	A Max	Conduit I.D.		Shrink Boot Ref
		Min	Max	
06	.53 (13.5)	.16 (4.1)	.19 (4.8)	770-001S103
09	.63 (16.0)	.24 (6.1)	.28 (7.1)	770-001S103
12	.73 (18.5)	.33 (8.4)	.37 (9.4)	770-001S104
16	.86 (21.8)	.45 (11.4)	.50 (12.7)	770-001S104
20	.98 (24.9)	.57 (14.5)	.62 (15.7)	770-001S105
24	1.15 (29.2)	.69 (17.5)	.75 (19.1)	770-001S106
28	1.27 (32.3)	.81 (20.6)	.87 (22.1)	770-001S107
32	1.40 (35.6)	.93 (23.6)	1.00 (25.4)	770-001S107

Dash No	B Deg
1	0
2	30
3	45
4	60
5	90
6	120
7	135
8	150
9	180
10	210
11	225
12	240
13	270
14	300
15	315
16	330

Symbol	Finish Description
XM	Electroless Nickel
XW	Cad/Olive Drab over Electroless Nickel
XB	Black color/Unplated



X-ON Electronics

Largest Supplier of Electrical and Electronic Components

Click to view similar products for [Rectangular Mil Spec Connectors](#) category:

Click to view products by [Glenair](#) manufacturer:

Other Similar products are found below :

[006-1169-16](#) [CSR31343-0001-00000](#) [CSR31346-0001-A0001](#) [CSR31899-0001-00000](#) [CSR31900-0001-A0001](#) [CTJ-3D-05](#) [CTS-S16/16](#)
[M55302/57A36X](#) [M55302/58-A70Y](#) [65002-062](#) [65008-D08](#) [CY4602-000](#) [732-8020-01](#) [732-8021-02 B](#) [77058-22-55PN](#) [81542-20](#)
[86.030.0053.0](#) [1241346-1](#) [RM252-020-311-2900](#) [DMC-M 08-16 SNE](#) [1589051-4](#) [BACC65CAMA](#) [BACC65CAMN](#) [BACC65CP1PN](#)
[BACI10BC1220PN](#) [18023-9](#) [HSB-D4S03DM222X](#) [2217548-1](#) [891-009-15SA2-BRT1T](#) [SIM2S100A](#) [1604996-2](#) [SMD25PN90L-4055](#)
[1925036-4](#) [220A012-25225-0](#) [22628-10-6P-791](#) [CSR31343-0001-A0001](#) [CSR31899-0001-A0001](#) [CSR31900-0001-00000](#) [33526M11-08PD](#)
[RE04-212S](#) [CTD160E01F-6148](#) [CTJ112E03B](#) [CTJ122E02D-8000](#) [CTJ-3D-12](#) [CTJ920E06N-513](#) [CTJ920E12N-513](#) [CTL-16-090](#) [CTR06-](#)
[5100SY](#) [M55302/63A20H](#) [M55302/66-30H](#)