

1.4

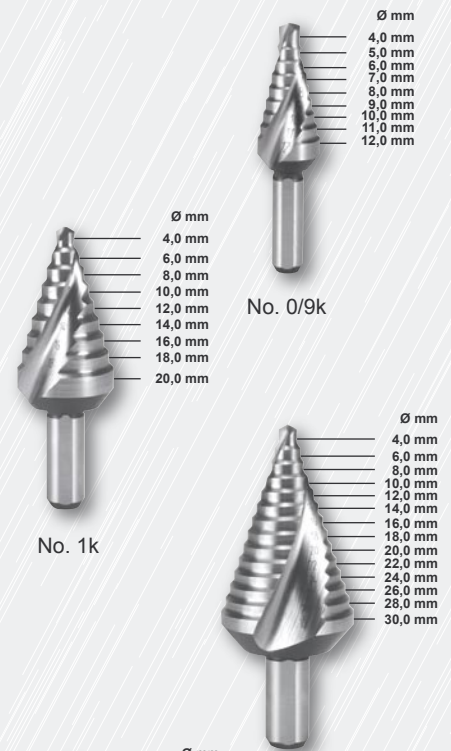
Step drills HSS, CBN ground, spiral fluted with split point

Point cut: work's specification with split point
DIN 1412 C
Point angle: 118°
Step angle: 90°
Ø-Tolerance: work's specification
Surface: bright
Right-hand cutting

The CBN ground and spiral flutes guarantee quiet running and high cutting performance. Especially the chip flow is optimized, so even long, non-breaking chips will be removed easily. The optimized chip flow protects the cutting edges and reduces built-up edges and cold weld marks. The cone makes it easier to withdraw the tool from the material. Step height 2 mm. **Ideal to produce switchboards.**

Packing unit: in plastic tubes of 1

Size no.	Drilling range mm	Total length mm	Steps	Shank-Ø mm	Article no.	Price / each €
0/9k	4,0 - 12,00	48	9	6	101 061	
1k	4,0 - 20,00	58	9	8	101 062	
2k	4,0 - 30,00	72	14	10	101 063	



No. 1k

No. 0/9k

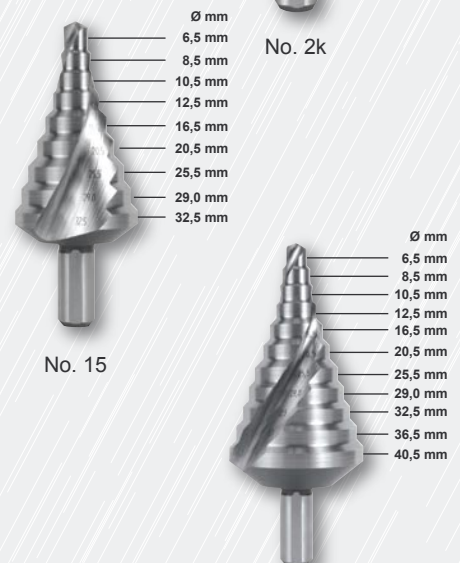
Step drills HSS, CBN ground, spiral fluted with split point for metric cable connections, through holes after DIN/EN 50262

Point cut: work's specification with split point
DIN 1412 C
Point angle: 118°
Step angle: 90°
Ø-Tolerance: work's specification
Surface: bright
Right-hand cutting

The CBN ground and spiral flutes guarantee quiet running and high cutting performance. Especially the chip flow is optimized, so even long, non-breaking chips will be removed easily. The optimized chip flow protects the cutting edges and reduces built-up edges and cold weld marks. The cone makes it easier to withdraw the tool from the material. Step height 4 mm.

Packing unit: in plastic tubes of 1

Size no.	Drilling range mm	Total length mm	Steps	Shank-Ø mm	Article no.	Price / each €
15	6,5 - 32,5	79	9	10	101 092	
17	6,5 - 40,5	96	11	10	101 090	



No. 15

No. 2k

Step drills HSS, CBN ground, spiral fluted with split point for metric cable connections, core holes after DIN/EN 60423

Point cut: work's specification with split point
DIN 1412 C
Point angle: 118°
Step angle: 90°
Ø-Tolerance: work's specification
Surface: bright
Right-hand cutting

The CBN ground and spiral flutes guarantee quiet running and high cutting performance. Especially the chip flow is optimized, so even long, non-breaking chips will be removed easily. The optimized chip flow protects the cutting edges and reduces built-up edges and cold weld marks. The cone makes it easier to withdraw the tool from the material. Step height 4 mm.

Packing unit: in plastic tubes of 1

Size no.	Drilling range mm	Total length mm	Steps	Shank-Ø mm	Article no.	Price / each €
14	5,3 - 30,5	79	9	10	101 093	
16	5,3 - 38,5	96	11	10	101 091	



No. 14

No. 17

No. 16

X-ON Electronics

Largest Supplier of Electrical and Electronic Components

Click to view similar products for [ruko](#) manufacturer:

Other Similar products are found below :

[214214](#) [214043](#) [214017](#) [202040E](#) [208040](#) [214049](#) [214053](#) [214217](#) [101021](#) [101062](#) [232-040](#) [102146](#) [102303E](#) [101051](#) [242-207](#) [102411](#)
[107015](#) [245001](#) [242-205](#) [116048](#) [102771](#) [102785](#) [244201](#) [244202](#) [A215214RO](#) [A215215RO](#) [217-020](#) [214057](#) [202033E](#) [202030E](#) [214020](#)
[214044](#) [214096](#) [215030](#) [232025](#) [102302E](#) [237-030](#) [102114E](#) [A214215RO](#) [217-315](#) [214100](#) [214047](#) [208050](#) [214062](#) [214140](#) [214150](#)
[230025](#) [241 001](#) [241-010](#) [241-100](#)