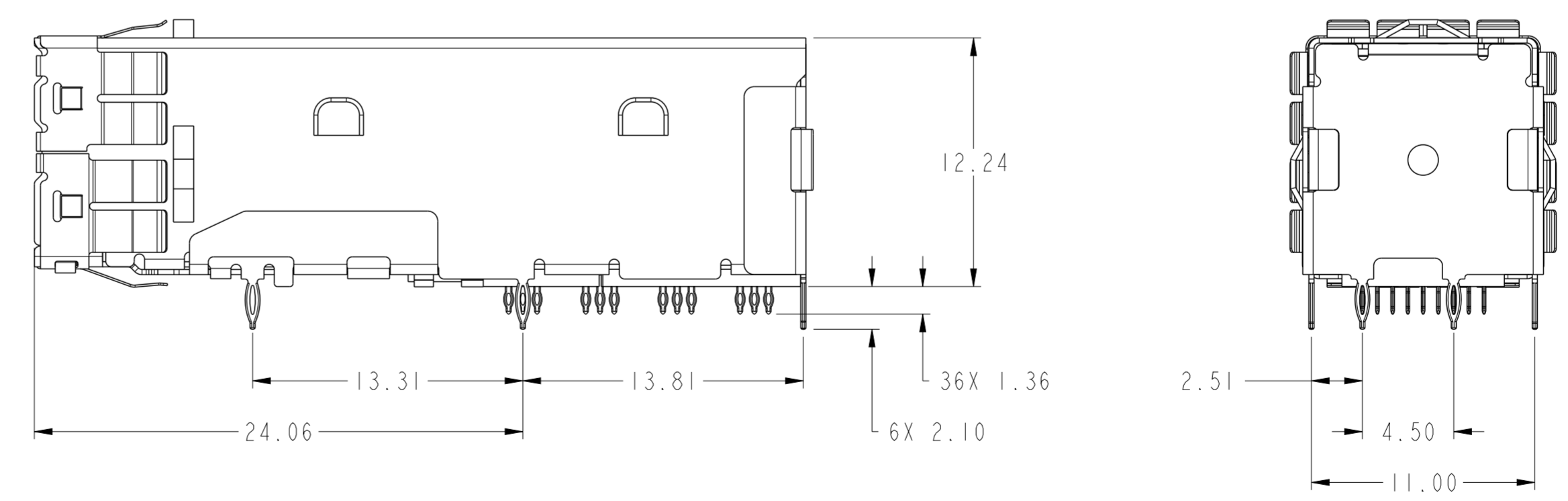
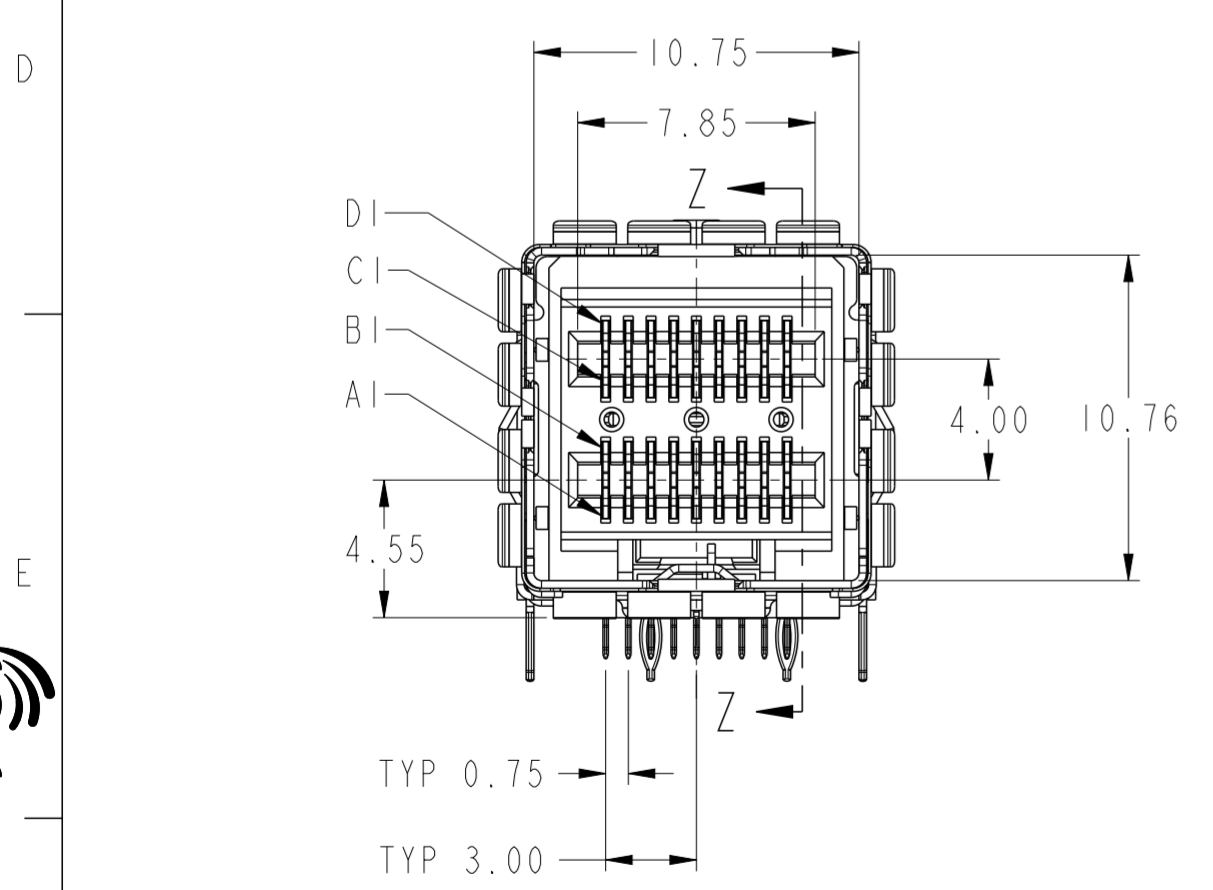
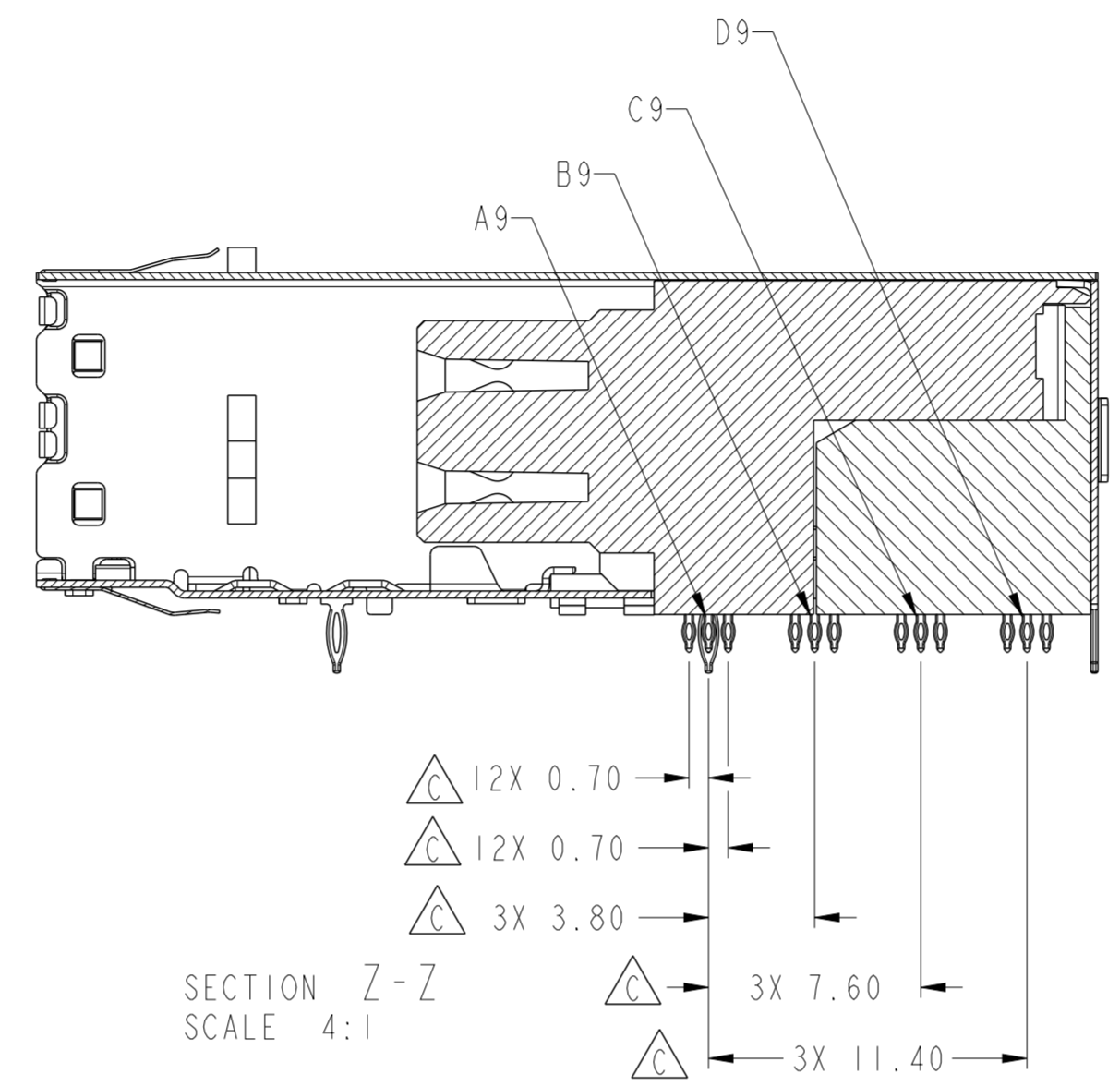
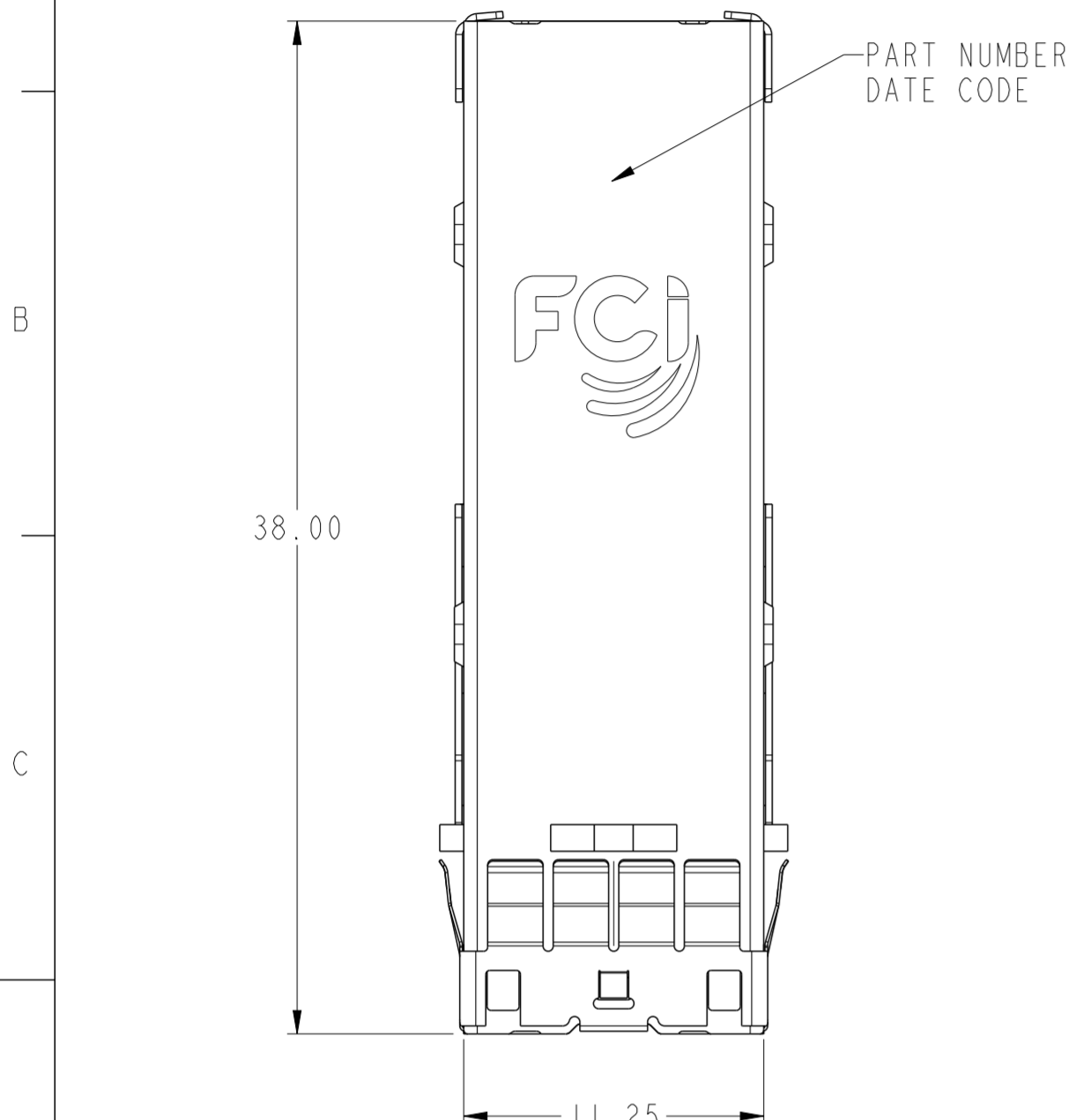


| PRODUCT NUMBER | TAIL PLATING OPTION, SEE NOTE 2 | DESCRIPTION   |
|----------------|---------------------------------|---------------|
| 10112626-101   | OPTION 1                        | WITHOUT STOPS |
| 10112626-101LF | OPTION 2                        | WITHOUT STOPS |
| 10112626-102   | OPTION 1                        | WITH STOPS    |
| 10112626-102LF | OPTION 2                        | WITH STOPS    |

NOTES:

- MATERIALS:**  
CONNECTOR HOUSING: HIGH TEMPERATURE THERMOPLASTIC GLASS FILLED, UL 94V-0  
EMI CAGE: NICKEL SILVER ALLOY  
EMI FINGERS: COPPER ALLOY  
TERMINALS: COPPER ALLOY
- FINISHES:**  
EMI FINGERS: 0.50µm MIN NICKEL  
CONTACT AREA: 0.76µm MIN GOLD OVER 2.54µm MIN NICKEL  
TAIL AREA:  
OPTION 1: 0.76µm - 1.52µm TIN/LEAD (90/10) OVER 2.54µm MIN NICKEL  
OPTION 2: 0.76µm - 1.52µm TIN (LEAD FREE) OVER 2.54µm MIN NICKEL
- PRODUCT SPECIFICATION:** GS-12-651  
**APPLICATION SPECIFICATION:** GS-20-0327
- MOUNTING HARDWARE:** M2X0.4 BUTTON HEAD SCREW  
MOUNTING SCREW LENGTH: BOARD THICKNESS + 1.4mm MAX (0.9mm MIN).  
1 REQUIRED PER ASSEMBLY
- THIS CONNECTOR IS DESIGNED TO MEET THE REQUIREMENTS OF INDUSTRY SPECIFICATION SFF-8644.
- THE USE OF A PCI BRACKET OR EQUIVALENT IS REQUIRED FOR THIS PRODUCT
- A  $\triangle$  SYMBOL WILL BE NEXT TO ANY DIMENSION, VIEW, OR NOTE THAT HAS BEEN MODIFIED WITH THE CURRENT DRAWING REVISION.

| MATES WITH MINI-SAS HD ENDS IN: |
|---------------------------------|
| 10112041 SERIES (4X)            |
| 10117771 SERIES (4X)            |
| 10117946 SERIES (4X)            |
| 10117949 SERIES (4X)            |

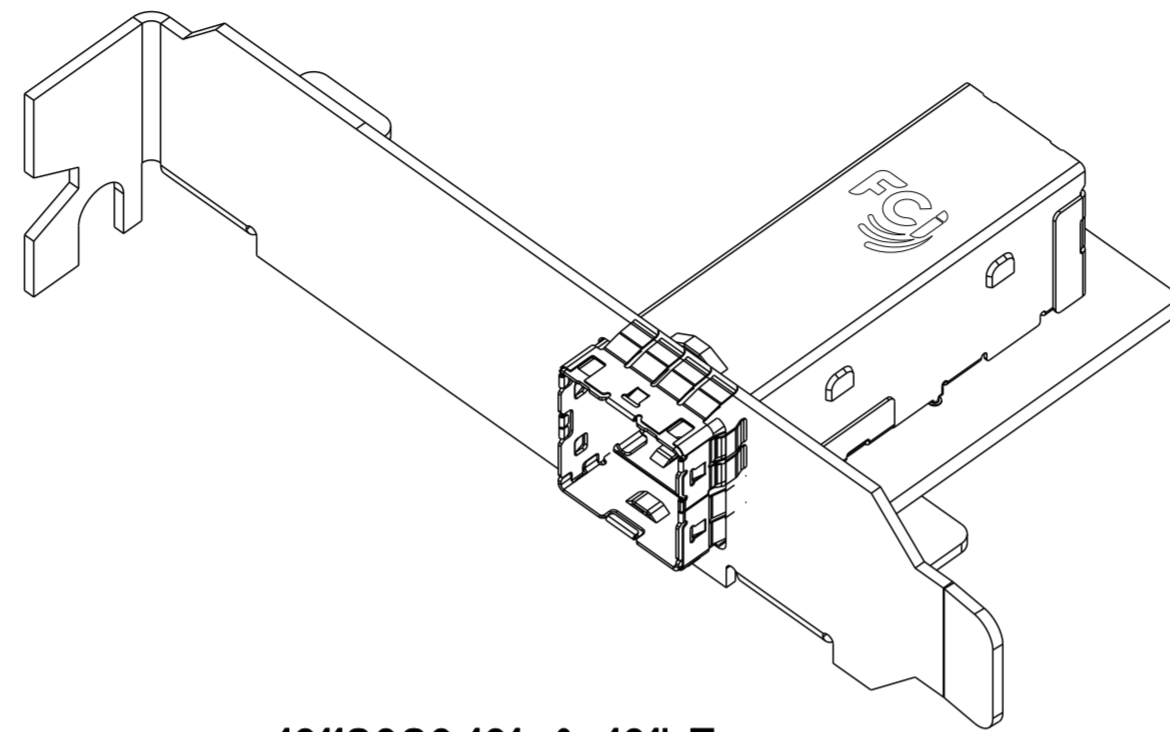


|                                       |            |         |            |            |             |          |               |                        |                |             |           |
|---------------------------------------|------------|---------|------------|------------|-------------|----------|---------------|------------------------|----------------|-------------|-----------|
| spec ref                              | -          | dr      | Mark Gray  | 2010/08/04 | projection  | MM       | size          | A2                     | scale          | 4:1         |           |
| tolerance std                         | ASME Y14.5 | eng     | M Scholeno | 2012/09/10 |             |          | ecn no        | ELX-V-012260-1         |                |             |           |
| TOLERANCES UNLESS OTHERWISE SPECIFIED |            | chr     | -          | appr       |             |          | Brad Brubaker | 2012/09/12             | product family | MINI-SAS HD | rel level |
| surface                               | ASME Y14.5 | linear  | 0.X        | ±0.25      |             |          | title         | 1x1 EXTERNAL ASSEMBLY  |                | rev         | C         |
|                                       |            | angular | 0°         | ±1/2°      | www.fci.com | cat. no. | -             | Product - Customer Drw | sheet 1 of 7   |             |           |

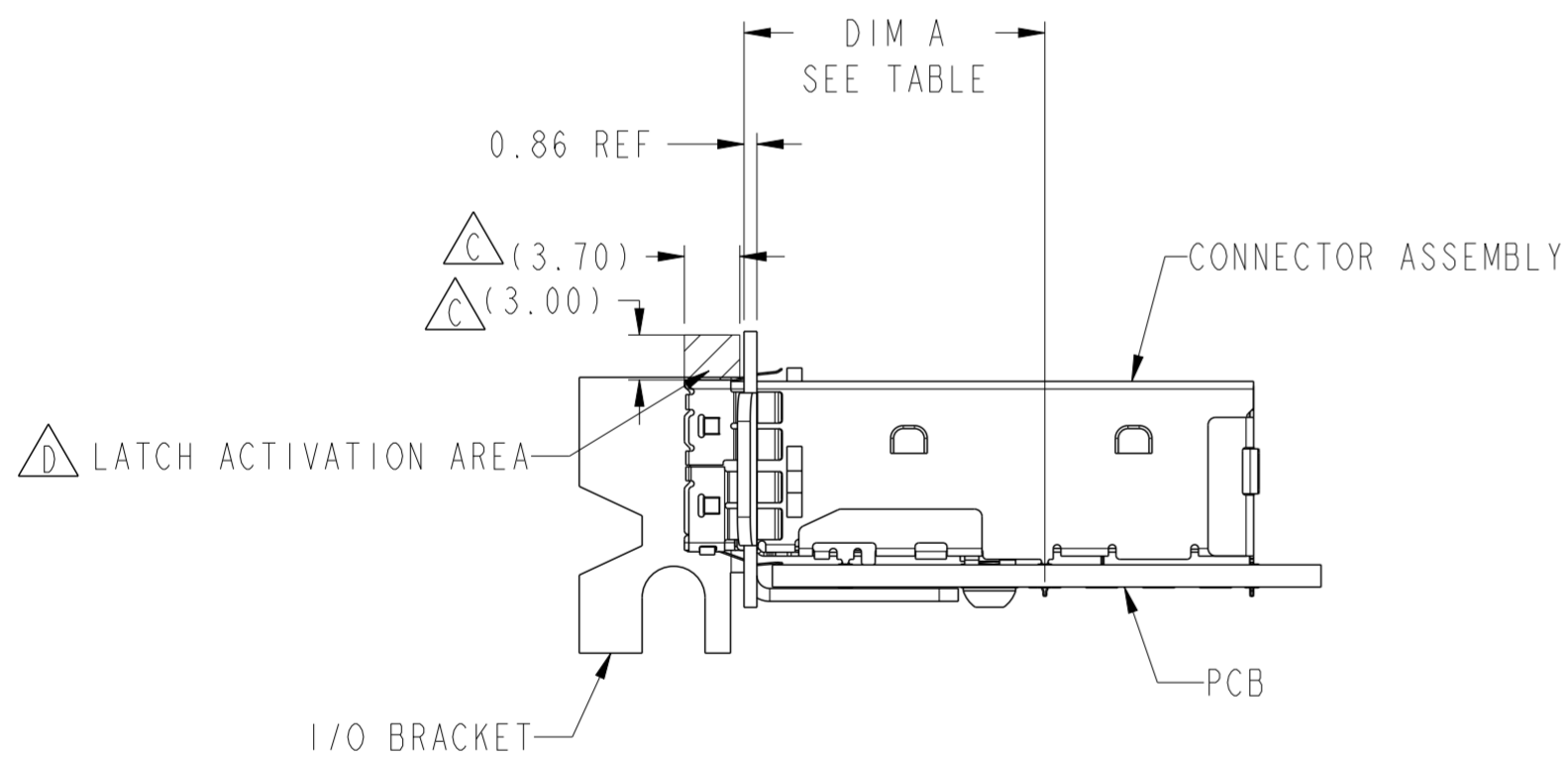
Copyright FCI.

| APPLICATION            | DIM A        |
|------------------------|--------------|
| PCI ADD-IN CARD        | 19.00 ± 0.15 |
| ALL OTHER APPLICATIONS | 20.08 ± 0.15 |

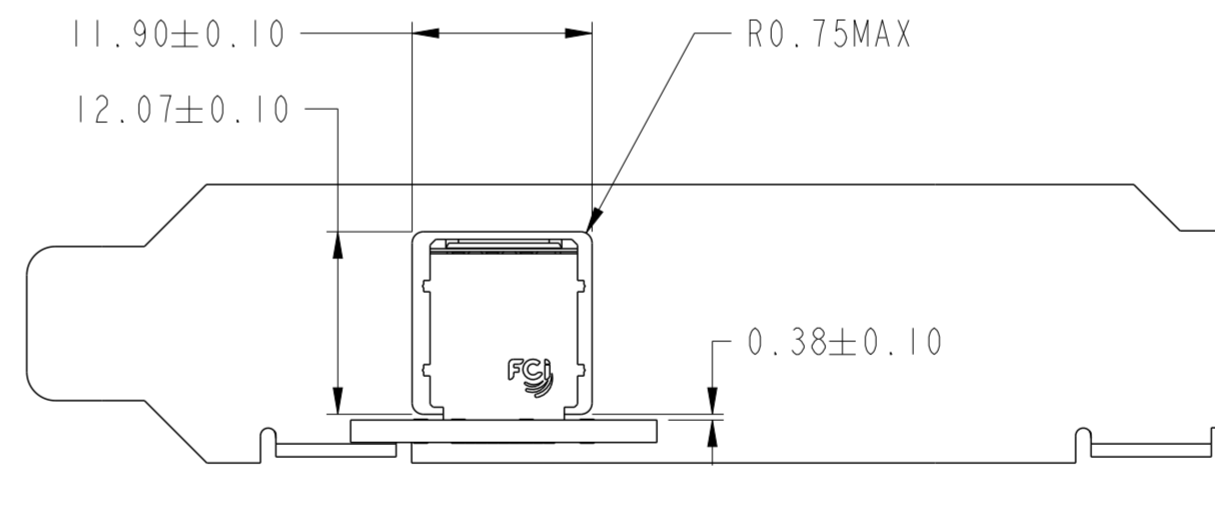
I/O BRACKET CUT OUT  
(BRACKET NOT SUPPLIED)  
SEE NOTE 6



10112626-101 & 101LF  
WITHOUT STOPS  
SCALE 2:1



ASSEMBLED VIEW  
WITHOUT STOPS  
SCALE 2:1

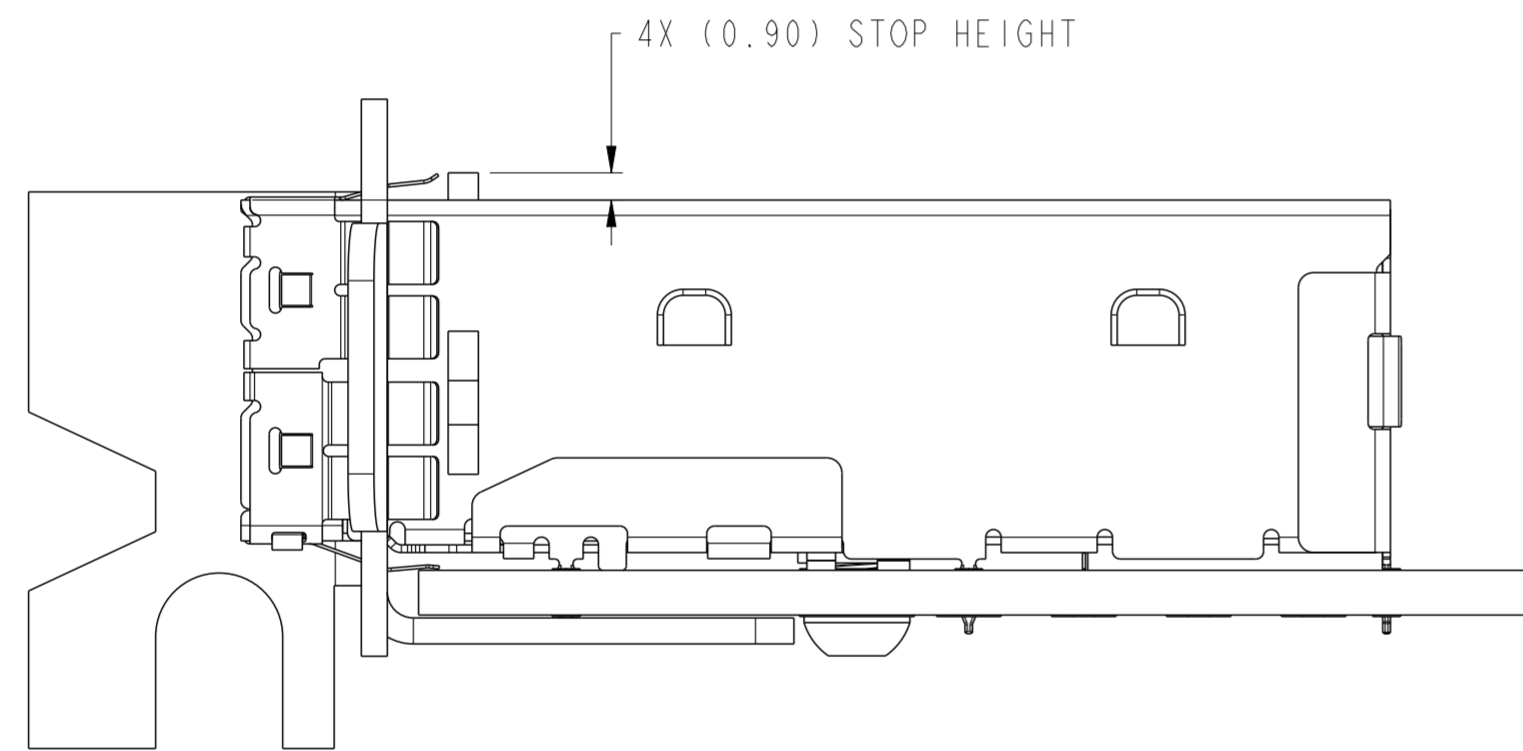


|                                       |            |      |               |                |            |                       |        |                |           |          |             |          |   |                        |              |
|---------------------------------------|------------|------|---------------|----------------|------------|-----------------------|--------|----------------|-----------|----------|-------------|----------|---|------------------------|--------------|
| spec ref                              | -          | dr   | Mark Gray     | 2010/08/04     | projection | MM                    | size   | A2             | scale     | 1:1      |             |          |   |                        |              |
| tolerance std                         | ASME Y14.5 | eng  | M Scholeno    | 2012/09/10     |            |                       | ecn no | ELX-V-012260-1 | rel level | Released |             |          |   |                        |              |
| TOLERANCES UNLESS OTHERWISE SPECIFIED |            | chr  | -             | product family |            |                       |        |                |           |          | MINI-SAS HD |          |   |                        |              |
| surface                               | ✓          | appr | Brad Brubaker | 2012/09/12     | title      | I/O EXTERNAL ASSEMBLY |        | dwg no         | 10112626  | rev      | C           |          |   |                        |              |
| ASME Y14.5                            | linear     | 0.X  | ±0.25         | 0.XX           | ±0.13      | 0.XXX                 | ±      | angular        | 0°        | ±1/2°    | www.fci.com | cat. no. | - | Product - Customer Drw | sheet 2 of 7 |

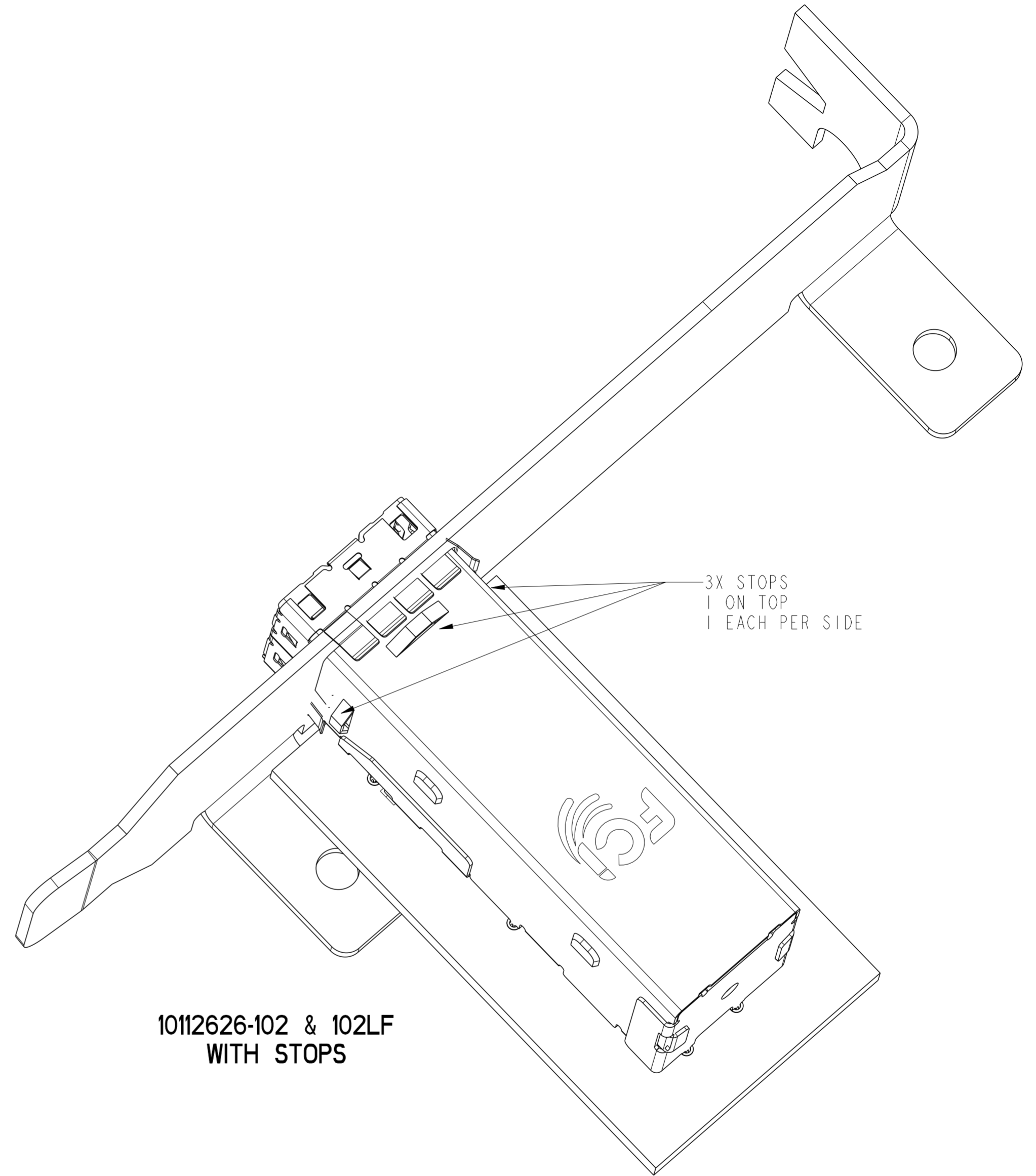


1 2 3 4 5 6 7 8

A  
B  
C  
D  
E  
F



ASSEMBLED VIEW  
WITH STOPS  
SCALE 4:1



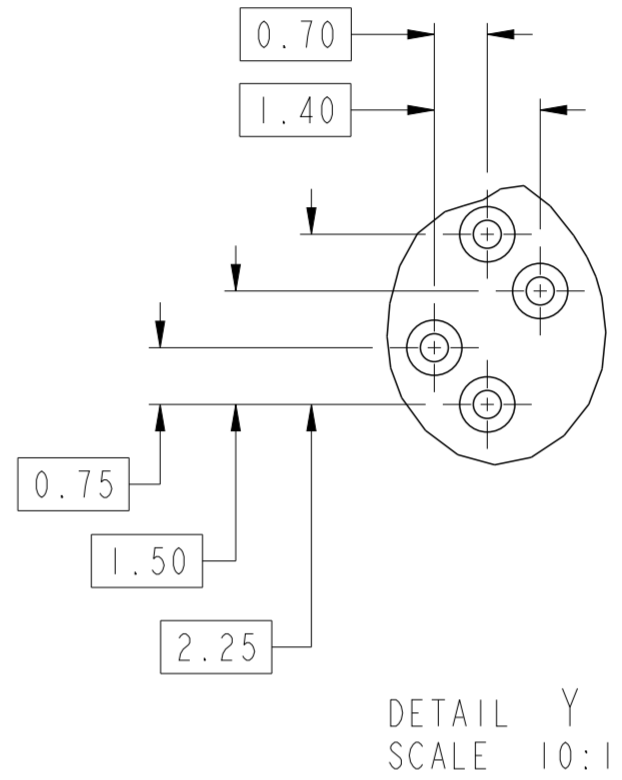
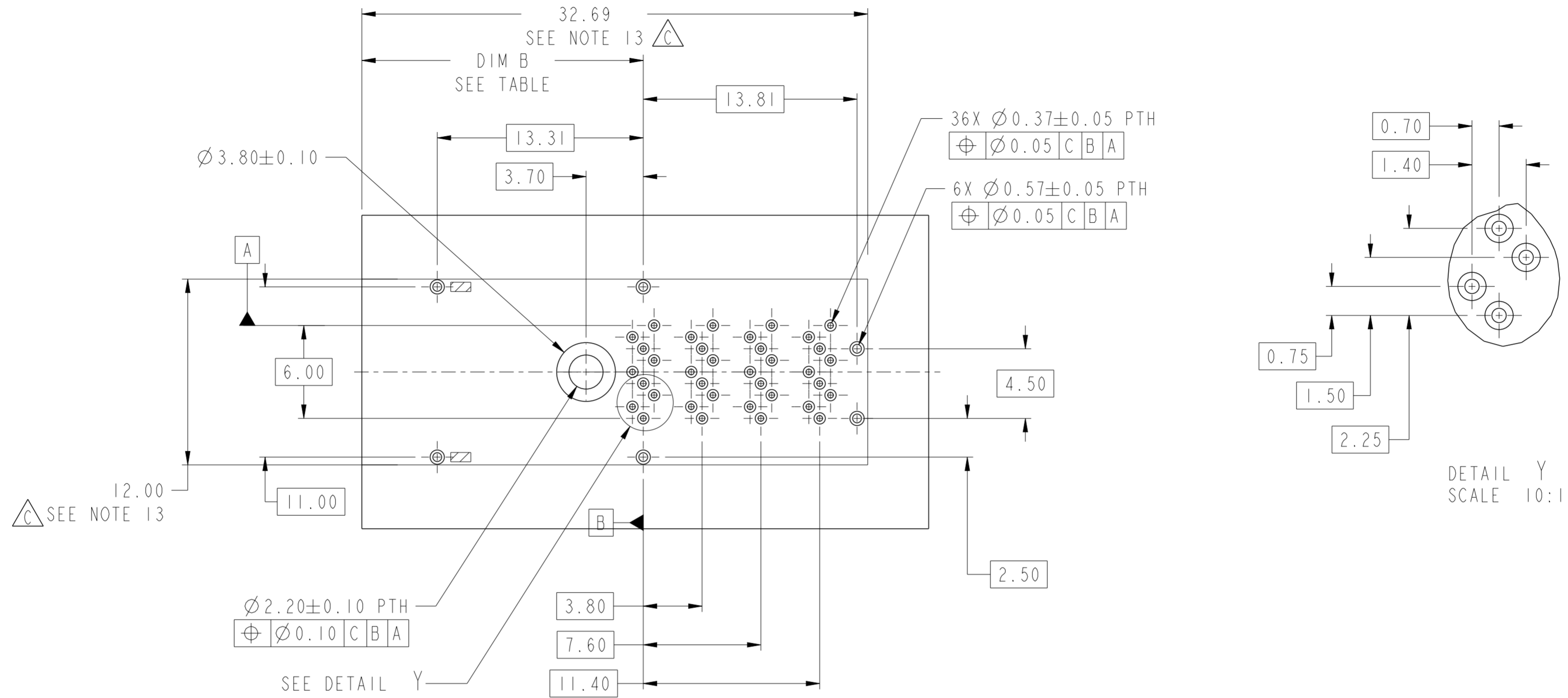
10112626-102 & 102LF  
WITH STOPS

Copyright FCI.  
**FCI**

|               |            |         |            |            |            |   |               |                                     |                |             |
|---------------|------------|---------|------------|------------|------------|---|---------------|-------------------------------------|----------------|-------------|
| spec ref      | -          | dr      | Mark Gray  | 2010/08/04 | projection | MM  | size          | A2                                  | scale          | 1:1         |
| tolerance std | ASME Y14.5 | eng     | M Scholeno | 2012/09/10 |            |   | ecn no        | ELX-V-012260-1                      |                |             |
|               |            | chr     | -          | appr       |            |   | Brad Brubaker | 2012/09/12                          | product family | MINI-SAS HD |
| surface       | ✓          | linear  | 0.X        | ±0.25      |            | title<br>IxI EXTERNAL ASSEMBLY<br>MINI-SAS HD | dwg no        | 10112626                            |                |             |
|               |            |         | 0.XX       | ±0.13      |            |   | rev           | C                                   |                |             |
|               |            | angular | 0°         | ±1/2°      |            |   | cat. no.      | Product - Customer Drw sheet 3 of 7 |                |             |

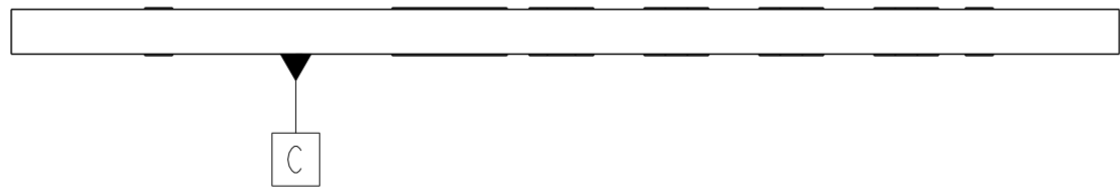
|                        |              |
|------------------------|--------------|
| APPLICATION            | DIM B        |
| PCI ADD-IN CARD        | 17.10 ± 0.15 |
| ALL OTHER APPLICATIONS | 18.19 ± 0.15 |

# RECOMMENDED BOARD LAYOUT



**NOTES:**

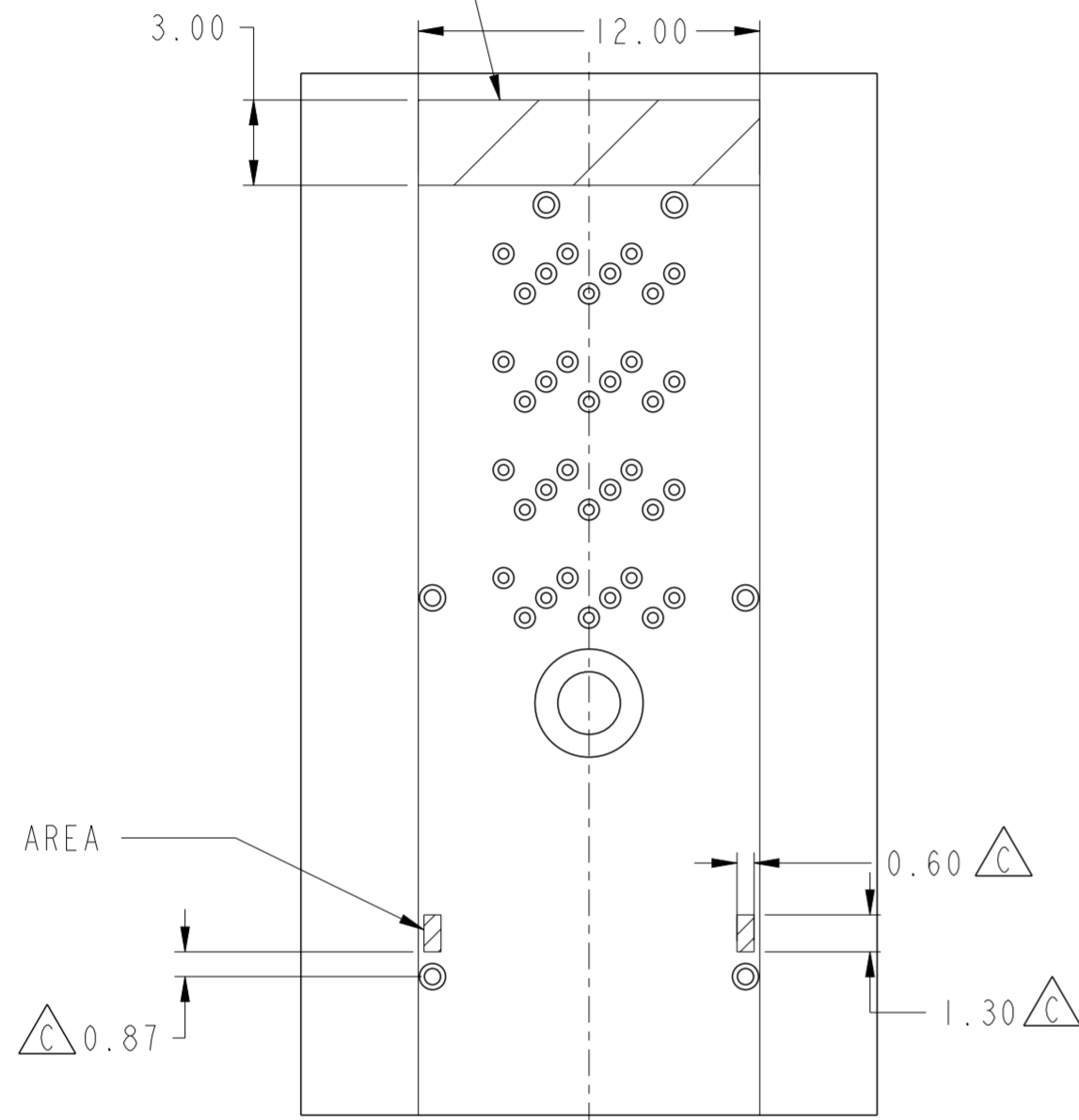
8. RECOMMENDED DRILL SIZE FOR A Ø0.37 FINISHED PTH IS Ø0.457.
9. RECOMMENDED ANNULAR RING AROUND Ø0.37 FINISHED PTH IS Ø0.73.
10. RECOMMENDED DRILL SIZE FOR A Ø0.57 FINISHED PTH IS Ø0.68.
11. RECOMMENDED ANNULAR RING AROUND A Ø0.57 FINISHED PTH IS Ø0.93.
12. MINIMUM RECOMMENDED CENTER TO CENTER SPACING BETWEEN ADJACENT CONNECTORS: 14.00mm
13. CONNECTOR KEEP OUT AREA.
14. MINIMUM PCB THICKNESS: 1.57mm.



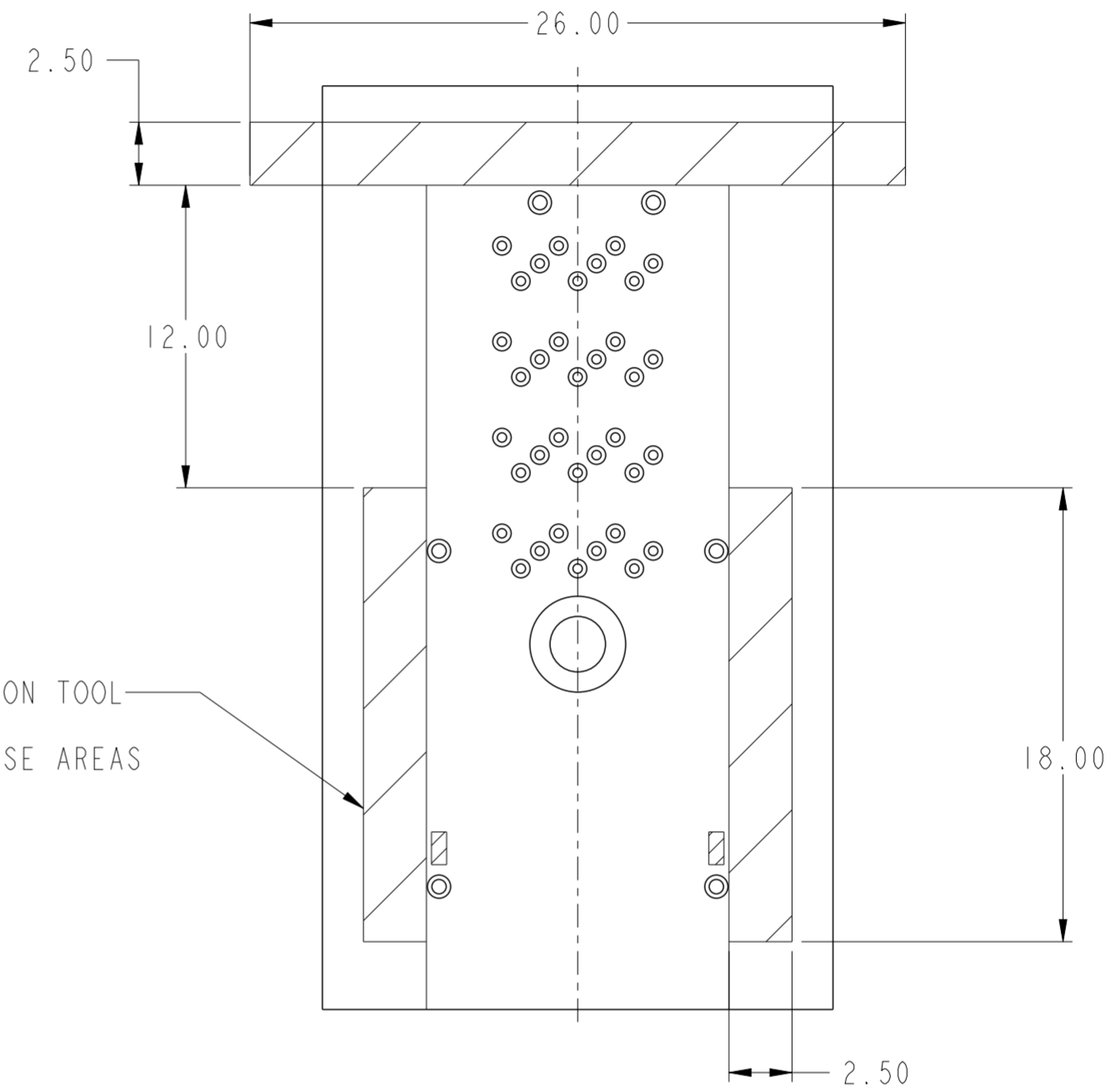
|               |            |      |               |            |                |             |          |                |           |          |
|---------------|------------|------|---------------|------------|----------------|-------------|----------|----------------|-----------|----------|
| spec ref      | -          | dr   | Mark Gray     | 2010/08/04 | projection     | MM          | size     | A2             | scale     | 1:1      |
| tolerance std | ASME Y14.5 | eng  | M Scholeno    | 2012/09/10 | chr            | -           | ecn no   | ELX-V-012260-1 | rel level | Released |
| surface       | ✓          | appr | Brad Brubaker | 2012/09/12 | product family | MINI-SAS HD | cat. no. | 10112626       | rev       | C        |
| ASME Y14.5    | linear     | 0.X  | ±0.25         | 0.XX       | ±0.13          | 0.XXX       | ±-       | angular        | 0°        | ±1/2°    |

# RECOMMENDED TOOLING KEEP OUT AREAS

RECOMMENDED INSERTION TOOL  
KEEP OUT AREA  
NO COMPONENTS IN THIS AREA  
MORE THAN 7.50mm TALL



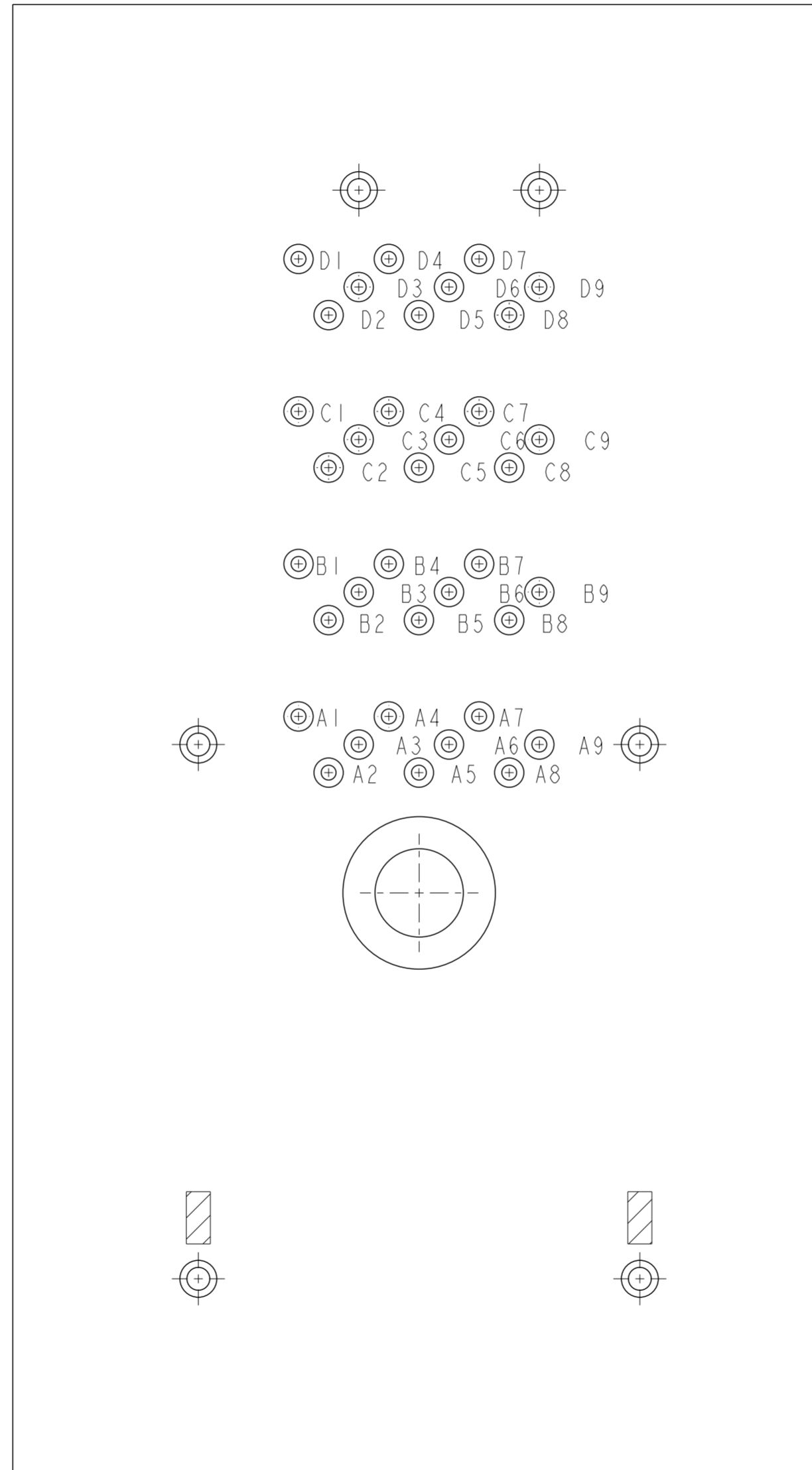
RECOMMENDED EXTRACTION TOOL  
KEEP OUT AREA  
NO COMPONENTS IN THESE AREAS



|               |            |      |               |            |                |             |          |                |           |          |
|---------------|------------|------|---------------|------------|----------------|-------------|----------|----------------|-----------|----------|
| spec ref      | -          | dr   | Mark Gray     | 2010/08/04 | projection     | MM          | size     | A2             | scale     | 1:1      |
| tolerance std | ASME Y14.5 | eng  | M Scholeno    | 2012/09/10 | chr            | -           | ecn no   | ELX-V-012260-1 | rel level | Released |
| surface       | ✓          | appr | Brad Brubaker | 2012/09/12 | product family | MINI-SAS HD | cat. no. | 10112626       | rev       | C        |
| ASME Y14.5    | linear     | 0.X  | ±0.25         | 0.XX       | ±0.13          | 0.XXX       | ±-       | angular        | 0°        | ±1/2°    |



# PIN OUT DESIGNATIONS



|               |            |             |               |            |                |                       |          |                        |           |              |
|---------------|------------|-------------|---------------|------------|----------------|-----------------------|----------|------------------------|-----------|--------------|
| spec ref      | -          | dr          | Mark Gray     | 2010/08/04 | projection     | MM                    | size     | A2                     | scale     | 1:1          |
| tolerance std | ASME Y14.5 | eng         | M Scholeno    | 2012/09/10 | chr            | -                     | ecn no   | ELX-V-012260-1         | rel level | Released     |
| surface       | ✓          | appr        | Brad Brubaker | 2012/09/12 | product family | MINI-SAS HD           | cat. no. | 10112626               | rev       | C            |
| ASME Y14.5    | linear     | 0.X         | ±0.25         | 0.XX       | ±0.13          | 0.XXX                 | ±        | angular                | 0°        | ±1/2°        |
|               |            | www.fci.com |               | title      |                | IXI EXTERNAL ASSEMBLY |          | Product - Customer Drw |           | sheet 6 of 7 |

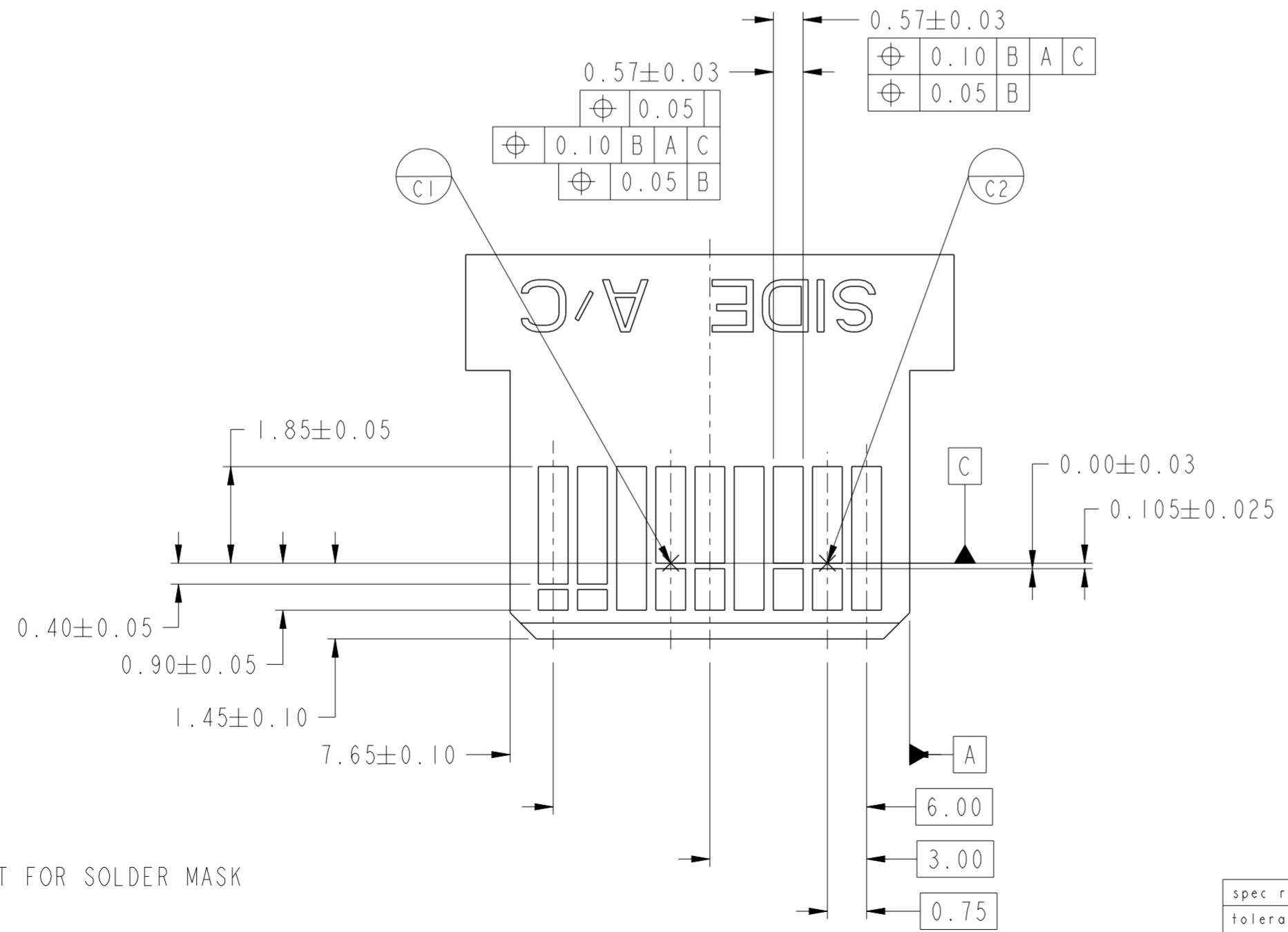
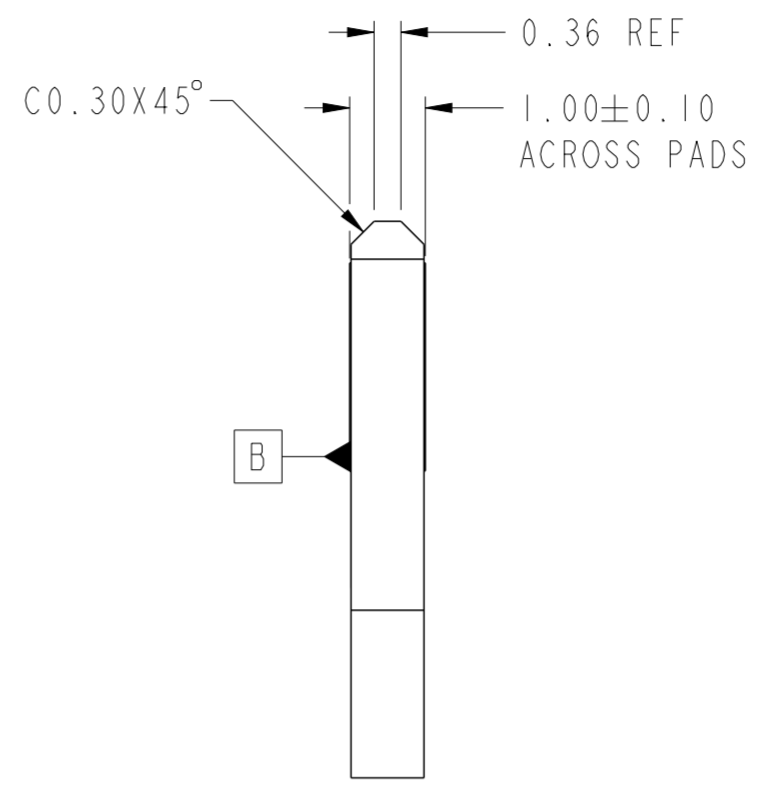
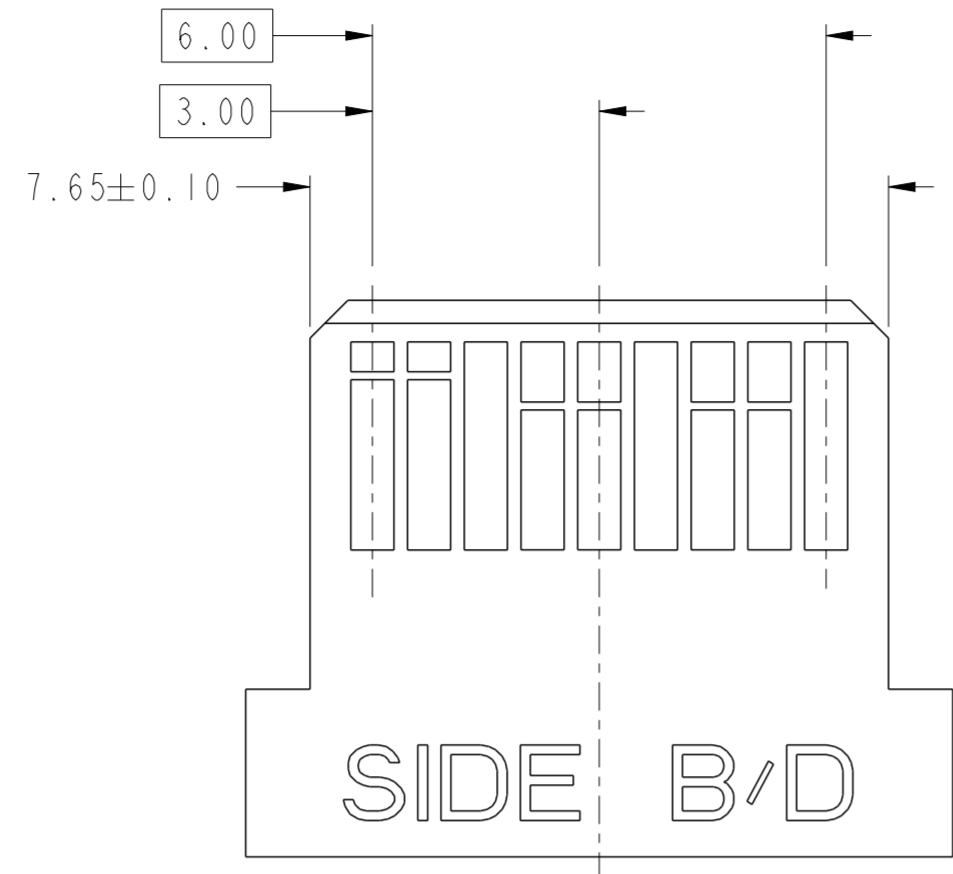
PDS: Rev :C

STATUS:Released

Printed: Sep 13, 2012



Copyright FCI.



- NOTES:
- 15. 0.05 MINIMUM KEEP OUT FOR SOLDER MASK AROUND ALL PADS.
  - 16. DATUM D TARGETS ARE DEFINED BY THE RESPECTIVE PAD CENTER LINES AND THE LEADING EDGE OF THE TARGET PADS.

|               |            |      |               |            |                |             |          |                |           |          |
|---------------|------------|------|---------------|------------|----------------|-------------|----------|----------------|-----------|----------|
| spec ref      | -          | dr   | Mark Gray     | 2010/08/04 | projection     | MM          | size     | A2             | scale     | 1:1      |
| tolerance std | ASME Y14.5 | eng  | M Scholeno    | 2012/09/10 | chr            | -           | ecn no   | ELX-V-012260-1 | rel level | Released |
| surface       | ✓          | appr | Brad Brubaker | 2012/09/12 | product family | MINI-SAS HD | cat. no. | 10112626       | rev       | C        |
| ASME Y14.5    | linear     | 0.X  | ±0.25         | 0.XX       | ±0.13          | 0.XXX       | ±-       | angular        | 0°        | ±1/2°    |

Copyright FCI.

## X-ON Electronics

Largest Supplier of Electrical and Electronic Components

*Click to view similar products for [I/O Connectors](#) category:*

*Click to view products by [FCT Electronics](#) manufacturer:*

Other Similar products are found below :

[571763P](#) [58098-0628](#) [61-168618-12P](#) [D38999/20FJ24PA L/C](#) [D38999/20FJ29SB L/C](#) [D38999/24FG11SN L/C](#) [72.250.1628.2](#) [72.250.2428.2](#)  
[74720-0505](#) [747680210](#) [76.350.0729.0](#) [76871-1403](#) [FCN-244F080-G/1](#) [FCN-260A9920](#) [FCN-268D024-G/2F#10X-R10](#) [MP-5T180MUNNA-005](#) [MP-5XRJ45UNNB-003](#) [PCS-E50FA](#) [PCS-XE26LKA](#) [PCS-XE26MA+](#) [PCS-XES68MS+](#) [G38A71314B](#) [91-569719-35R](#) [9776-18-6](#)  
[DX40-50P\(55\)](#) [1571250010](#) [157-22500-3](#) [MS3471L14-19P L/C](#) [MS3476W12-10S L/C](#) [171224-6031](#) [1888020-8](#) [91-569786-35H](#) [91-569786-35M](#) [91-644626-35P](#) [172501-4002](#) [172501-6002](#) [FCN-260C008-A/L0](#) [FCN-260C024-AL0](#) [FCN-261Z008](#) [FCN-268D008-G/1K](#) [2000314-1](#)  
[200331-1](#) [2007498-2](#) [PCR-E28LMDAG1+](#) [PCR-E36FC+](#) [PCS-E28FS+](#) [PCS-XE26SLFD+](#) [PCS-XE26SLFDT+](#) [G38A71214B](#) [HDRA-E68W1LFDTC-SL+](#)