

Neodymium (NdFeB) Adhesive Backed Disc Magnet

- 3M 486 Adhesive backing for best adhesion
- Quick release tab for fast and effective release liner removal
- Strongest magnet material available
- Maximum operating temperature 80 °C

Our self-adhesive neodymium (NdFeB) disc magnets are available in two types - one with a North pole visible (/N versions) and one with a South pole visible (/S versions).

If these magnets are used to magnetically attract mild steel surfaces then either the North or the South versions can be used - for note they will give the same pull force as each other.

If these magnets are used to attract to each other, for example to close a cardboard folder, you will need a North pole version to attract a South pole version (unlike poles attract).

Note that the side with the 3M 486 adhesive backing is also magnetic with the polarity opposite to that stated for the magnet (i.e. the North visible version has a South pole on the



adhesive side; the South visible version has a North pole on the adhesive side) - this information may be useful to those wishing to hide magnets away in their product (such as folding over - ensure unlike poles are facing each other for attraction between magnets).

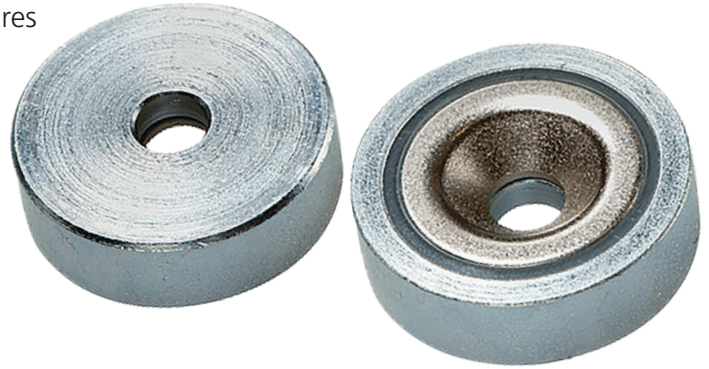
Our neodymium (NdFeB) adhesive backed disc magnets are nickel plated unless stated otherwise. Other sizes, shapes, grades and coatings (such as black epoxy) are available upon request. Neodymium adhesive backed disc magnets with higher operating temperatures can be supplied by special request.

Product Information

Part Number	Material Grade	Diameter mm	Height mm	Polarity	Coating	Holding force kgs	Adhesive Type	Pack size	Product weight per pack g
N850N	N42	6	1	North	Nickel Plated	0.30	3M 468 Adhesive with quick release Tab	50	11.65
N850S	N42	6	1	South	Nickel Plated	0.30	3M 468 Adhesive with quick release Tab	50	11.65
N851N	N42	8	1	North	Nickel Plated	0.40	3M 468 Adhesive with quick release Tab	50	18.76
N851S	N42	8	1	South	Nickel Plated	0.40	3M 468 Adhesive with quick release Tab	50	18.76
N852N	N42	10	1	North	Nickel Plated	0.50	3M 468 Adhesive with quick release Tab	50	30
N852S	N42	10	1	South	Nickel Plated	0.50	3M 468 Adhesive with quick release Tab	50	30
N853N	N42	12	1	North	Nickel Plated	0.65	3M 468 Adhesive with quick release Tab	50	41.66
N853S	N42	12	1	South	Nickel Plated	0.65	3M 468 Adhesive with quick release Tab	50	41.66
N854N	N42	15	1	North	Nickel Plated	0.80	3M 468 Adhesive with quick release Tab	50	67.5
N854S	N42	15	1	South	Nickel Plated	0.80	3M 468 Adhesive with quick release Tab	50	67.5

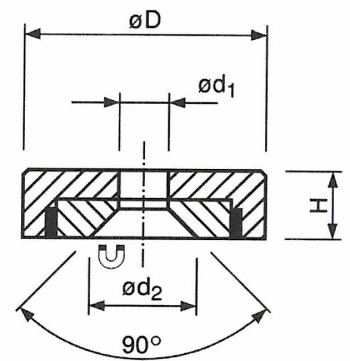
Neodymium Countersunk Shallow Pot Magnet

- Zinc plated body
- 80°C operating temperature
- Easily secured in position using a countersunk screw
- Used in point of sale displays, False Ceilings, light fixtures and fittings and general holding applications



Product Information

Part Number	Diameter mm	Height mm	Hole size mm	Screw head	Weight g	Pull force kg	Units/ Pack
E1000/NEO	16	4.5	3.5	M3	6	7.5	20
E1001/NEO	20	6	4.5	M4	13	10.5	10
E1002/NEO	25	7	4.5	M4	24	16	10
E1003/NEO	32	7	5.5	M5	39	31	10
E1004/NEO	40	8	5.5	M5	73	50	5



www.eclipsemagnetics.com

Eclipse Magnetics Ltd, Atlas Way, Sheffield, S4 7QQ, England

T +44 (0)114 225 0600 F +44 (0)114 225 0525 E info@eclipsemagnetics.com W www.eclipsemagnetics.com

While every effort has been made to ensure the accuracy of the information in this publication please note that specifications may change without notice.



FM31278



A world leader in magnetic technology

X-ON Electronics

Largest Supplier of Electrical and Electronic Components

Click to view similar products for [eclipse manufacturer](#):

Other Similar products are found below :

[FM664](#) [FM665](#) [E846](#) [N854S](#) [E1022/NEO](#) [E602](#) [902-340](#) [SD-T635-0112](#) [E802](#) [E772NEO/F](#) [N820](#) [N852N](#) [E1030/NEO](#) [E771NEO](#) [N807](#)
[E998/NEO](#) [EM967-R](#) [902-321](#) [E756NEO](#) [827](#) [E864](#) [E906/F](#) [902-551-50](#) [CE-0275](#) [E876](#) [N851S](#) [E862](#) [E1042/NEO](#) [FM652/F](#) [828](#) [E805](#)
[E1032/NEO](#) [PK-ST902](#) [902-545](#) [E1001/NEO](#) [900-005](#) [E1033/NEO](#) [E878](#) [SD-T635-16](#) [902-306](#) [N800](#) [SD-T635-510](#) [SD-0839](#) [N814](#) [N803](#)
[E1041/NEO](#) [200-070](#)