

POLAM-ELTA Sp. z o.o.

LED DIODES
LED CONTROL LAMPS

www.polamelta.com

e-mail: polamelta@polamelta.com.pl

Jerozolimskie Avenue 202
02-486 Warsaw, POLAND
tel. (+48) 22-837-22-07
fax (+48) 22-207-24-28



COMPLIANCE DECLARATION NR 3/07/2018

Producer: POLAM-ELTA Sp. z o.o.
Jerozolimskie Avenue 202
02-486 Warsaw

KRS Nr: 0000190790
REGON: 001416903

We declare with a full responsibility that **LED signal lamps $\phi 20$** we manufacture:

LB , LG , LO , LR , LY , LW , LRG , LRY , LGY , LRGB , LRGY (parameters in accordance with catalogue data) comply requirements imposed by:

1. Low Voltage Directive

LVD 2014/35/UE

2. The standard norms (relating to the particular parts of a product):

- PN EN 612 36:2002 Works under voltage – bipolar indexes Nn
- PN-E-90500-1:2001 Wires of polyvinyl chloride insulation 450/750
- PN-80/E-85050 miniature light bulbs of general use
- PN-EN 983:2000 miniature light bulbs

The year of obtaining CE sign: 07

Warszawa 09-07-2018

.....
Place and date of issue

PREZES ZARZĄDU

Ireneusz Tonder

.....
*Nazwisko, stanowisko i podpis
osoby upoważnionej*

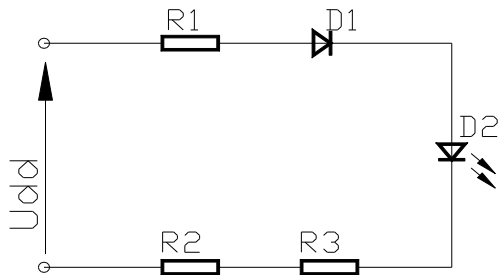
1. Product description:

The declaration is concerned about LED signal lamps produced for a number of voltage ranging 24V-AC - 400V-AC (24V; 30V; 48V; 60V; 110-130V; 230V; 400V) and 24V-DC – 220V-DC (24V; 30V; 48V; 60V; 110-130V; 220V). The lamps are designed for electric accessories use.

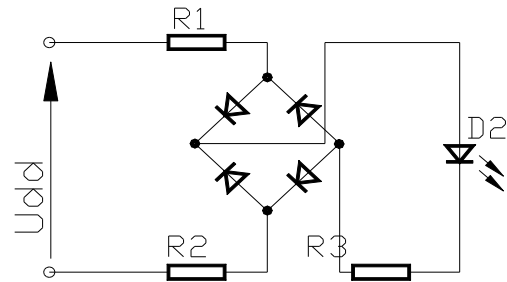
2. Technological documentation:

All the signal LED lamps are based on the following circuitry

Half-wave rectifier

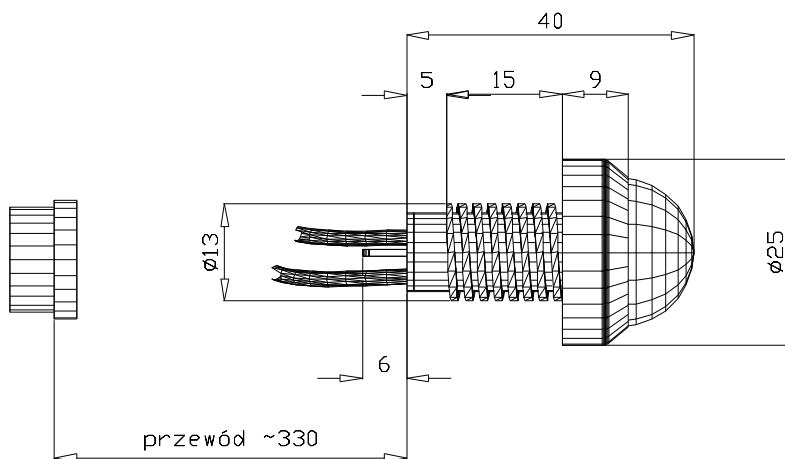


Full-wave rectifier



The elements of casings are made from ABS material. Electric connections are made on glass-epoxy laminate of 1 mm ply. The main wire LGY0,5 is of 0,5 mm² section 450V / 750 V or connectors j 2.8. Tightness level lamp: IP40. Ambient temperature: -40°C to +70°C. For 230 V-AC voltage, power consumption is 0,8 W and for 24V-AC/DC, it is 0,5 W.

- signal lamp $\phi 20$



LED CONTROL LAMPS $\phi 20$



Technical parameters of lamps (230V-AC)

color	luminosity (mcd)	wave lenght (nm)	power
standard red [R] mat	300-320	630	0,8 W
super red [R] mat	2800-3000	628	0,8 W
green [G] mat	200-220	530	0,8 W
yellow [Y] mat	180-200	590	0,8 W
orange [O] mat	300-320	610	0,8 W
blue [B] mat	100-120	470	0,8 W
white [W] mat	350-400	3000 K	0,8 W

mat : $201/2 = 180^{\circ}$, P = 0,8 W

Technical parameters of lamps (24V-AC/DC)

color	luminosity (mcd)	wave lenght (nm)	power
standard red [R] mat	1200-1500	630	0,5 W
super red [R] mat	5000-6000	628	0,5 W
green [G] mat	1000-1100	530	0,5 W
yellow [Y] mat	1000-1200	590	0,5 W
orange [O] mat	1200-1500	610	0,5 W
blue [B] mat	400-500	470	0,5 W
white [W] mat	1500-1800	3000 K	0,5 W

mat : $201/2 = 180^{\circ}$, P = 0,5 W

Update date : 02-01-2019

X-ON Electronics

Largest Supplier of Electrical and Electronic Components

Click to view similar products for [LED Panel Mount Indicators](#) category:

Click to view products by [Polam-Elta](#) manufacturer:

Other Similar products are found below :

[607-1312-310F](#) [607-3232-140F](#) [6091M1-24V](#) [6091M5-24V](#) [6091M7-24V](#) [821-0331-503](#) [FL2870C8R](#) [FL2950WL7B](#) [FL589WL8R](#)
[Q6P3BXXB12E](#) [H8630FBBA3](#) [MPC5ADW6.0](#) [DX1091GN](#) [NL177WL3G](#) [NL276C3G](#) [NL2950BWL3G](#) [NL2950CWL2R](#) [NL589WL2R](#)
[NL67C3G](#) [NL67C3R](#) [2191L1-12V](#) [PB22SIOL0RG](#) [PB22SPPM41R](#) [PB22SPPM61R](#) [LE177C5B](#) [LH1048BSWL3702](#) [LH1048BWL3702](#)
[LH382A](#) [LHM62B](#) [SSI-LXH387USBD-150](#) [SSI-LXH9ZIC40587](#) [SSP-LXS110818BA](#) [FL2950BWL7R](#) [FL2950WL7R](#) [FL2951WL8G](#)
[FL2951WL8R](#) [FL589C7R](#) [FL67C7R](#) [FL67WL8G](#) [2191QU7-24V](#) [2191U1-12V](#) [2191U5-12V](#) [2191U5-6V](#) [2191U7-12V](#) [249-4167-3734-](#)
[504F](#) [Q6P5BXXG02E](#) [3990A7](#) [5110F3-12V](#) [MPC5BCW18.0](#) [556-1237-801F](#)