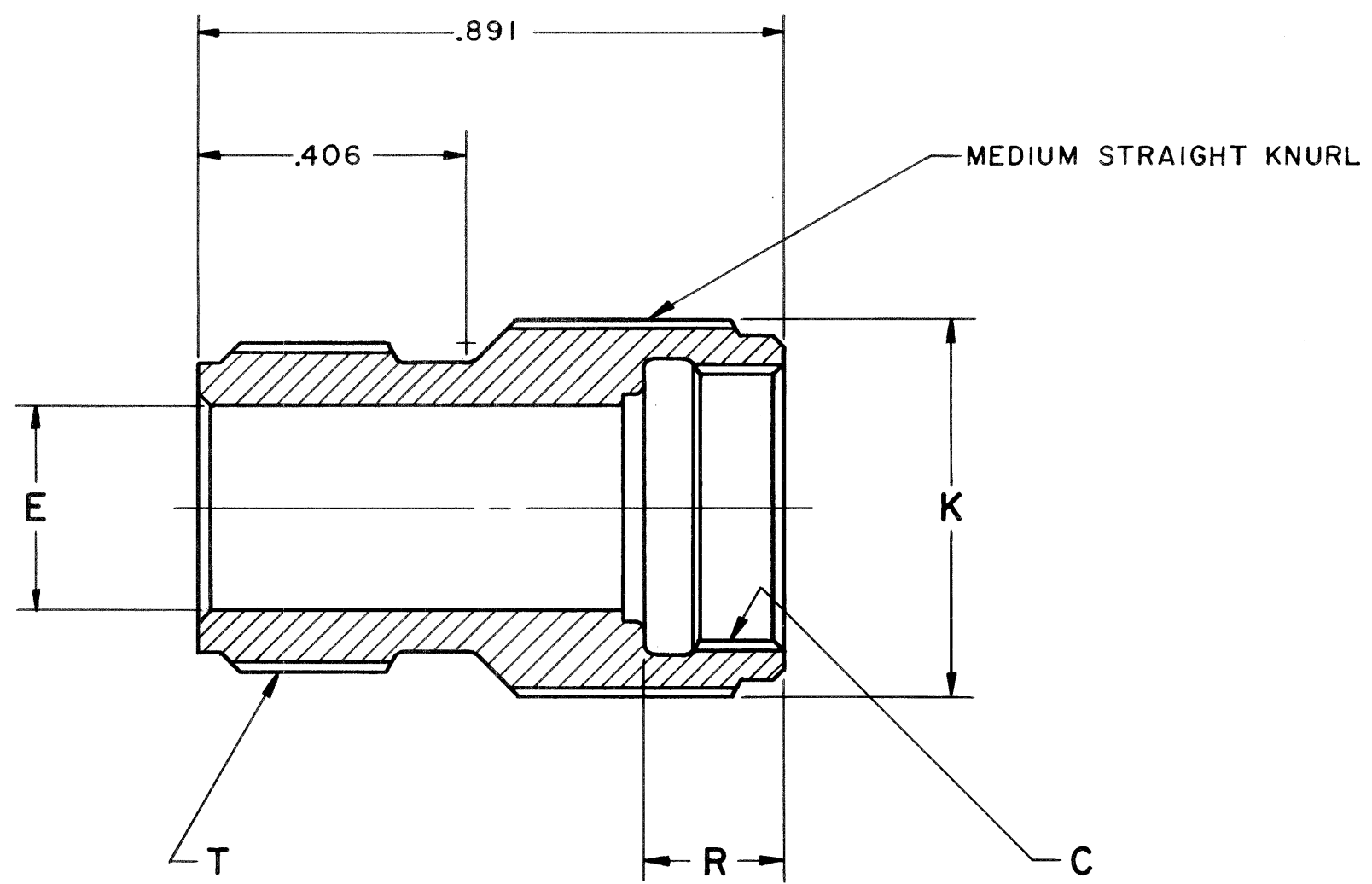


PART NUMBER	C THREAD CLASS 2B	E DIA ±.005	K DIA MAX	R +.000 -.010	T THREAD CLASS 2A	RELEASE	MADE FROM
10-123011-6	.3125-32 UNEF	.190	.469	.215	.3750-32 UNEF	31508-287	10-123011-6B
-8	.4375-28 UNEF	.312	.594		.5000-28 UNEF		-8B
-10	.5625-24 UNEF	.436	.719		.6250-24 UNEF		-10B
-12	.6875-24 UNEF	.561	.844		.7500-20 UNEF		-12B
-14	.8125-20 UNEF	.678	.969		.8750-20 UNEF		-14B
-16	.9375-20 UNEF	.802	1.094		1.0000-20 UNEF		-16B
-18	1.0625-18 UNEF	.894	1.219		1.1875-18 UNEF		-18B
-20	1.1875-18 UNEF	1.029	1.312	.312	1.1875-18 UNEF		-20B
-22	1.3125-18 UNEF	1.150	1.469		1.4375-18 UNEF		-22B
-24	1.4375-18 UNEF	1.274	1.594		1.4375-18 UNEF	33524-599	-24B

REL NO. 31508-287		REVISIONS			
CHG NO.	SYM	DESCRIPTION	DATE	APPROVED	
43525-746	A1	REDRAWN, WAS SIZE "B" TYPE WRITTEN; PROVIDED ENVELOPE DWG	11-21-64	W. GAY	
47524-170	A2	ADD & REL -XX9 FINISH	11-1-65	W. GAY	
55524-58	A3	ADD & REL -XXG FINISH	11-1-67	DEMATTIO	
72024-54	B	(CLII) ADD & REL -XX7 FINISH	5/12/81	WILKINSON	
76484-1	C	(CLII) ADDED MADE FROM COLUMN	11-2-65	WILKINSON	
80444-1	D	(CLII) ADD & REL -XX8 TO NOTE 1	9-1-69	WILKINSON	
82906	E	(CLII) ADD & REL -XXY FINISH	3-5-97	JED	
85035	F	ADD AND REL -XXX FINISH TO COLUMN	11/1/83	JED	
85448	G	(CLII) SEE ECN: 85448	4-27-99	JED	
86546	H	(CLII) ADD & RELEASE -XXU FINISH & DATA	4-28-99	JED	



USE OF THIS DOCUMENT IS UNLIMITED. DOCUMENTS REFERENCED HEREON CONTAIN LIMITED RIGHTS DATA.

3. REF SYMBOL

2. THREADS ARE IN ACCORDANCE WITH FEDERAL HANDBOOK H-28.

1. TO COMPLETE PART NO., ADD APPLICABLE LAST DIGIT TO SUFFIX FOR DESIRED FINISH.

CHROMATE TREAT	SUFFIX -XX0
CADMIUM PLATE	SUFFIX -XX1
BLACK ANODIZE	SUFFIX -XX2
CADMIUM PLATE OLIVE DRAB	SUFFIX -XX3
GREY ANODIZE	SUFFIX -XX4
ANODIC COATING	SUFFIX -XX5
BRIGHT CADMIUM PLATE, NICKEL BASE	SUFFIX -XX7
NICKEL ALLOY PLATE	SUFFIX -XXG
CAD PLATE, O.D. NICKEL BASE	SUFFIX -XX9
BRIGHT NICKEL	SUFFIX -XX8
BLACK ZINC ALLOY PLATE	SUFFIX -XXY
BLACK ZINC CONDUCTIVE	SUFFIX -XXX

RELEASE NO.	
38524-872	9-3350 GREEN ZINC
35524-218	9-2158 ALLOY PLATE
35524-218	9-3487 SUFFIX-XXU 9-9263
32525-260	9-3047
31508-287	9-3487
35508-72	9-3290
55524-58	9-4332
47524-170	9-6914
42524-249	9-4960
	9-3435
	9-9181
	9-9181-1

ITEM NO.	QTY REQD	DESCRIPTION	PART NUMBER	CODE IDENT	ZONE
PARTS LIST					
UNLESS OTHERWISE SPECIFIED					
LINEAR DIMENSIONS ARE IN INCHES. TOLERANCES: 3 PLACES ±.010; 2 PLACES ±.03; 1 PLACE ±.1; ANGLES ±2°. OTHER STANDARDS PER SCINTILLA SPEC 9-3800 AND MIL-STD 8.					
MATERIAL SPEC ALUMINUM ALLOY		PROCESS SPEC	DRAWN: HAYES DATE: 7-12-56 CHECKED: Teelon DATE: 4-7-65 MATERIAL: STANDARDS: J. Balantini 4-7-65 DRAFTING: D Sweet 4-7-65 ENGINEERING: W. J. Harrison 4-7-65 DEVELOPMENT:		
SCINTILLA DIVISION CORPORATION SIDNEY, NEW YORK, U.S.A.					
ADAPTER, ELECTRICAL CONNECTOR, TYPE PB(), (ENVELOPE DRAWING)					
CODE IDENT NO. 77820		SIZE C	10-123011		
SCALE NONE	WT	REF	SHEET		

10-123011

X-ON Electronics

Largest Supplier of Electrical and Electronic Components

Click to view similar products for [Circular MIL Spec Strain Reliefs & Adapters](#) category:

Click to view products by [Amphenol](#) manufacturer:

Other Similar products are found below :

[896227-000](#) [899170S004](#) [6000-063-0022](#) [613751-000](#) [CS6624-000](#) [620AB038Z136](#) [620AS001Z108](#) [620AS038Z112](#) [620AS038Z120](#)
[620AS038Z132](#) [620FB038NF08](#) [620HA038NF13](#) [620HA038NF25](#) [620HA042XM13](#) [620HB049NF17](#) [620HS011NF21](#) [620HS038NF11](#)
[620HS038Z121](#) [620HS042XM19](#) [620HS042XM25](#) [620HS042XW13](#) [620HS048B17](#) [620MS064NF09](#) [620MS064NF12](#) [620MS065M12](#)
[620MS065Z107](#) [620MS065ZNU06](#) [630J041M06H](#) [630J041M20H](#) [637S010NF0212H](#) [640830-000](#) [659943-000](#) [66241-10A](#) [CW0597-000](#)
[CW0598-000](#) [CW0948-000](#) [CY0122-000](#) [M85049/41-6A W/B](#) [M85049/42-12DS](#) [M85049/47N8](#) [M85049/47W18](#) [M85049/51-1-14S](#)
[M85049/51-1-8W](#) [M85049/51S16S](#) [M85049/60-1N16](#) [M85049/60-2G12W](#) [M85049/69-11N](#) [CZ3661-000](#) [D02922-000](#) [70.360.1628.0](#)