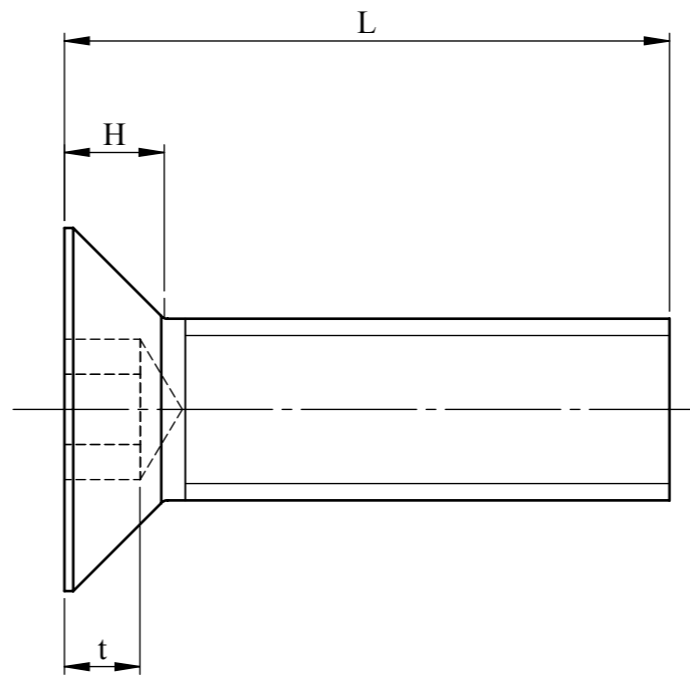
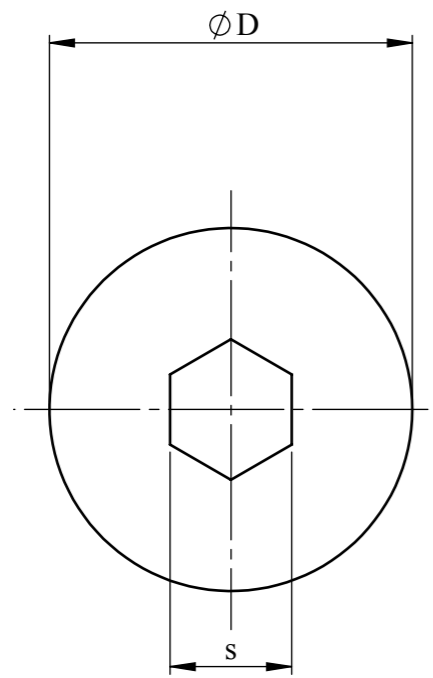


DEBUR AND BREAK SHARP EDGES

DO NOT SCALE DRAWING

REVISION



THREAD	KIT QTY	L	D	H	s	t
M3	50	8	6	1.7	2	1.2
M3	50	10	6	1.7	2	1.2
M3	50	12	6	1.7	2	1.2
M4	25	8	8	2.3	2.5	1.8
M4	20	10	8	2.3	2.5	1.8
M4	20	12	8	2.3	2.5	1.8
M4	20	16	8	2.3	2.5	1.8
M5	15	10	10	2.8	3	2.3
M5	15	12	10	2.8	3	2.3
M5	15	16	10	2.8	3	2.3
M5	15	20	10	2.8	3	2.3
M6	20	12	12	3.3	4	2.5
M6	20	16	12	3.3	4	2.5
M6	20	20	12	3.3	4	2.5
M6	20	25	12	3.3	4	2.5
M8	15	12	16	4.4	5	3.5
M8	15	16	16	4.4	5	3.5
M8	15	20	16	4.4	5	3.5
M8	15	25	16	4.4	5	3.5
M8	15	30	16	4.4	5	3.5

A DRAWN 06/07/15

NOTES

DIN 7991



DESIGN RIGHT. TR FASTENINGS LTD, 2003
 UNDER NO CIRCUMSTANCES MUST THIS
 DRAWING BE COPIED OR DISCLOSED,
 WITHOUT FIRST OBTAINING WRITTEN
 AUTHORITY.

UNLESS OTHERWISE SPECIFIED:
 DIMENSIONS ARE IN MILLIMETERS
 SURFACE FINISH:
 TOLERANCES:

ISO 2768 m

NAME	DATE
DRAWN MARTIN ELLIOTT	06/07/15
CHK'D	
APPVD	

CUSTOMER PART No

MATERIAL:

STEEL

HEAT TREATMENT

GRADE 10.9

FINISH:

ZINC PLATED

TITLE:

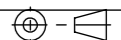
HEXAGON SOCKET
 C'SK SCREW KIT

DWG NO.

TRFAKIT0007

A3

PROJECTION



SHEET 1 OF 1

X-ON Electronics

Largest Supplier of Electrical and Electronic Components

Click to view similar products for [tr fastenings manufacturer](#):

Other Similar products are found below :

[3.030PRST30TC1D](#) [5.020PRST30TC1D](#) [N80.750 PRA2ABS100-](#) [M840 KHHTMCS50-](#) [M830 SOHTCSZ50-](#) [M660 SOHTCSS100-](#) [M620 SOHTCSS100-](#) [M612 KHHTMCZ50-](#) [M610 HHA2SCS100-](#) [M620 KHA2MCS50-](#) [M540 PSSTMCZ100-](#) [M516 PSSTMCZ100-](#) [M525 SOHTCSZ100-](#) [M520 PSSTMCZ100-](#) [M510 KHHTMCZ50-](#) [M4- FABRWAN100-](#) [M440 SOA2CSS50-](#) [M430 SOHTCSZ100-](#) [M3- DNST-Z100-](#) [M26 HSHTPCS25-](#) [M1025 SOHTCSZ50-](#) [TRRLCBSR-7-01](#) [M46PTSTMCZ100-](#) [M412PSSTM CB100-](#) [M6 40 HH88BL Z100](#) [M4 25 M4A2MC S50 BUT T20](#) [M6 16 M4A2MC S50 BUT T30](#) [H0.250 25 M4STPB SF T25](#) [H0.250 M7STPB SF HEX 4.0 W/M8/REDE/OE/ST/KG](#) [W/M6/REDE/OE/ST/PG](#) [W/M5/FLG/CE/ST/KG](#) [N61.250 PRA2ABS100-](#) [M8 8 HSHTKC SF -](#) [N81.250 PRA2ABS100-](#) [TRFAKIT0009](#) [M830 SOHTCSS100-](#) [M820 SOHTCSS100-](#) [M6- N5A4-S50-](#) [M680 SOHTCSS100-](#) [M610 HHHTSCZ100-](#) [M6- DNST-Z100-](#) [M620 PRSTM CB100-](#) [M550 PSSTMCZ100-](#) [M516 PRA2MCS100-](#) [M512 BHHTMCS100-](#) [M530 SOHTCSZ100-](#) [M520 HHHTSCZ100-](#) [M4- DNST-Z100-](#) [M425 PSSTMCZ100-](#)