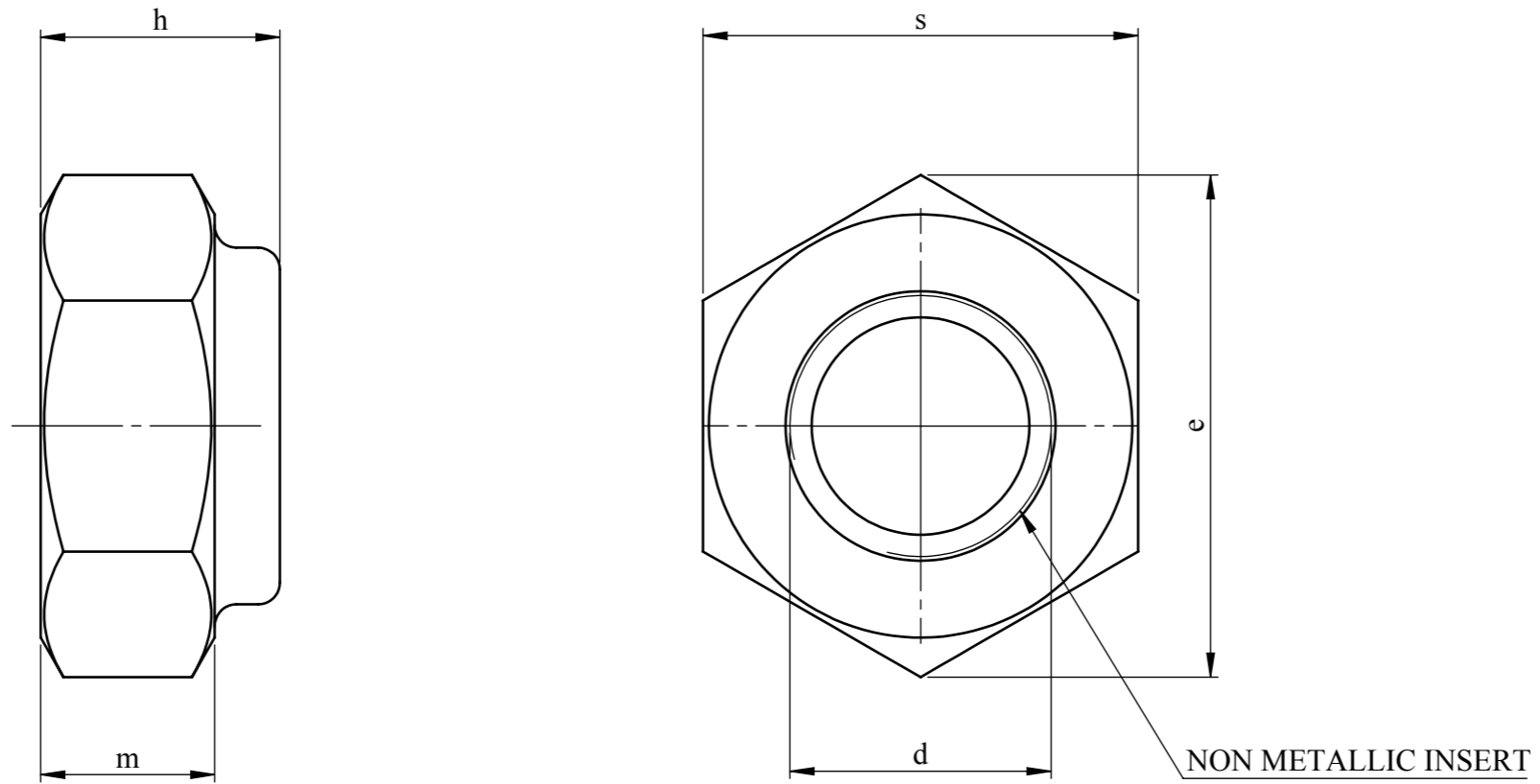


DEBUR AND BREAK SHARP EDGES

DO NOT SCALE DRAWING

REVISION



THREAD	KIT QTY	m	s	h	e
M3	160	2.4	5.5	4.0	6.1
M4	100	2.9	7.0	5.0	7.7
M5	50	3.2	8.0	5.0	8.8
M6	75	4.0	10.0	6.0	11.1
M8	40	5.5	13.0	8.0	14.4
M10	40	6.5	17.0	10.0	19.0
M12	30	8.0	19.0	12.0	21.1

A DRAWN 03/07/15

NOTES

DIN 985, TYPE T



DESIGN RIGHT. TR FASTENINGS LTD, 2003
 UNDER NO CIRCUMSTANCES MUST THIS
 DRAWING BE COPIED OR DISCLOSED,
 WITHOUT FIRST OBTAINING WRITTEN
 AUTHORITY.

UNLESS OTHERWISE SPECIFIED:
 DIMENSIONS ARE IN MILLIMETERS
 SURFACE FINISH:
 TOLERANCES:

ISO 2768 m	
NAME	DATE
DRAWN MARTIN ELLIOTT	03/07/15
CHK'D	
APPV'D	

CUSTOMER PART No

MATERIAL:

STEEL

HEAT TREATMENT

FINISH:

ZINC PLATED

TITLE:

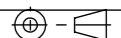
HEXAGON LOCK NUT KIT

DWG NO.

TRFAKIT0010

A3

PROJECTION



SHEET 1 OF 1

X-ON Electronics

Largest Supplier of Electrical and Electronic Components

Click to view similar products for [tr fastenings manufacturer](#):

Other Similar products are found below :

[3.030PRST30TC1D](#) [5.020PRST30TC1D](#) [N80.750 PRA2ABS100-](#) [M840 KHHTMCS50-](#) [M830 SOHTCSZ50-](#) [M660 SOHTCSS100-](#) [M620 SOHTCSS100-](#) [M612 KHHTMCZ50-](#) [M610 HHA2SCS100-](#) [M620 KHA2MCS50-](#) [M540 PSSTMCZ100-](#) [M516 PSSTMCZ100-](#) [M525 SOHTCSZ100-](#) [M520 PSSTMCZ100-](#) [M510 KHHTMCZ50-](#) [M4- FABRWAN100-](#) [M440 SOA2CSS50-](#) [M430 SOHTCSZ100-](#) [M3- DNST-Z100-](#) [M26 HSHTPCS25-](#) [M1025 SOHTCSZ50-](#) [TRRLCBSR-7-01](#) [M46PTSTMCZ100-](#) [M412PSSTM CB100-](#) [M6 40 HH88BL Z100](#) [M4 25 M4A2MC S50 BUT T20](#) [M6 16 M4A2MC S50 BUT T30](#) [H0.250 25 M4STPB SF T25](#) [H0.250 M7STPB SF HEX 4.0 W/M8/REDE/OE/ST/KG](#) [W/M6/REDE/OE/ST/PG](#) [W/M5/FLG/CE/ST/KG](#) [N61.250 PRA2ABS100-](#) [M8 8 HSHTKC SF -](#) [N81.250 PRA2ABS100-](#) [TRFAKIT0009](#) [M830 SOHTCSS100-](#) [M820 SOHTCSS100-](#) [M6- N5A4-S50-](#) [M680 SOHTCSS100-](#) [M610 HHHTSCZ100-](#) [M6- DNST-Z100-](#) [M620 PRSTM CB100-](#) [M550 PSSTMCZ100-](#) [M516 PRA2MCS100-](#) [M512 BHHTMCS100-](#) [M530 SOHTCSZ100-](#) [M520 HHHTSCZ100-](#) [M4- DNST-Z100-](#) [M425 PSSTMCZ100-](#)