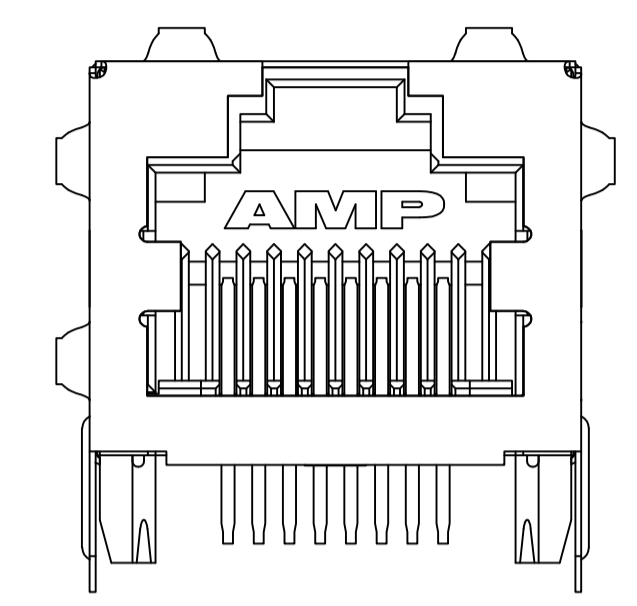
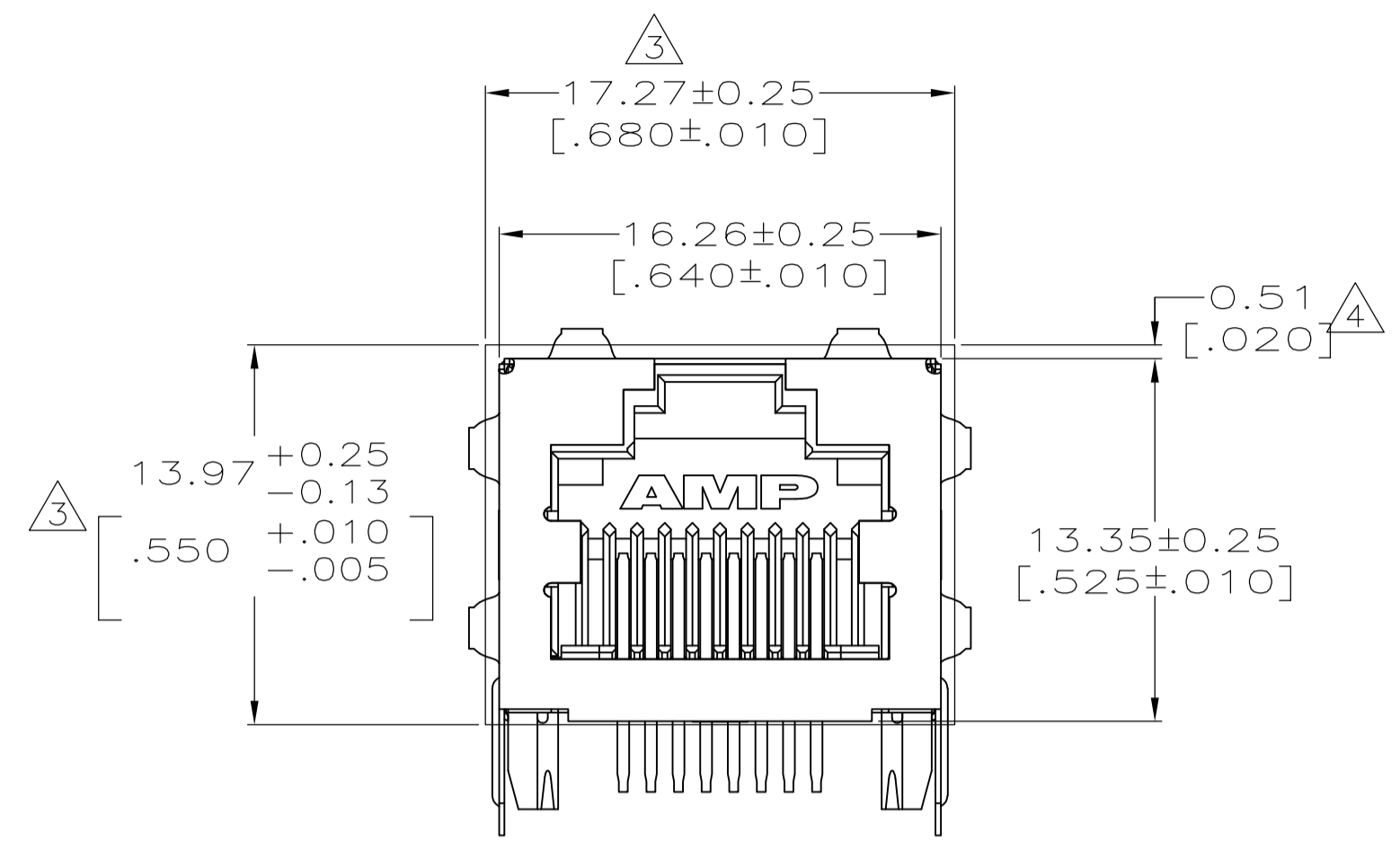
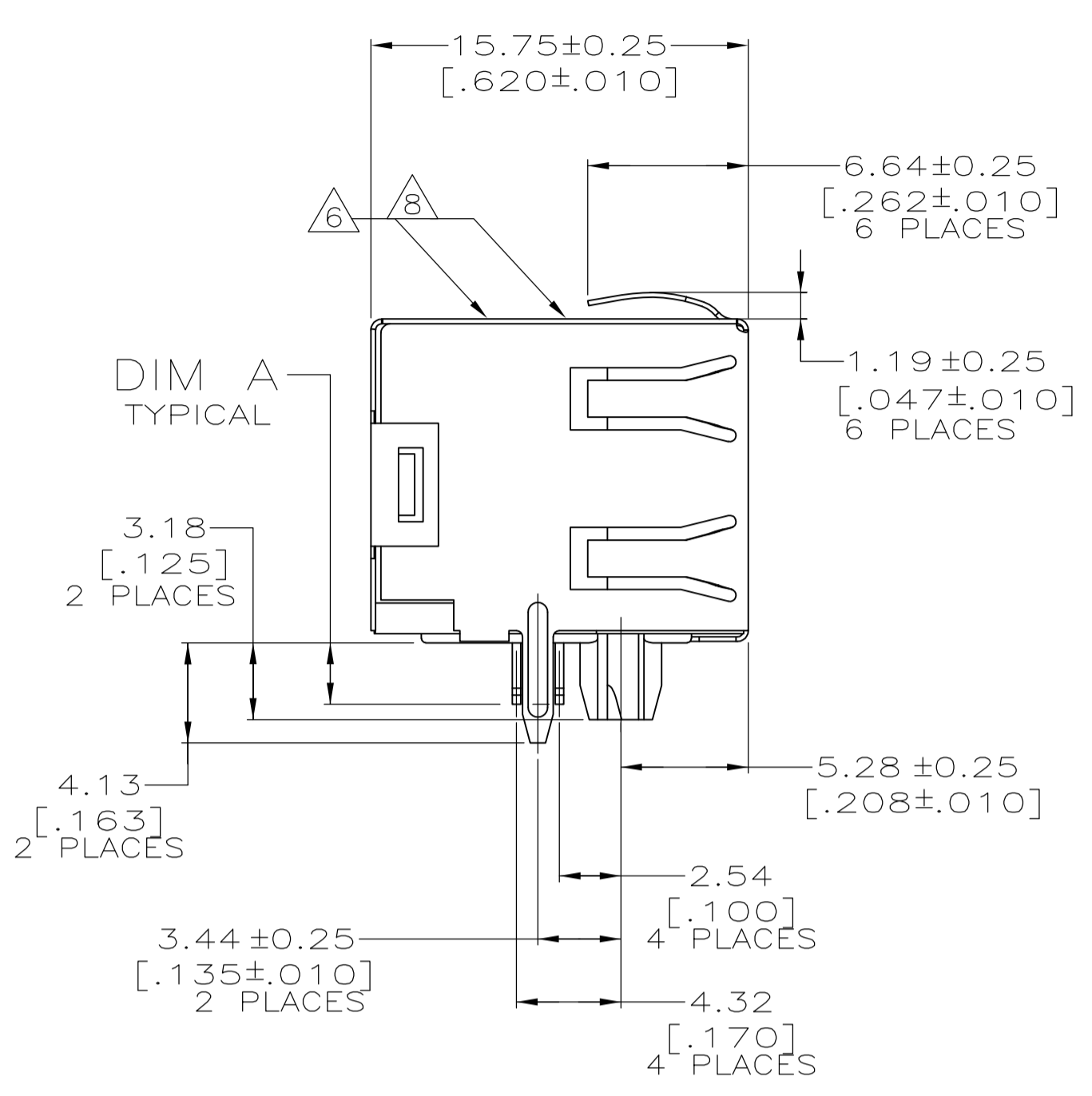
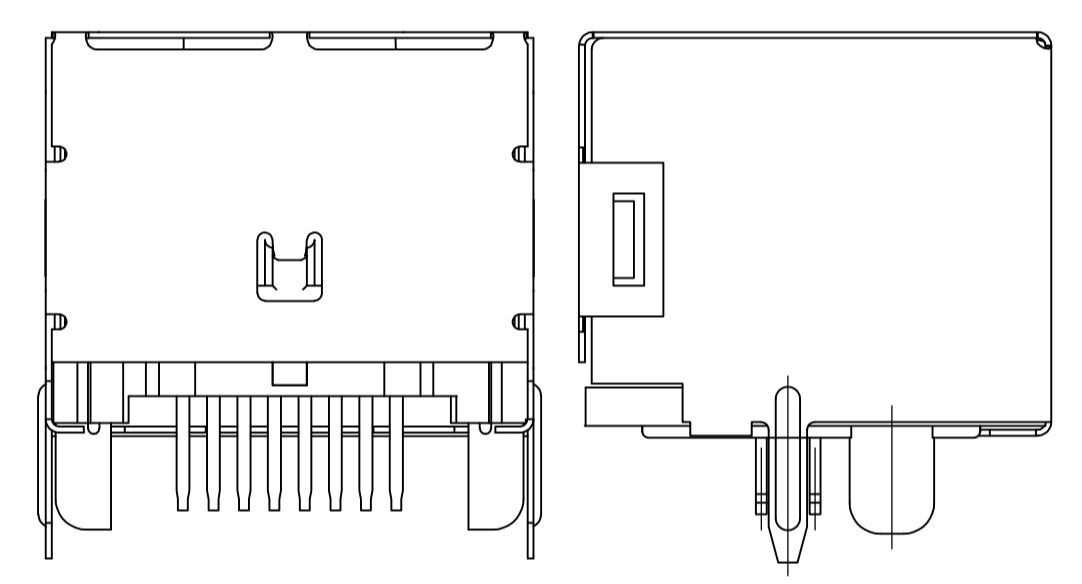


REVISIONS				
P	LTR	DESCRIPTION	DATE	OWN
R	PER	ECO-17-005949	21APR2017	AD SH

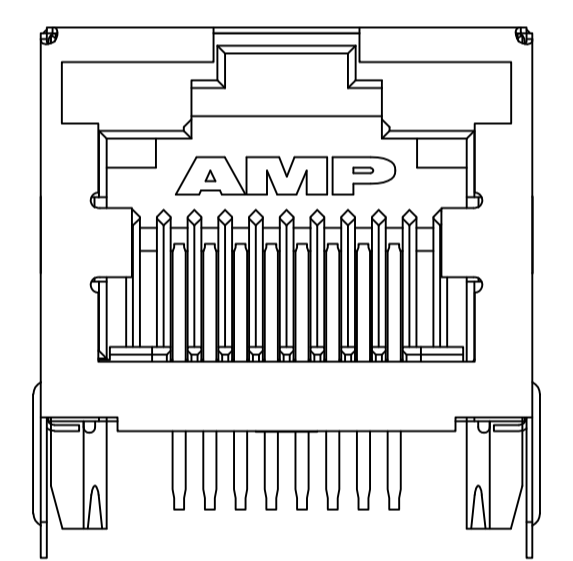


406541-1, -3, & -6  
1-406541-1, 1-3, 1-6 & 1-9&2--6

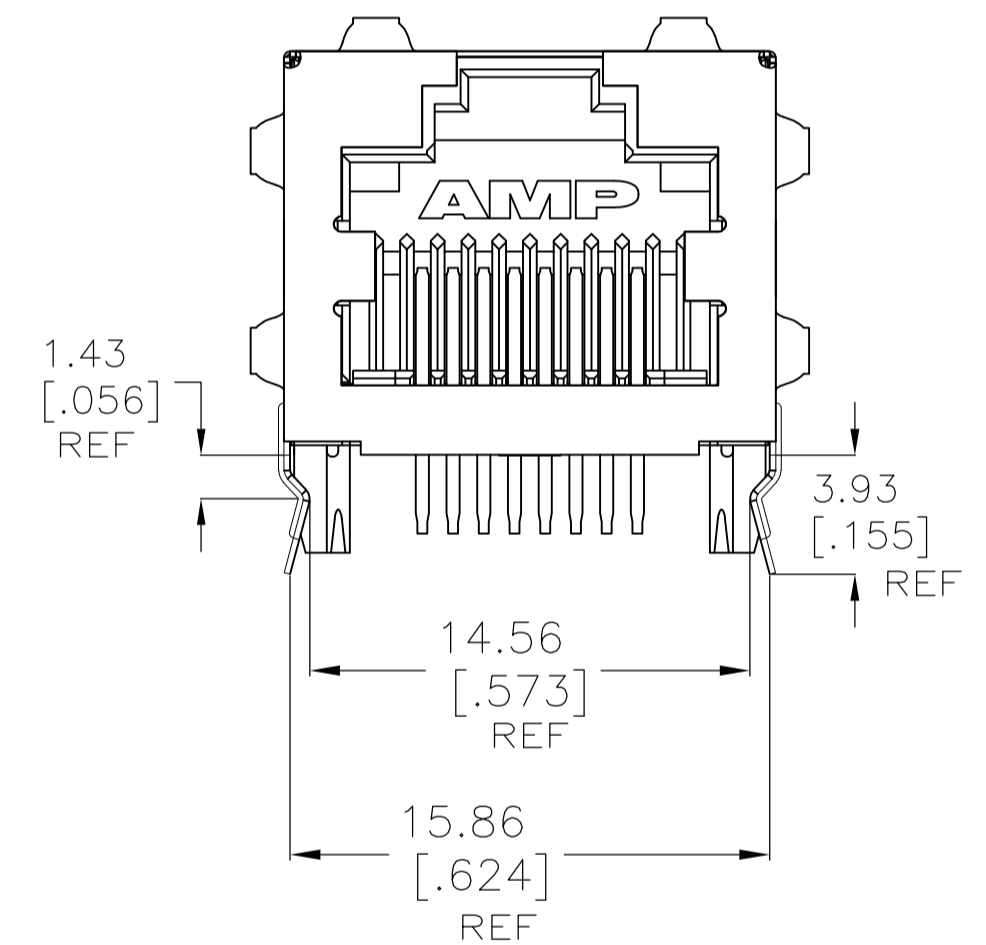
406541-4  
1-406541-4  
WITHOUT LOWER  
RIGHT PANEL GROUND



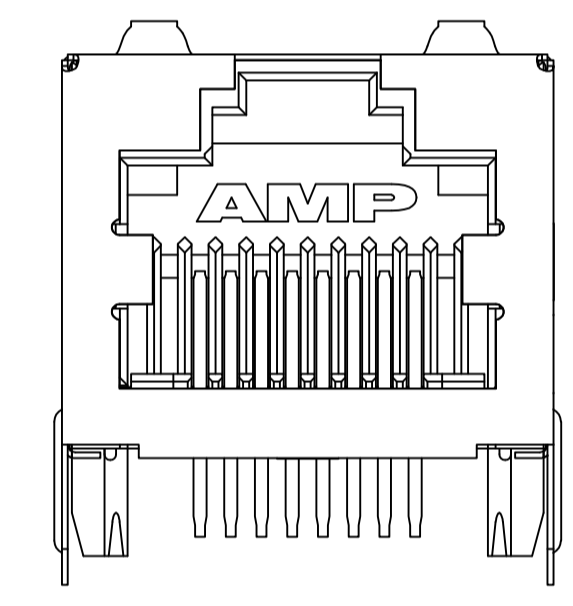
3-406541-0  
NARROW POST TYPE



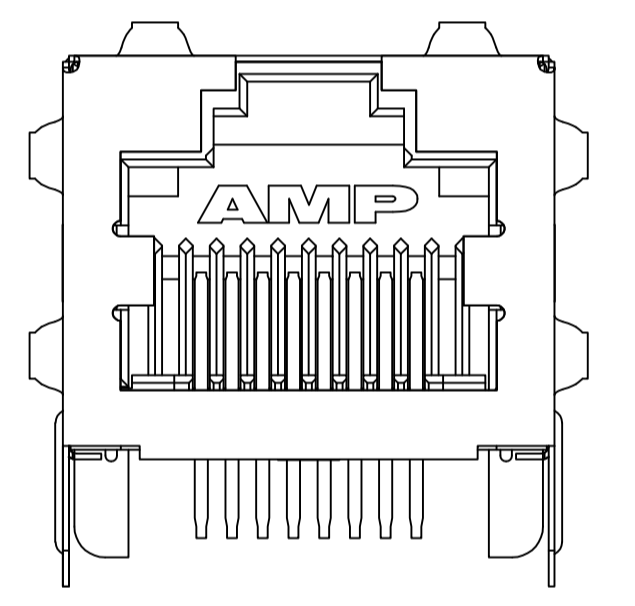
406541-5  
1-406541-5  
1-406541-8  
4-406541-8  
WITHOUT PANEL GROUNDS



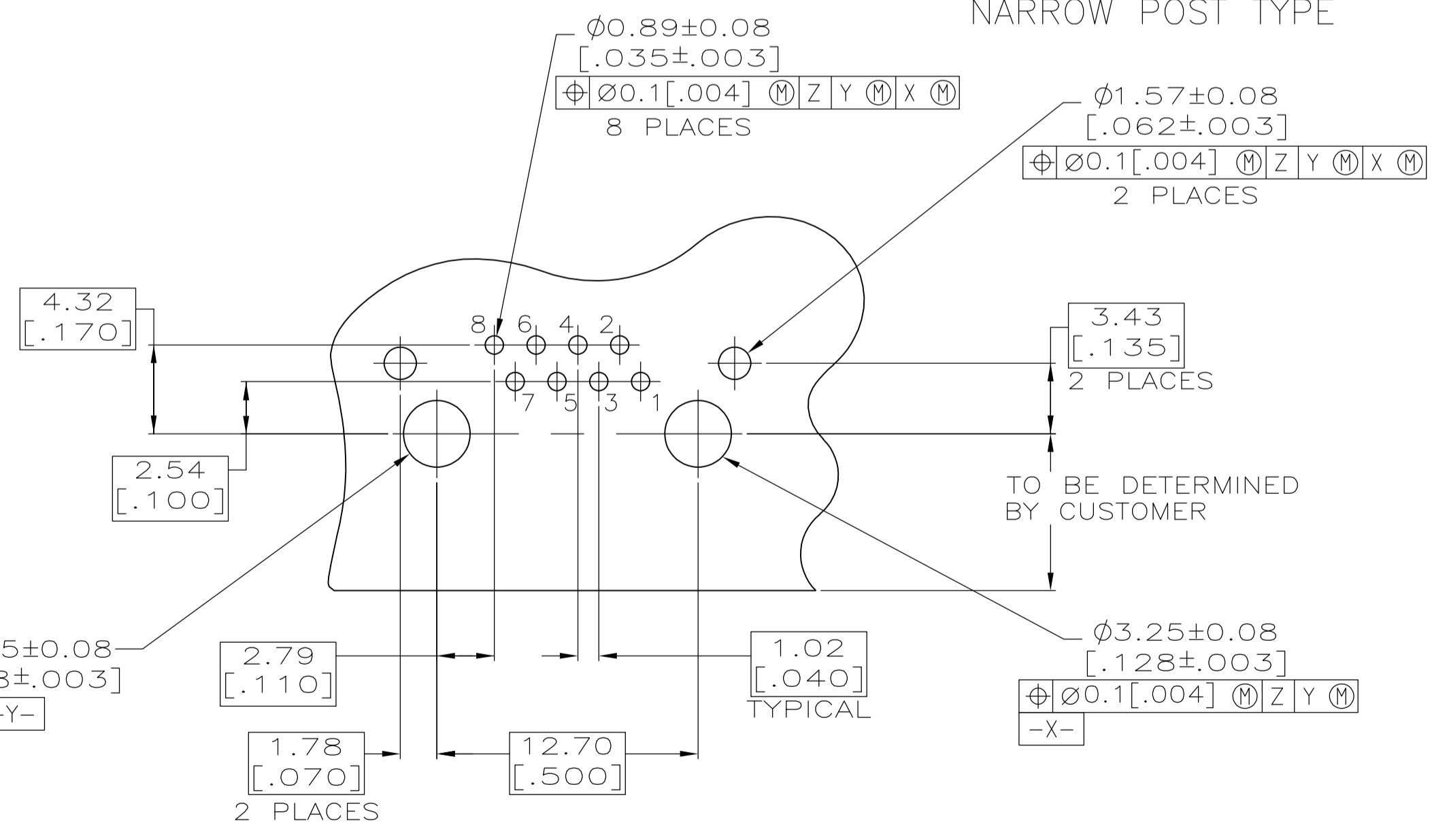
1-406541-7, 2-406541-7



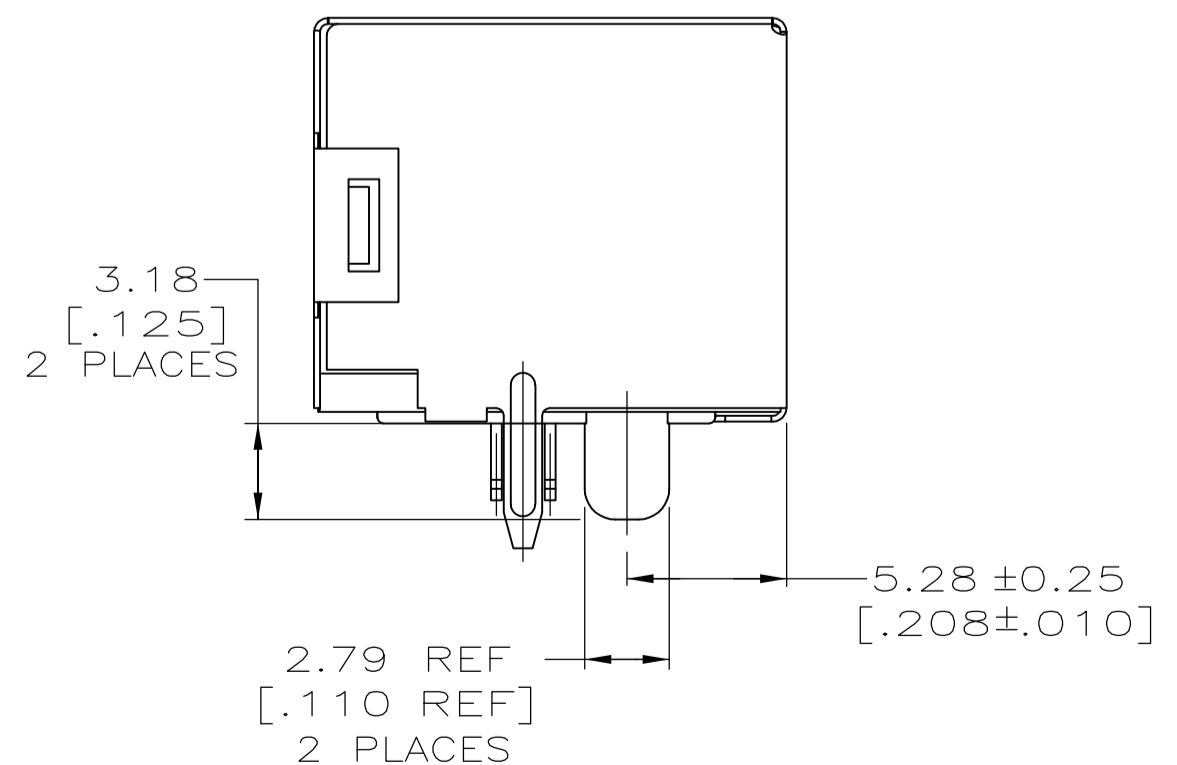
2-406541-1  
2-406541-4  
WITHOUT SIDE PANEL GROUND



2-406541-3  
NARROW POST TYPE



SUGGESTED PRINTED CIRCUIT BOARD LAYOUT  
(COMPONENT SIDE)



2-406541-0, 2-2  
NARROW POST TYPE

REFLOW SOLDERING PROCESS COMPATIBLE

MATERIAL:  
HOUSING - HIGH TEMPERATURE THERMOPLASTIC, COLOR: BLACK, UL94V-0  
TERMINALS - 0.36[0.014] THICK PHOS BRONZE PLATED WITH 3.81µm[0.000150] MINIMUM THICK (SEE P/N TABLE) IN SOLDER AREA. 1.27µm [0.000050] MINIMUM GOLD IN LOCALIZED PLATE AREA. ENTIRE TERMINAL PLATED WITH 1.27µm [0.000050] MINIMUM THICK NICKEL.  
SHIELD - 0.196[0.0077] THICK COPPER ZINC ALLOY PREPLATED WITH 1.27µm[0.000050] MINIMUM SATIN NICKEL WITH 2.03µm[0.000080] MINIMUM TIN POST DIPPED ON PCB GROUND TABS.

- JACK CAVITY CONFORMS TO FCC RULES AND REGULATIONS PART 68, SUBPART F.
- SUGGESTED PANEL OPENING DIMENSIONS.
- SUGGESTED CLEARANCE BETWEEN TOP OF CONNECTOR AND TOP PANEL OPENING.
- ON 406541-4 & 1-406541-4 LOWER RIGHT HAND PANEL GROUND TAB IS NOT PRESENT.
- MANUFACTURING DATE CODE: LOCATED APPROX. AS SHOWN. FIRST 2 DIGITS = LAST 2 DIGITS OF YEAR. NEXT 2 DIGITS = MANUFACTURING WORK WEEK, LAST DIGIT = DAY OF WEEK WITH SUNDAY = 1.
- OBsolete PARTS: OBsolete CIS STREAMLINING PER D.RENAUD/D.SINISI
- ADD PN ON TOP SURFACE FOR REQUIRED PARTS

TERMINAL PLATING	PACKAGING	PANEL GROUNDS	DIM A	PART NUMBER
MATTE TIN	0	0	2.54 [0.100]	4-406541-8
	0	0	2.54 [0.100]	3-406541-0
	6	0	2.54 [0.100]	2-406541-7
	6	0	3.56 [1.140]	2-406541-6
	2	0	2.54 [0.100]	2-406541-4
	6	0	3.05 [0.120]	2-406541-3
	0	0	2.54 [0.100]	2-406541-2
	2	0	2.54 [0.100]	2-406541-1
	0	0	2.54 [0.100]	2-406541-0
	6	0	3.05 [0.120]	1-406541-9
	0	0	2.54 [0.100]	1-406541-8
	6	0	2.54 [0.100]	1-406541-7
	6	0	3.56 [1.140]	1-406541-6
	0	0	2.54 [0.100]	1-406541-5
	5	0	2.54 [0.100]	1-406541-4
	6	0	2.00 [0.079]	1-406541-3
	6	0	2.54 [0.100]	1-406541-1
	6	0	3.56 [1.140]	406541-6
	0	0	2.54 [0.100]	406541-5
	5	0	2.54 [0.100]	406541-4
	6	0	2.00 [0.079]	406541-3
	6	0	2.54 [0.100]	406541-1

DIMENSIONS:		TOLERANCES UNLESS OTHERWISE SPECIFIED:		APPROVED:		NAME:	
mm	[INCHES]	0 PLC	±	09JAN2008	IS/LA.MAYER	09JAN2008	TE Connectivity
		1 PLC	±	09JAN2008	J.WESTMAN	09JAN2008	
		2 PLC	±		S.FLICKINGER		
		3 PLC	± 0.25[0.010]				
		4 PLC	±				
		ANGLES	±				
MATERIAL	SEE TABLE	FINISH	SEE TABLE	WEIGHT	0.000000	SIZE	A1
				CAGE CODE	00779	DRAWING NO.	406541
				CUSTOMER DRAWING		SCALE	4:1
						SHEET	1 of 1
						REV	R