



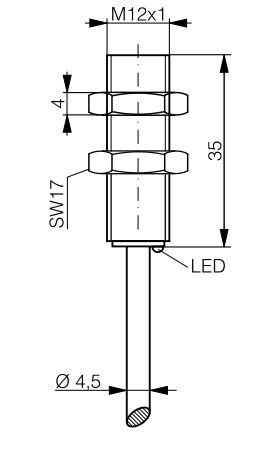
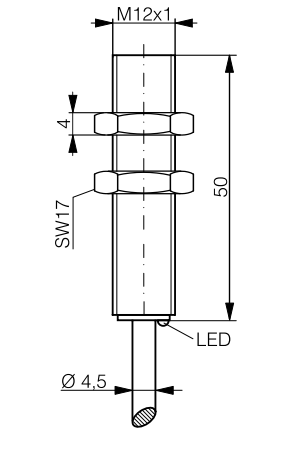
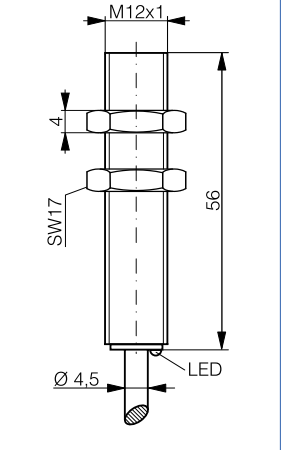
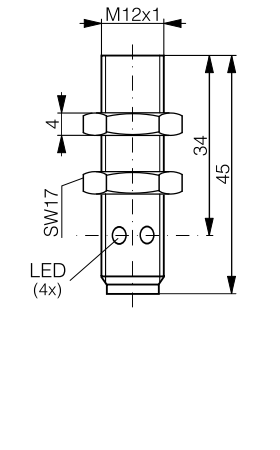


M12

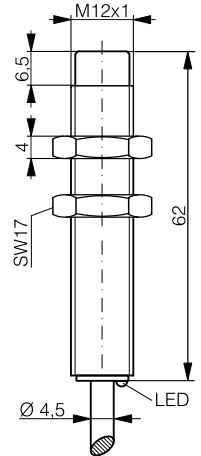
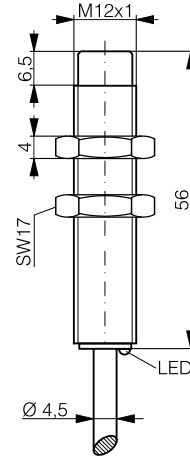
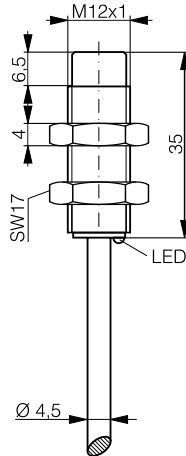
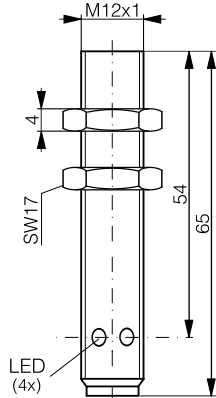
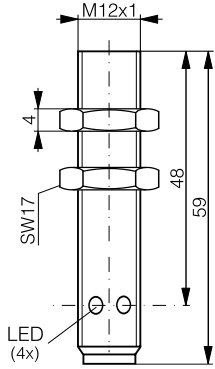
Size				
Operating distance mm	2	2	2	2
Housing material	Nickel-plated brass	Nickel-plated brass	Nickel-plated brass	Nickel-plated brass
Connection ¹⁾	PUR cable type 5	PUR cable type 5	PUR cable type 5	Connector S12
Degree of protection	IP 67	IP 67	IP 67	IP 67
Mounting	Embeddable	Embeddable	Embeddable	Embeddable
Max. switching frequency	1,200 Hz	1,200 Hz	25 Hz (AC) / 1,200 Hz (DC)	1,200 Hz
Technical data ²⁾	Table 2	Table 2	Table 4	Table 2
Wiring ³⁾	Diagram 2	Diagram 2	Diagram 3	Diagram 2
LED	Built-in	Built-in	Built-in	Built-in
Supply voltage range	15 ... 34 VDC	15 ... 34 VDC	20 ... 265 VAC / 20 ... 320 VDC	15 ... 34 VDC
Ambient temperature range	-25 ... +85 °C	-25 ... +85 °C	-25 ... +85 °C	-25 ... +85 °C
Output current	≤ 200 mA / ≤ 150 mA*	≤ 200 mA / ≤ 150 mA*	≤ 200 mA	≤ 200 mA / ≤ 150 mA*
¹⁾ Standard cable length 2 m. Non-standard cable lengths and types on request. ²⁾ see page 68 ³⁾ see page 69 ⁴⁾ see page 112				
Dimensions:				
Part references: (bold: preferred types)				
NPN N.O.	DW-AD-601-M12-120	DW-AD-601-M12		DW-AS-601-M12-120
NPN N.C.	DW-AD-602-M12-120	DW-AD-602-M12		DW-AS-602-M12-120
PNP N.O.	DW-AD-603-M12-120	DW-AD-603-M12		DW-AS-603-M12-120
PNP N.C.	DW-AD-604-M12-120	DW-AD-604-M12		DW-AS-604-M12-120
NAMUR				
AC/DC 2-wire N.O.			DW-AD-607-M12	
AC/DC 2-wire N.C.			DW-AD-608-M12	
Compatible connectors ⁴⁾				G ... N (N.O.); K ... N (N.C.)

*50 °C / 85 °C

SERIES 600

M12

2	2	4	4	4
Nickel-plated brass	Nickel-plated brass	Nickel-plated brass	Nickel-plated brass	Nickel-plated brass
Connector S12	Connector S12	PUR cable type 5	PUR cable type 5	PUR cable type 5
IP 67	IP 67	IP 67	IP 67	IP 67
Embeddable	Embeddable	Non-embeddable	Non-embeddable	Non-embeddable
1,200 Hz	25 Hz (AC) / 1,200 Hz (DC)	800 Hz	800 Hz	25 Hz (AC) / 900 Hz (DC)
Table 2	Table 4	Table 2	Table 2	Table 4
Diagram 2	Diagram 3	Diagram 2	Diagram 2	Diagram 3
Built-in	Built-in	Built-in	Built-in	Built-in
15 ... 34 VDC	20 ... 265 VAC / 20 ... 320 VDC	15 ... 34 VDC	15 ... 34 VDC	20 ... 265 VAC / 20 ... 320 VDC
-25 ... +85 °C	-25 ... +85 °C	-25 ... +85 °C	-25 ... +85 °C	-25 ... +85 °C
≤ 200 mA / ≤ 150 mA*	≤ 200 mA	≤ 200 mA / ≤ 150 mA*	≤ 200 mA / ≤ 150 mA*	≤ 200 mA



DW-AS-601-M12

DW-AS-602-M12

DW-AS-603-M12

DW-AS-604-M12

DW-AD-611-M12-120

DW-AD-612-M12-120

DW-AD-613-M12-120

DW-AD-614-M12-120

DW-AD-611-M12

DW-AD-612-M12

DW-AD-613-M12

DW-AD-614-M12

DW-AS-607-M12

DW-AS-608-M12

DW-AD-617-M12

DW-AD-618-M12

G ... N (N.O.); K ... N (N.C.)

M, N

*50 °C / 85 °C

For all these products, you will find detailed data sheets, application notes, dimensional drawings, cross-reference lists, part references, new items, special executions, extensive additional technical information, specifications concerning quality, safety and standards, as well as the addresses of our agents, and much more besides, on our Internet website at www.contrinex.com. The website contents are constantly up-dated and extended.

M12

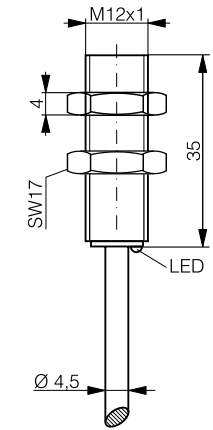
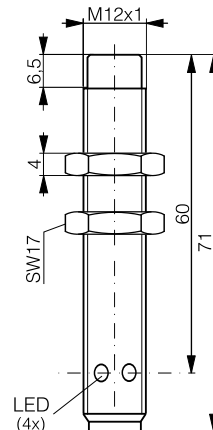
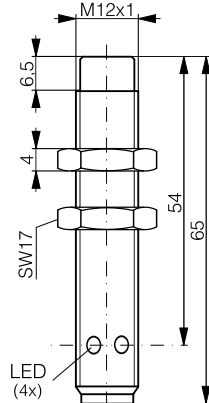
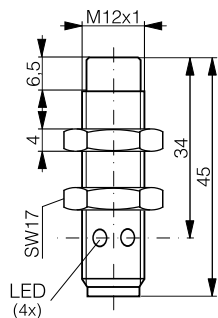
Size	M12		
Operating distance mm	4	4	4
Housing material	Nickel-plated brass	Nickel-plated brass	Nickel-plated brass
Connection ¹⁾	Connector S12	Connector S12	Connector S12
Degree of protection	IP 67	IP 67	IP 67
Mounting	Non-embeddable	Non-embeddable	Non-embeddable
Max. switching frequency	800 Hz	800 Hz	25 Hz (AC) / 900 Hz (DC)
Technical data ²⁾	Table 2	Table 2	Table 4
Wiring ³⁾	Diagram 2	Diagram 2	Diagram 3
LED	Built-in	Built-in	Built-in
Supply voltage range	15 ... 34 VDC	15 ... 34 VDC	20 ... 265 VAC / 20 ... 320 VDC
Ambient temperature range	-25 ... +85 °C	-25 ... +85 °C	-25 ... +85 °C
Output current	≤ 200 mA / ≤ 150 mA*	≤ 200 mA / ≤ 150 mA*	≤ 200 mA

4
Nickel-plated brass
PUR cable type 5
IP 67
Embeddable
800 Hz
Table 2
Diagram 2
Built-in
15 ... 34 VDC
-25 ... +85 °C
≤ 200 mA / ≤ 150 mA*

- ¹⁾ Standard cable length 2 m.
Non-standard cable lengths
and types on request.
²⁾ see page 68
³⁾ see page 69
⁴⁾ see page 112



Dimensions:



Part references:

(bold: preferred types)

NPN N.O.	DW-AS-611-M12-120	DW-AS-611-M12	
NPN N.C.	DW-AS-612-M12-120	DW-AS-612-M12	
PNP N.O.	DW-AS-613-M12-120	DW-AS-613-M12	
PNP N.C.	DW-AS-614-M12-120	DW-AS-614-M12	
NAMUR			
AC/DC 2-wire N.O.			DW-AS-617-M12
AC/DC 2-wire N.C.			DW-AS-618-M12
Compatible connectors ⁴⁾	G ... N (N.O.); K ... N (N.C.)	G ... N (N.O.); K ... N (N.C.)	M, N

*50 °C / 85 °C

increased distance

**
**
DW-AD-623-M12-120
**

** on request

SERIES 620

M12

4	4	4
Nickel-plated brass	Nickel-plated brass	Nickel-plated brass
PUR cable type 5	Connector S12	Connector S12
IP 67	IP 67	IP 67
Embeddable	Embeddable	Embeddable
800 Hz	800 Hz	800 Hz
Table 2	Table 2	Table 2
Diagram 2	Diagram 2	Diagram 2
Built-in	Built-in	Built-in
15 ... 34 VDC	15 ... 34 VDC	15 ... 34 VDC
-25 ... +85 °C	-25 ... +85 °C	-25 ... +85 °C
≤ 200 mA / ≤ 150 mA*	≤ 200 mA / ≤ 150 mA*	≤ 200 mA / ≤ 150 mA*



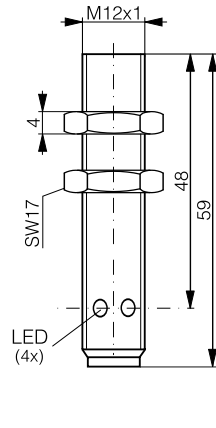
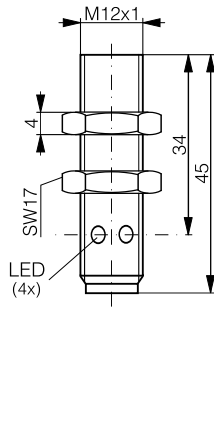
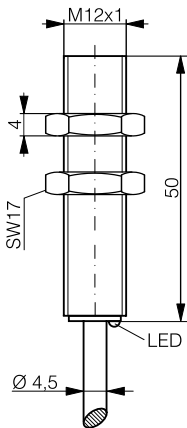
increased distance



increased distance



increased distance



**

**

DW-AD-623-M12

**

**

**

DW-AS-623-M12-120

**

**

**

DW-AS-623-M12

**

G...N

G...N

*50 °C / 85 °C

For all these products, you will find detailed data sheets, application notes, dimensional drawings, cross-reference lists, part references, new items, special executions, extensive additional technical information, specifications concerning quality, safety and standards, as well as the addresses of our agents, and much more besides, on our Internet website at www.contrinex.com. The website contents are constantly up-dated and extended.

SERIES 500

M12

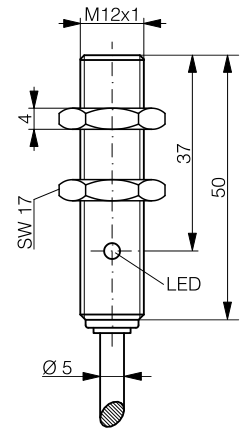
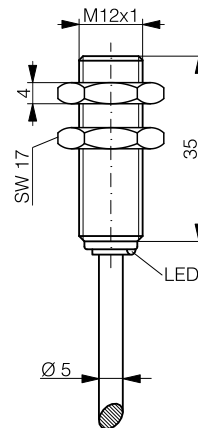
6	6
Chrome-plated brass	Chrome-plated brass
PVC cable type 8	PVC cable type 8
IP 67	IP 67
Quasi-embeddable	Quasi-embeddable
800 Hz	800 Hz
Table 1	Table 1
Diagram 1	Diagram 1
Built-in	Built-in
10 ... 30 VDC	10 ... 30 VDC
-25 ... +70 °C	-25 ... +70 °C
≤ 200 mA	≤ 200 mA



long distance



long distance



DW-AD-501-M12-120

DW-AD-502-M12-120

DW-AD-503-M12-120

DW-AD-504-M12-120



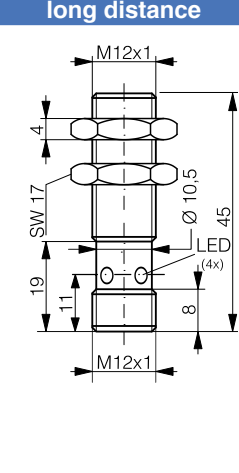
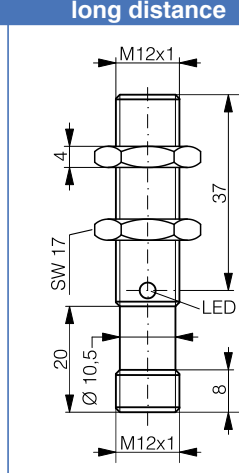
DW-AD-501-M12



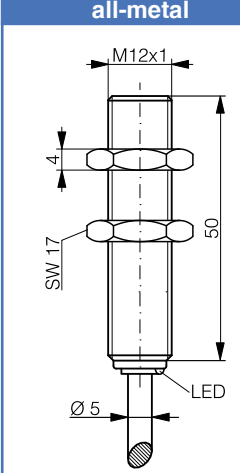
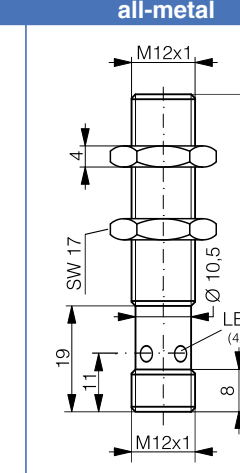
DW-AD-502-M12

DW-AD-503-M12

DW-AD-504-M12

1	Inductive proximity switches
2	Photoelectric proximity switches
3	Optical fibers
4	Connecting cables
5	Accessories
6	Glossary
7	Index

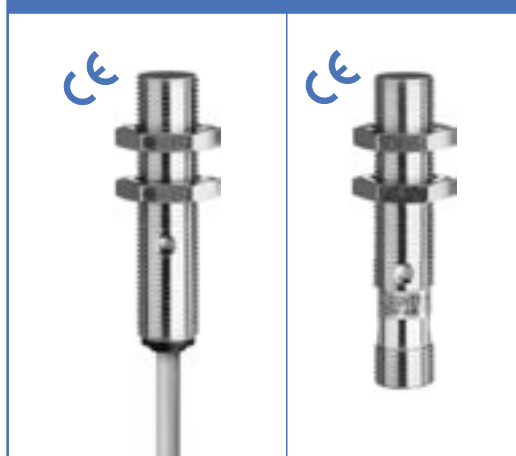
Size	M12	
	6	6
Operating distance mm	6	6
Housing material	Chrome-plated brass	Chrome-plated brass
Connection ¹⁾	Connector S12	Connector S12
Degree of protection	IP 67	IP 67
Mounting	Quasi-embeddable	Quasi-embeddable
Max. switching frequency	800 Hz	800 Hz
Technical data ²⁾	Table 1	Table 1
Wiring ³⁾	Diagram 2	Diagram 2
LED	Built-in	Built-in
Supply voltage range	10 ... 30 VDC	10 ... 30 VDC
Ambient temperature range	-25 ... +70 °C	-25 ... +70 °C
Output current	≤ 200 mA	≤ 200 mA
¹⁾ Standard cable length 2 m. Non-standard cable lengths and types on request. ²⁾ see page 68 ³⁾ see page 69 ⁴⁾ see page 112		
	long distance	long distance
Dimensions:		
Part references: (bold: preferred types)		
NPN N.O.	DW-AS-501-M12-120	DW-AS-501-M12
NPN N.C.		DW-AS-502-M12
PNP N.O.	DW-AS-503-M12-120	DW-AS-503-M12
PNP N.C.		DW-AS-504-M12
NAMUR		
AC/DC 2-wire N.O.		
AC/DC 2-wire N.C.		
Compatible connectors ⁴⁾	G ... N	G ... N (N.O.); K ... N (N.C.)

Size	M12	
	6	6
Operating distance mm	6	6
Housing material	Stainless steel V2A	Stainless steel V2A
Connection ¹⁾	PUR cable type 11	Connector S12
Degree of protection	IP 68	IP 67
Mounting	Embeddable	Embeddable
Max. switching frequency	400 Hz	400 Hz
Technical data ²⁾	Table 1	Table 1
Wiring ³⁾	Diagram 1	Diagram 2
LED	Built-in	Built-in
Supply voltage range	10 ... 30 VDC	10 ... 30 VDC
Ambient temperature range	-25 ... +70 °C	-25 ... +70 °C
Output current	≤ 200 mA	≤ 200 mA
¹⁾ Standard cable length 2 m. Non-standard cable lengths and types on request. ²⁾ see page 68 ³⁾ see page 69 ⁴⁾ see page 112		
	all-metal	all-metal
Dimensions:		
Part references: (bold: preferred types)		
NPN N.O.	DW-AD-701-M12	DW-AS-701-M12
NPN N.C.	DW-AD-702-M12	DW-AS-702-M12
PNP N.O.	DW-AD-703-M12	DW-AS-703-M12
PNP N.C.	DW-AD-704-M12	DW-AS-704-M12
NAMUR		
AC/DC 2-wire N.O.		
AC/DC 2-wire N.C.		
Compatible connectors ⁴⁾		G ... N (N.O.); K ... N (N.C.)

SERIES 520

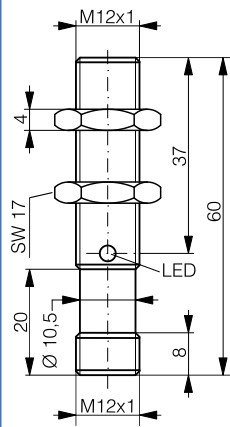
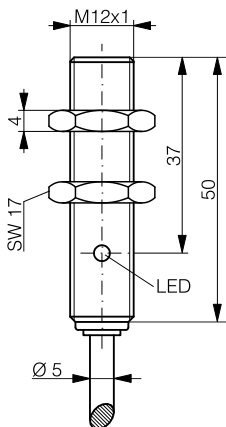
M12

8	8
Chrome-plated brass	Chrome-plated brass
PVC cable type 8	Connector S12
IP 67	IP 67
Quasi-embeddable	Quasi-embeddable
400 Hz	400 Hz
Table 1	Table 1
Diagram 1	Diagram 2
Built-in	Built-in
10 ... 30 VDC	10 ... 30 VDC
-25 ... +70 °C	-25 ... +70 °C
≤ 200 mA	≤ 200 mA



4 x distance

4 x distance



DW-AD-523-M12

DW-AS-523-M12

G ... N

SERIES 500

M12

10	10	10	10
Chrome-plated brass	Chrome-plated brass	Chrome-plated brass	Chrome-plated brass
PVC cable type 8	PVC cable type 8	Connector S12	Connector S12
IP 67	IP 67	IP 67	IP 67
Non-embeddable	Non-embeddable	Non-embeddable	Non-embeddable
400 Hz	400 Hz	400 Hz	400 Hz
Table 1	Table 1	Table 1	Table 1
Diagram 1	Diagram 1	Diagram 2	Diagram 2
Built-in	Built-in	Built-in	Built-in
10 ... 30 VDC	10 ... 30 VDC	10 ... 30 VDC	10 ... 30 VDC
-25 ... +70 °C	-25 ... +70 °C	-25 ... +70 °C	-25 ... +70 °C
≤ 200 mA	≤ 200 mA	≤ 200 mA	≤ 200 mA

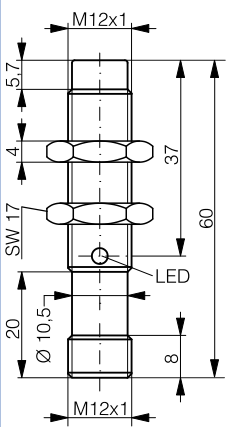
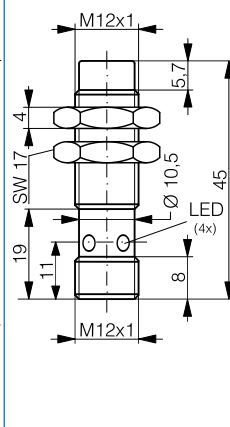
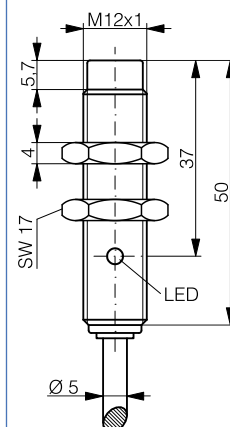
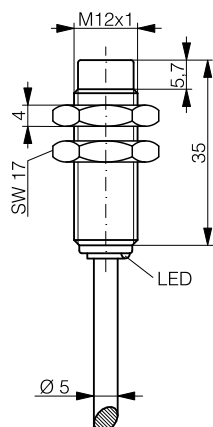


long distance

long distance

long distance

long distance



DW-AD-511-M12-120

DW-AD-511-M12

DW-AS-511-M12-120

DW-AS-511-M12

DW-AD-512-M12

DW-AS-512-M12

DW-AD-513-M12-120

DW-AD-513-M12

DW-AS-513-M12-120

DW-AS-513-M12



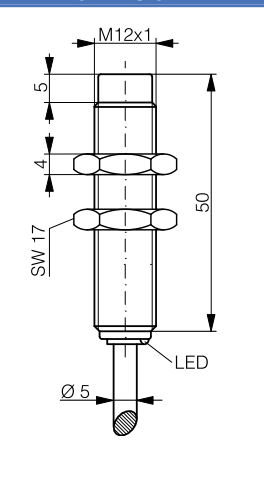
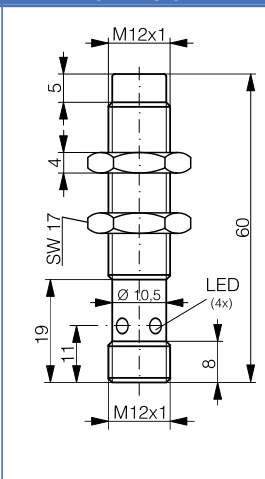
DW-AD-514-M12



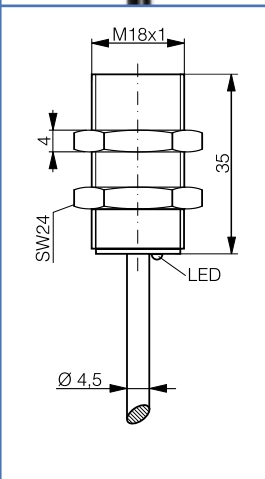
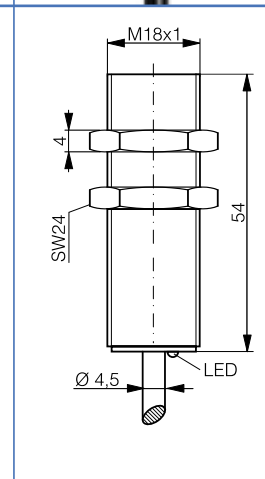
DW-AS-514-M12

G ... N

G ... N (N.O.); K ... N (N.C.)

For all these products, you will find detailed data sheets, application notes, dimensional drawings, cross-reference lists, part references, new items, special executions, extensive additional technical information, specifications concerning quality, safety and standards, as well as the addresses of our agents, and much more besides, on our Internet website at www.contrinex.com. The website contents are constantly up-dated and extended.

Size	M12	
Operating distance mm	10	10
Housing material	Stainless steel V2A	Stainless steel V2A
Connection ¹⁾	PUR cable type 11	Connector S12
Degree of protection	IP 68	IP 67
Mounting	Non-embeddable	Non-embeddable
Max. switching frequency	400 Hz	400 Hz
Technical data ²⁾	Table 1	Table 1
Wiring ³⁾	Diagram 1	Diagram 2
LED	Built-in	Built-in
Supply voltage range	10 ... 30 VDC	10 ... 30 VDC
Ambient temperature range	-25 ... +70 °C	-25 ... +70 °C
Output current	≤ 200 mA	≤ 200 mA
¹⁾ Standard cable length 2 m. Non-standard cable lengths and types on request. ²⁾ see page 68 ³⁾ see page 69 ⁴⁾ see page 112		
	all-metal	all-metal
Dimensions:		
Part references: (bold: preferred types)		
NPN N.O.	DW-AD-711-M12	DW-AS-711-M12
NPN N.C.	DW-AD-712-M12	DW-AS-712-M12
PNP N.O.	DW-AD-713-M12	DW-AS-713-M12
PNP N.C.	DW-AD-714-M12	DW-AS-714-M12
NAMUR		
AC/DC 2-wire N.O.		
AC/DC 2-wire N.C.		
Compatible connectors ⁴⁾		G ... N (N.O.); K ... N (N.C.)

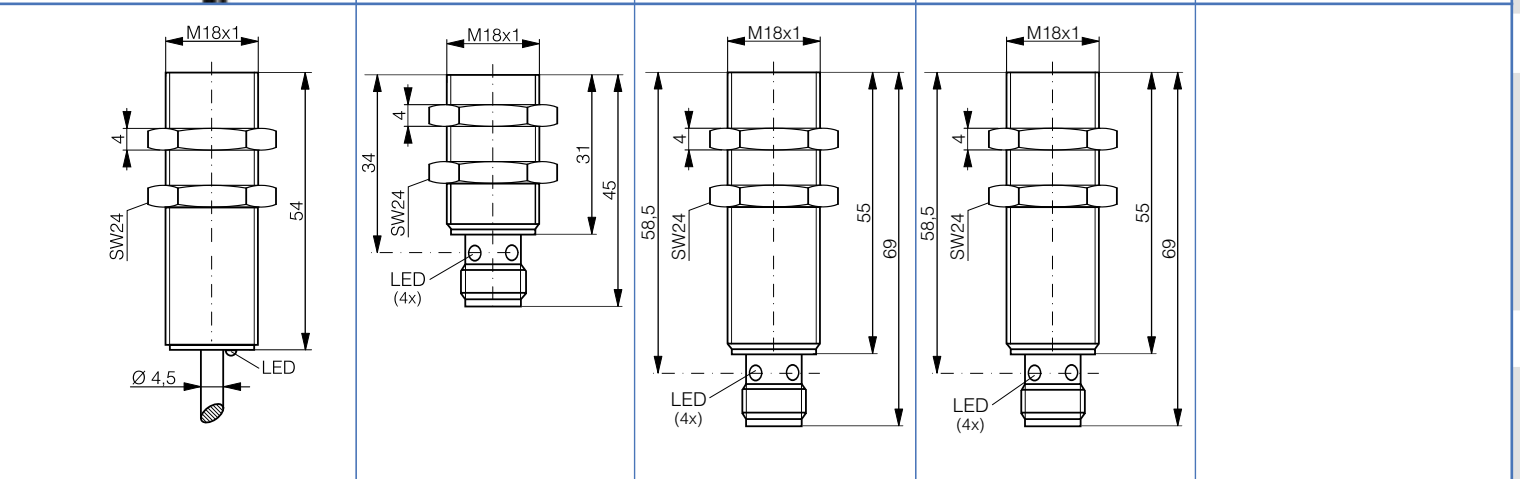
Size	M18	
Operating distance mm	5	5
Housing material	Nickel-plated brass	Nickel-plated brass
Connection ¹⁾	PUR cable type 5	PUR cable type 5
Degree of protection	IP 67	IP 67
Mounting	Embeddable	Embeddable
Max. switching frequency	800 Hz	800 Hz
Technical data ²⁾	Table 2	Table 2
Wiring ³⁾	Diagram 2	Diagram 2
LED	Built-in	Built-in
Supply voltage range	15 ... 34 VDC	15 ... 34 VDC
Ambient temperature range	-25 ... +85 °C	-25 ... +85 °C
Output current	≤ 200 mA / ≤ 150 mA*	≤ 200 mA / ≤ 150 mA*
¹⁾ Standard cable length 2 m. Non-standard cable lengths and types on request. ²⁾ see page 68 ³⁾ see page 69 ⁴⁾ see page 112		
	all-metal	all-metal
Dimensions:		
Part references: (bold: preferred types)		
NPN N.O.	DW-AD-601-M18-120	DW-AD-601-M18
NPN N.C.	DW-AD-602-M18-120	DW-AD-602-M18
PNP N.O.	DW-AD-603-M18-120	DW-AD-603-M18
PNP N.C.	DW-AD-604-M18-120	DW-AD-604-M18
NAMUR		
AC/DC 2-wire N.O.		
AC/DC 2-wire N.C.		
Compatible connectors ⁴⁾		

*50 °C / 85 °C

SERIES 600

M18

5	5	5	5	
Nickel-plated brass	Nickel-plated brass	Nickel-plated brass	Nickel-plated brass	
PUR cable type 5	Connector S12	Connector S12	Connector S12	
IP 67	IP 67	IP 67	IP 67	
Embeddable	Embeddable	Embeddable	Embeddable	
25 Hz (AC) / 490 Hz (DC)	800 Hz	800 Hz	25 Hz (AC) / 490 Hz (DC)	
Table 4	Table 2	Table 2	Table 4	
Diagram 3	Diagram 2	Diagram 2	Diagram 3	
Built-in	Built-in	Built-in	Built-in	
20 ... 265 VAC / 20 ... 320 VDC	15 ... 34 VDC	15 ... 34 VDC	20 ... 265 VAC / 20 ... 320 VDC	
-25 ... +85 °C	-25 ... +85 °C	-25 ... +85 °C	-25 ... +85 °C	
≤ 300 mA	≤ 200 mA / ≤ 150 mA*	≤ 200 mA / ≤ 150 mA*	≤ 300 mA	





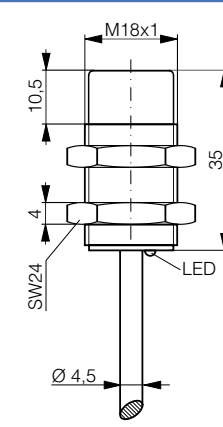
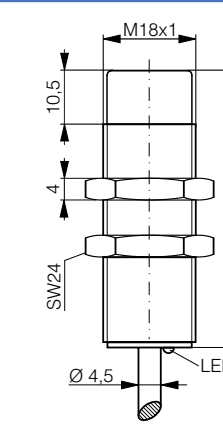
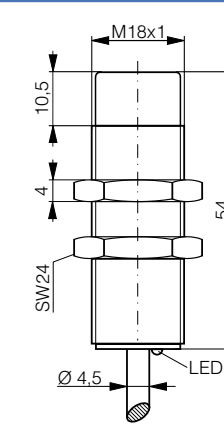
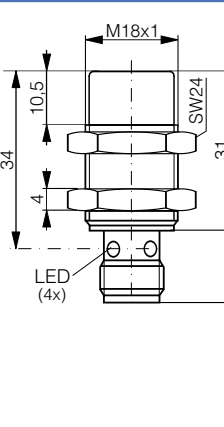


	DW-AS-601-M18-120	DW-AS-601-M18-002	
	DW-AS-602-M18-120	DW-AS-602-M18-002	
	DW-AS-603-M18-120	DW-AS-603-M18-002	
	DW-AS-604-M18-120	DW-AS-604-M18-002	
DW-AD-607-M18			DW-AS-607-M18-002
DW-AD-608-M18			DW-AS-608-M18-002
	G ... N (N.O.); K ... N (N.C.)	G ... N (N.O.); K ... N (N.C.)	M, N

*50 °C / 85 °C

For all these products, you will find detailed data sheets, application notes, dimensional drawings, cross-reference lists, part references, new items, special executions, extensive additional technical information, specifications concerning quality, safety and standards, as well as the addresses of our agents, and much more besides, on our Internet website at www.contrinex.com. The website contents are constantly up-dated and extended.

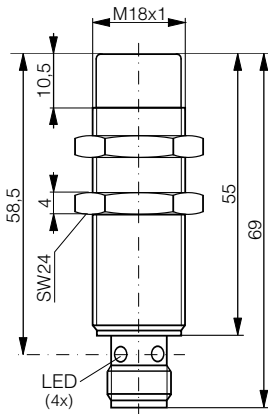
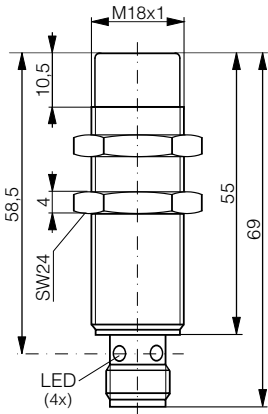
M18

Size				
Operating distance mm	8	8	8	8
Housing material	Nickel-plated brass	Nickel-plated brass	Nickel-plated brass	Nickel-plated brass
Connection ¹⁾	PUR cable type 5	PUR cable type 5	PUR cable type 5	Connector S12
Degree of protection	IP 67	IP 67	IP 67	IP 67
Mounting	Non-embeddable	Non-embeddable	Non-embeddable	Non-embeddable
Max. switching frequency	500 Hz	500 Hz	25 Hz (AC) / 340 Hz (DC)	500 Hz
Technical data ²⁾	Table 2	Table 2	Table 4	Table 2
Wiring ³⁾	Diagram 2	Diagram 2	Diagram 3	Diagram 2
LED	Built-in	Built-in	Built-in	Built-in
Supply voltage range	15 ... 34 VDC	15 ... 34 VDC	20 ... 265 VAC / 20 ... 320 VDC	15 ... 34 VDC
Ambient temperature range	-25 ... +85 °C	-25 ... +85 °C	-25 ... +85 °C	-25 ... +85 °C
Output current	≤ 200 mA / ≤ 150 mA*	≤ 200 mA / ≤ 150 mA*	≤ 300 mA	≤ 200 mA / ≤ 150 mA*
¹⁾ Standard cable length 2 m. Non-standard cable lengths and types on request. ²⁾ see page 68 ³⁾ see page 69 ⁴⁾ see page 112				
Dimensions:				
Part references: (bold: preferred types)				
NPN N.O.	DW-AD-611-M18-120	DW-AD-611-M18		DW-AS-611-M18-120
NPN N.C.	DW-AD-612-M18-120	DW-AD-612-M18		DW-AS-612-M18-120
PNP N.O.	DW-AD-613-M18-120	DW-AD-613-M18		DW-AS-613-M18-120
PNP N.C.	DW-AD-614-M18-120	DW-AD-614-M18		DW-AS-614-M18-120
NAMUR				
AC/DC 2-wire N.O.			DW-AD-617-M18	
AC/DC 2-wire N.C.			DW-AD-618-M18	
Compatible connectors ⁴⁾				G ... N (N.O.); K ... N (N.C.)

*50 °C / 85 °C

M18

8	8
Nickel-plated brass	Nickel-plated brass
Connector S12	Connector S12
IP 67	IP 67
Non-embeddable	Non-embeddable
500 Hz	25 Hz (AC) / 340 Hz (DC)
Table 2	Table 4
Diagram 2	Diagram 3
Built-in	Built-in
15 ... 34 VDC	20 ... 265 VAC / 20 ... 320 VDC
-25 ... +85 °C	-25 ... +85 °C
≤ 200 mA / ≤ 150 mA*	≤ 300 mA



DW-AS-611-M18-002

DW-AS-612-M18-002

DW-AS-613-M18-002

DW-AS-614-M18-002

DW-AS-617-M18-002

DW-AS-618-M18-002

G ... N (N.O.); K ... N (N.C.)

M, N

*50 °C / 85 °C

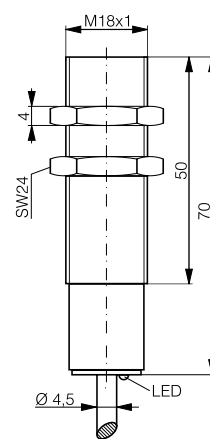
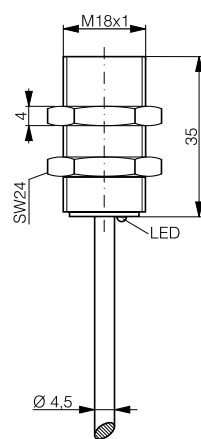
M18

8	8
Nickel-plated brass	Nickel-plated brass
PUR cable type 5	PUR cable type 5
IP 67	IP 67
Quasi-embeddable	Quasi-embeddable
500 Hz	500 Hz
Table 2	Table 2
Diagram 2	Diagram 2
Built-in	Built-in
15 ... 34 VDC	15 ... 34 VDC
-25 ... +85 °C	-25 ... +85 °C
≤ 200 mA / ≤ 150 mA*	≤ 200 mA / ≤ 150 mA*



increased distance

increased distance



**

**

**

**

DW-AD-623-M18-120

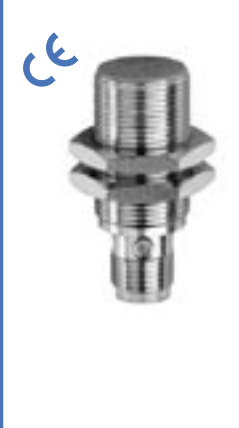

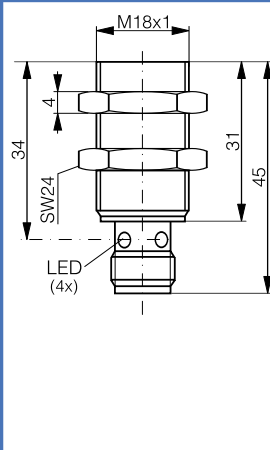
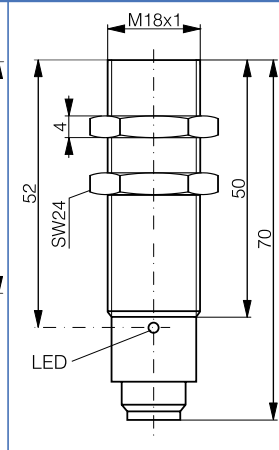
DW-AD-623-M18

**

**



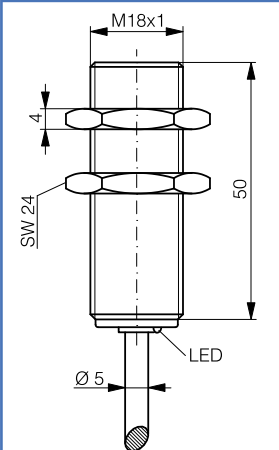
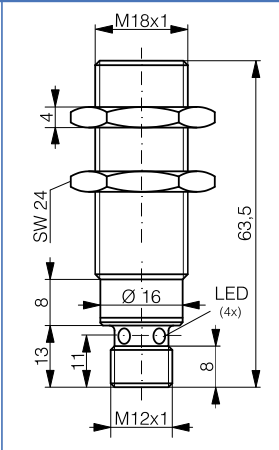
** on request

For all these products, you will find detailed data sheets, application notes, dimensional drawings, cross-reference lists, part references, new items, special executions, extensive additional technical information, specifications concerning quality, safety and standards, as well as the addresses of our agents, and much more besides, on our Internet website at www.contrinex.com. The website contents are constantly up-dated and extended.

Size	M18	
	8	8
Operating distance mm	8	8
Housing material	Nickel-plated brass	Nickel-plated brass
Connection ¹⁾	Connector S12	Connector S12
Degree of protection	IP 67	IP 67
Mounting	Quasi-embeddable	Quasi-embeddable
Max. switching frequency	500 Hz	500 Hz
Technical data ²⁾	Table 2	Table 2
Wiring ³⁾	Diagram 2	Diagram 2
LED	Built-in	Built-in
Supply voltage range	15 ... 34 VDC	15 ... 34 VDC
Ambient temperature range	-25 ... +85 °C	-25 ... +85 °C
Output current	≤ 200 mA / ≤ 150 mA*	≤ 200 mA / ≤ 150 mA*
¹⁾ Standard cable length 2 m. Non-standard cable lengths and types on request. ²⁾ see page 68 ³⁾ see page 69 ⁴⁾ see page 112		
	increased distance	increased distance
Dimensions:		
Part references: (bold: preferred types)		
NPN N.O.	**	**
NPN N.C.	**	**
PNP N.O.	DW-AS-623-M18-120	DW-AS-623-M18-002
PNP N.C.	**	**
NAMUR		
AC/DC 2-wire N.O.		
AC/DC 2-wire N.C.		
Compatible connectors ⁴⁾	G ... N	G ... N

*50 °C / 85 °C

** on request

Size	M18	
	10	10
Operating distance mm	10	10
Housing material	Stainless steel V2A	Stainless steel V2A
Connection ¹⁾	PUR cable type 11	Connector S12
Degree of protection	IP 68	IP 67
Mounting	Embeddable	Embeddable
Max. switching frequency	200 Hz	200 Hz
Technical data ²⁾	Table 1	Table 1
Wiring ³⁾	Diagram 1	Diagram 2
LED	Built-in	Built-in
Supply voltage range	10 ... 30 VDC	10 ... 30 VDC
Ambient temperature range	-25 ... +70 °C	-25 ... +70 °C
Output current	≤ 200 mA	≤ 200 mA
¹⁾ Standard cable length 2 m. Non-standard cable lengths and types on request. ²⁾ see page 68 ³⁾ see page 69 ⁴⁾ see page 112		
	all-metal	all-metal
Dimensions:		
Part references: (bold: preferred types)		
DW-AD-701-M18	DW-AS-701-M18-002	
DW-AD-702-M18	DW-AS-702-M18-002	
DW-AD-703-M18	DW-AS-703-M18-002	
DW-AD-704-M18	DW-AS-704-M18-002	
	G ... N (N.O.); K ... N (N.C.)	

M18

12

12

12

12

Chrome-plated brass

Chrome-plated brass

Chrome-plated brass

Chrome-plated brass

PVC cable type 8

PVC cable type 8

Connector S12

Connector S12

IP 67

IP 67

IP 67

IP 67

Quasi-embeddable

Quasi-embeddable

Quasi-embeddable

Quasi-embeddable

500 Hz

500 Hz

500 Hz

500 Hz

Table 1

Table 1

Table 1

Table 1

Diagram 1

Diagram 1

Diagram 2

Diagram 2

Built-in

Built-in

Built-in

Built-in

10 ... 30 VDC

10 ... 30 VDC

10 ... 30 VDC

10 ... 30 VDC

-25 ... +70 °C

-25 ... +70 °C

-25 ... +70 °C

-25 ... +70 °C

≤ 200 mA

≤ 200 mA

≤ 200 mA

≤ 200 mA

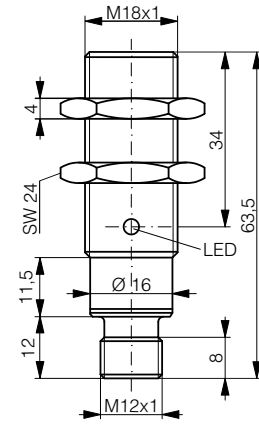
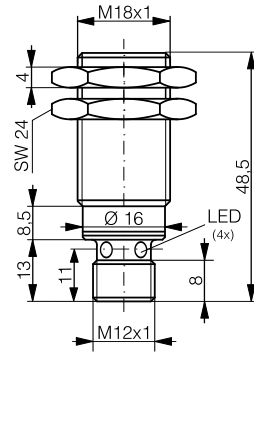
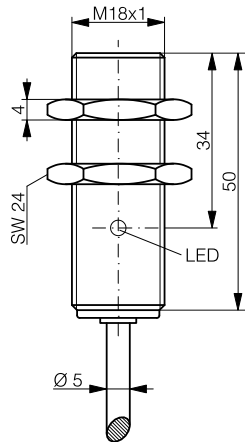
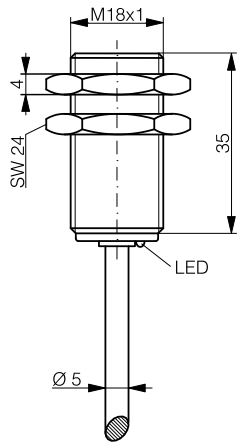


long distance

long distance

long distance

long distance



DW-AD-501-M18-120

DW-AD-501-M18

DW-AS-501-M18-120

DW-AS-501-M18-002

DW-AD-502-M18

DW-AS-502-M18-002

DW-AD-503-M18-120

DW-AD-503-M18

DW-AS-503-M18-120

DW-AS-503-M18-002

DW-AD-504-M18





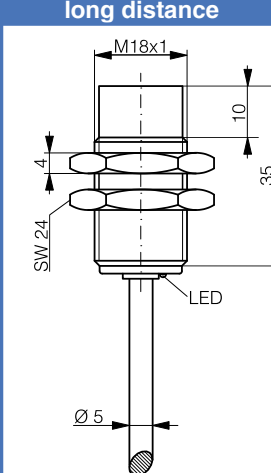
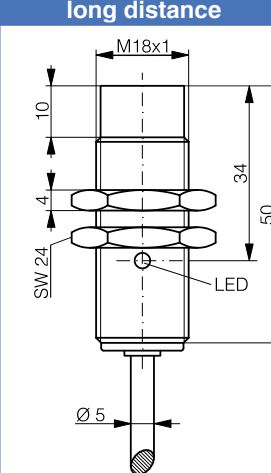
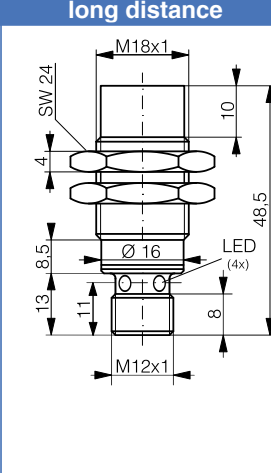
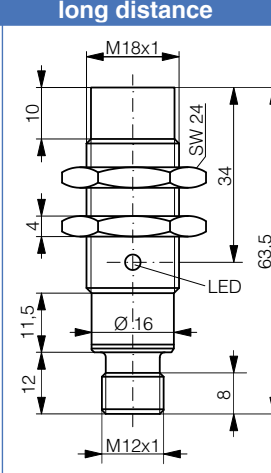
DW-AS-504-M18-002

G ... N

G ... N (N.O.); K ... N (N.C.)

For all these products, you will find detailed data sheets, application notes, dimensional drawings, cross-reference lists, part references, new items, special executions, extensive additional technical information, specifications concerning quality, safety and standards, as well as the addresses of our agents, and much more besides, on our Internet website at www.contrinex.com. The website contents are constantly up-dated and extended.

M18

Size	M18				
Operating distance mm	20	20	20	20	
Housing material	Chrome-plated brass	Chrome-plated brass	Chrome-plated brass	Chrome-plated brass	
Connection ¹⁾	PVC cable type 8	PVC cable type 8	Connector S12	Connector S12	
Degree of protection	IP 67	IP 67	IP 67	IP 67	
Mounting	Non-embeddable	Non-embeddable	Non-embeddable	Non-embeddable	
Max. switching frequency	200 Hz	200 Hz	200 Hz	200 Hz	
Technical data ²⁾	Table 1	Table 1	Table 1	Table 1	
Wiring ³⁾	Diagram 1	Diagram 1	Diagram 2	Diagram 2	
LED	Built-in	Built-in	Built-in	Built-in	
Supply voltage range	10 ... 30 VDC	10 ... 30 VDC	10 ... 30 VDC	10 ... 30 VDC	
Ambient temperature range	-25 ... +70 °C	-25 ... +70 °C	-25 ... +70 °C	-25 ... +70 °C	
Output current	≤ 200 mA	≤ 200 mA	≤ 200 mA	≤ 200 mA	
¹⁾ Standard cable length 2 m. Non-standard cable lengths and types on request. ²⁾ see page 68 ³⁾ see page 69 ⁴⁾ see page 112					
	long distance	long distance	long distance	long distance	
	Dimensions:				
	Part references: (bold: preferred types)	DW-AD-511-M18-120	DW-AD-511-M18 DW-AD-512-M18	DW-AS-511-M18-120	DW-AS-511-M18-002 DW-AS-512-M18-002
NPN N.O.	DW-AD-511-M18-120	DW-AD-511-M18	DW-AS-511-M18-120	DW-AS-511-M18-002	
NPN N.C.		DW-AD-512-M18		DW-AS-512-M18-002	
PNP N.O.	DW-AD-513-M18-120	DW-AD-513-M18	DW-AS-513-M18-120	DW-AS-513-M18-002	
PNP N.C.		DW-AD-514-M18		DW-AS-514-M18-002	
NAMUR					
AC/DC 2-wire N.O.					
AC/DC 2-wire N.C.					
Compatible connectors ⁴⁾			G ... N	G ... N (N.O.); K ... N (N.C.)	

M18

20

20

Stainless steel V2A

Stainless steel V2A

PUR cable type 11

Connector S12

IP 68

IP 67

Non-embeddable

Non-embeddable

200 Hz

200 Hz

Table 1

Table 1

Diagram 1

Diagram 2

Built-in

Built-in

10 ... 30 VDC

10 ... 30 VDC

-25 ... +70 °C

-25 ... +70 °C

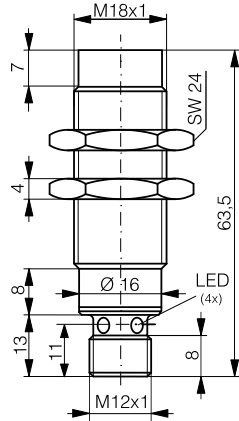
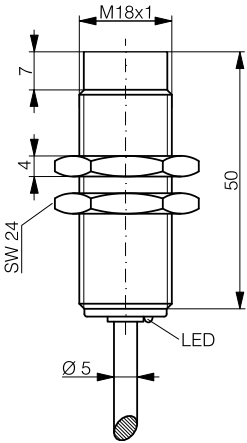
≤ 200 mA

≤ 200 mA



all-metal

all-metal



DW-AD-711-M18

DW-AS-711-M18-002

DW-AD-712-M18

DW-AS-712-M18-002

DW-AD-713-M18

DW-AS-713-M18-002

DW-AD-714-M18

DW-AS-714-M18-002

G ... N (N.O.); K ... N (N.C.)



- 1 Inductive proximity switches
- 2 Photoelectric proximity switches
- 3 Optical fibers
- 4 Connecting cables
- 5 Accessories
- 6 Glossary
- 7 Index

For all these products, you will find detailed data sheets, application notes, dimensional drawings, cross-reference lists, part references, new items, special executions, extensive additional technical information, specifications concerning quality, safety and standards, as well as the addresses of our agents, and much more besides, on our Internet website at www.contrinex.com. The website contents are constantly up-dated and extended.

X-ON Electronics

Largest Supplier of Electrical and Electronic Components

Click to view similar products for [Proximity Sensors](#) category:

Click to view products by [Contrinex](#) manufacturer:

Other Similar products are found below :

[01.001.5653.1](#) [70.340.1028.0](#) [70.360.2428.0](#) [70.364.4828.0](#) [70.810.1053.0](#) [72.360.1628.0](#) [73.363.6428.0](#) [9221350022](#) [980659-1](#) [QT-12](#)
[E2EX10D1NN](#) [E2E-X14MD1-G](#) [E2E-X2D1-G](#) [E2EX2ME2N](#) [E2E-X3D1-N](#) [10M](#) [E2E-X4MD1-G](#) [E2FMX1R5D12M](#) [E2K-F10MC1](#) [5M](#)
[EI1204TBOSL-6](#) [EI5515NPAP](#) [BSA-08-25-08](#) [IC08ANC15PO-K](#) [IMM2582C](#) [25.161.3253.0](#) [25.332.0653.1](#) [25.352.0653.0](#) [25.352.0753.0](#)
[25.523.3253.0](#) [9151710023](#) [922FS1.5C-A4P-Z774](#) [SC606ABV0S30](#) [SM952A126100LE](#) [A1220EUA-T](#) [F3S-A162-U](#) [CL18](#) [QT-08L](#)
[34.110.0010.0](#) [TL-C2MF1-M3-E4](#) [IA08BLF15NOM5](#) [IA08BSF15NOM5](#) [IA12ASF04DOM1](#) [IMM32188C](#) [IS2](#) [IS31SE5000-UTLS2-TR](#)
[34.110.0021.0](#) [34.110.0022.0](#) [CA150-120VACDC](#) [VM18VA3000Q](#) [XS508BSCBL2](#) [XS512BLNAM12](#)