
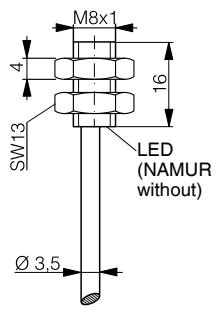
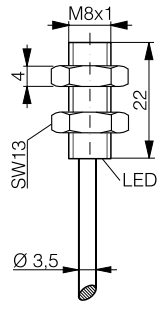
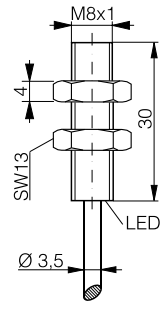
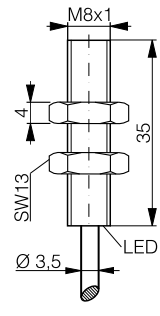

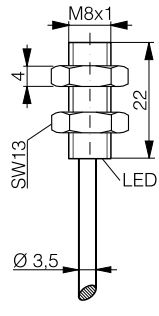
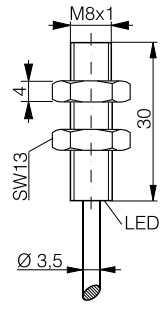
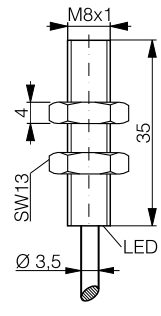


Size	<b>M8</b>	
Operating distance mm	<b>1.5</b>	
Housing material	Stainless steel V2A	
Connection <sup>1)</sup>	PVC cable type 2	
Degree of protection	IP 67	
Mounting	Embeddable	
Max. switching frequency	5,000 Hz	10,000 Hz
Technical data <sup>2)</sup>	Table 1	Table 5
Wiring <sup>3)</sup>	Diagram 1	Diagram 4
LED	Built-in	---
Supply voltage range	10 ... 30 VDC	7.7 ... 9 VDC
Ambient temperature range	-25 ... +70 °C	-25 ... +70 °C
Output current	≤ 200 mA	≤ 1 / ≥ 2.2 mA*
<sup>1)</sup> Standard cable length 2 m. Non-standard cable lengths and types on request. <sup>2)</sup> see page 68 <sup>3)</sup> see page 69 <sup>4)</sup> see page 112		
		
Dimensions:		
Part references:		
		
	Part references: ( <b>bold</b> : preferred types)	
NPN N.O.	<b>DW-AD-421-M8</b>	
NPN N.C.	DW-AD-422-M8	
PNP N.O.	<b>DW-AD-423-M8</b>	
PNP N.C.	DW-AD-424-M8	
NAMUR		<b>DW-AD-425-M8</b>
AC/DC 2-wire N.O.		
AC/DC 2-wire N.C.		
Compatible connectors <sup>4)</sup>		

\*damped / non-damped

Size	<b>M8</b>		
Operating distance mm	<b>1.5</b>	<b>1.5</b>	<b>1.5</b>
Housing material	Stainless steel V2A	Stainless steel V2A	Stainless steel V2A
Connection <sup>1)</sup>	PVC cable type 2	PVC cable type 2	PVC cable type 2
Degree of protection	IP 67	IP 67	IP 67
Mounting	Embeddable	Embeddable	Embeddable
Max. switching frequency	5,000 Hz	5,000 Hz	5,000 Hz
Technical data <sup>2)</sup>	Table 1	Table 1	Table 1
Wiring <sup>3)</sup>	Diagram 1	Diagram 1	Diagram 1
LED	Built-in	Built-in	Built-in
Supply voltage range	10 ... 30 VDC	10 ... 30 VDC	10 ... 30 VDC
Ambient temperature range	-25 ... +70 °C	-25 ... +70 °C	-25 ... +70 °C
Output current	≤ 200 mA	≤ 200 mA	≤ 200 mA
<sup>1)</sup> Standard cable length 2 m. Non-standard cable lengths and types on request. <sup>2)</sup> see page 68 <sup>3)</sup> see page 69 <sup>4)</sup> see page 112			
			
Dimensions:			
			
	Part references: ( <b>bold</b> : preferred types)		
NPN N.O.	<b>DW-AD-601-M8-121</b>	<b>DW-AD-601-M8-122</b>	<b>DW-AD-601-M8</b>
NPN N.C.	DW-AD-602-M8-121	DW-AD-602-M8-122	DW-AD-602-M8
PNP N.O.	<b>DW-AD-603-M8-121</b>	<b>DW-AD-603-M8-122</b>	<b>DW-AD-603-M8</b>
PNP N.C.	DW-AD-604-M8-121	DW-AD-604-M8-122	DW-AD-604-M8
NAMUR			
AC/DC 2-wire N.O.			
AC/DC 2-wire N.C.			
Compatible connectors <sup>4)</sup>			

# SERIES 420

## M8

### 1.5

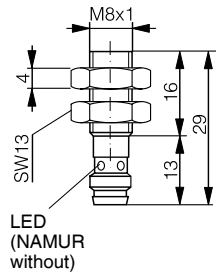
Stainless steel V2A

Connector S8

IP 67

Embeddable

5,000 Hz	10,000 Hz
Table 1	Table 5
Diagram 1	Diagram 4
Built-in	---
10 ... 30 VDC	7.7 ... 9 VDC
-25 ... +70 °C	-25 ... +70 °C
≤ 200 mA	≤ 1 / ≥ 2.2 mA*



**DW-AS-421-M8-001**

DW-AS-422-M8-001

**DW-AS-423-M8-001**

DW-AS-424-M8-001

**DW-AS-425-M8-001**

A ... D

A, B

\*damped / non-damped

# SERIES 600

## M8

### 1.5

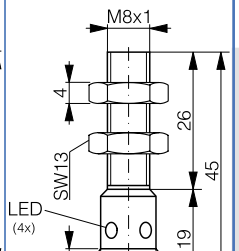
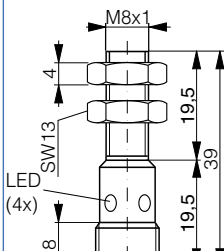
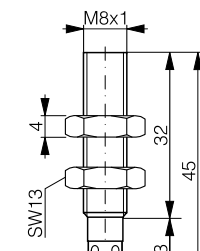
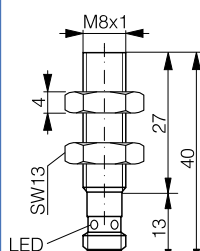
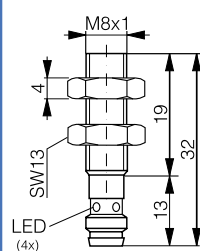
Stainless steel V2A

Connector S8

IP 67

Embeddable

5,000 Hz	5,000 Hz
Table 1	Table 1
Diagram 1	Diagram 1
Built-in	Built-in
10 ... 30 VDC	10 ... 30 VDC
-25 ... +70 °C	-25 ... +70 °C
≤ 200 mA	≤ 200 mA



**DW-AS-601-M8-123**

**DW-AS-601-M8-124**

**DW-AS-601-M8-001**

**DW-AS-601-M8-120**

**DW-AS-601-M8**

DW-AS-602-M8-123

DW-AS-602-M8-124

DW-AS-602-M8-001

DW-AS-602-M8

**DW-AS-603-M8-123**

**DW-AS-603-M8-124**

**DW-AS-603-M8-001**

**DW-AS-603-M8-120**

**DW-AS-603-M8**

DW-AS-604-M8-123

DW-AS-604-M8-124

DW-AS-604-M8-001

DW-AS-604-M8

A ... D

A ... D

A ... D





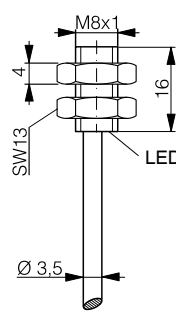
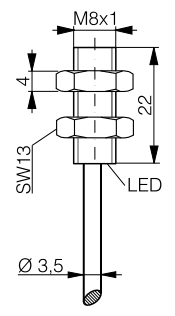
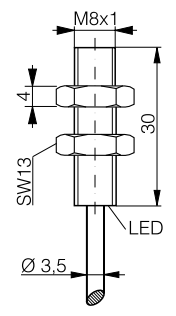
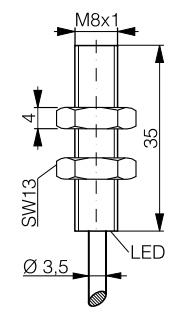
G ... N

G ... N (N.O.); K ... N (N.C.)

1	Inductive proximity switches
2	Photoelectric proximity switches
3	Optical fibers
4	Connecting cables
5	Accessories
6	Glossary
7	Index

For all these products, you will find detailed data sheets, application notes, dimensional drawings, cross-reference lists, part references, new items, special executions, extensive additional technical information, specifications concerning quality, safety and standards, as well as the addresses of our agents, and much more besides, on our Internet website at [www.contrinex.com](http://www.contrinex.com). The website contents are constantly up-dated and extended.

### M8

Size	M8				
Operating distance mm	<b>2</b>	<b>2</b>	<b>2</b>	<b>2</b>	
Housing material	Stainless steel V2A	Stainless steel V2A	Stainless steel V2A	Stainless steel V2A	
Connection <sup>1)</sup>	PVC cable type 2	PVC cable type 2	PVC cable type 2	PVC cable type 2	
Degree of protection	IP 67	IP 67	IP 67	IP 67	
Mounting	Embeddable	Embeddable	Embeddable	Embeddable	
Max. switching frequency	3,000 Hz	3,000 Hz	3,000 Hz	3,000 Hz	
Technical data <sup>2)</sup>	Table 1	Table 1	Table 1	Table 1	
Wiring <sup>3)</sup>	Diagram 1	Diagram 1	Diagram 1	Diagram 1	
LED	Built-in	Built-in	Built-in	Built-in	
Supply voltage range	10 ... 30 VDC	10 ... 30 VDC	10 ... 30 VDC	10 ... 30 VDC	
Ambient temperature range	-25 ... +70 °C	-25 ... +70 °C	-25 ... +70 °C	-25 ... +70 °C	
Output current	≤ 200 mA	≤ 200 mA	≤ 200 mA	≤ 200 mA	
<sup>1)</sup> Standard cable length 2 m. Non-standard cable lengths and types on request. <sup>2)</sup> see page 68 <sup>3)</sup> see page 69 <sup>4)</sup> see page 112					
	increased distance	increased distance	increased distance	increased distance	
	Dimensions:				
	Part references: <b>(bold: preferred types)</b>	<b>DW-AD-621-M8-120</b>	<b>DW-AD-621-M8-121</b>	<b>DW-AD-621-M8-122</b>	<b>DW-AD-621-M8</b>
NPN N.O.	DW-AD-622-M8-120	DW-AD-622-M8-121	DW-AD-622-M8-122	DW-AD-622-M8	
NPN N.C.	DW-AD-623-M8-120	DW-AD-623-M8-121	DW-AD-623-M8-122	DW-AD-623-M8	
PNP N.O.	DW-AD-624-M8-120	DW-AD-624-M8-121	DW-AD-624-M8-122	DW-AD-624-M8	
PNP N.C.					
NAMUR					
AC/DC 2-wire N.O.					
AC/DC 2-wire N.C.					
Compatible connectors <sup>4)</sup>					

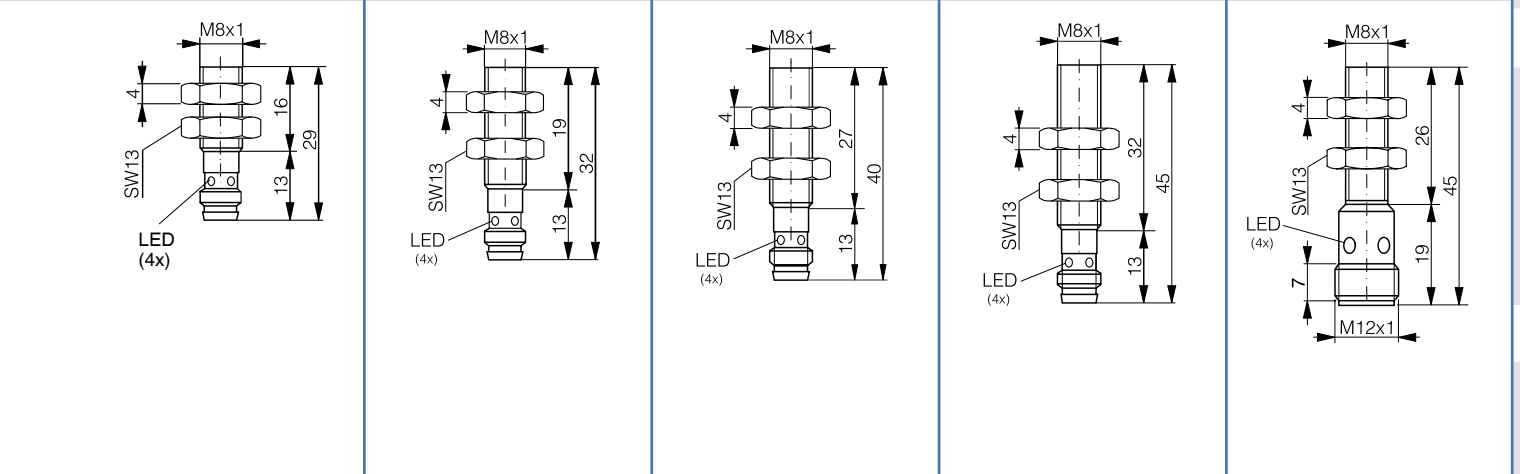
# SERIES 620

## M8

<b>2</b>	<b>2</b>	<b>2</b>	<b>2</b>	<b>2</b>
Stainless steel V2A	Stainless steel V2A	Stainless steel V2A	Stainless steel V2A	Stainless steel V2A
Connector S8	Connector S8	Connector S8	Connector S8	Connector S12
IP 67	IP 67	IP 67	IP 67	IP 67
Embeddable	Embeddable	Embeddable	Embeddable	Embeddable
3,000 Hz	3,000 Hz	3,000 Hz	3,000 Hz	3,000 Hz
Table 1	Table 1	Table 1	Table 1	Table 1
Diagram 1	Diagram 1	Diagram 1	Diagram 1	Diagram 2
Built-in	Built-in	Built-in	Built-in	Built-in
10 ... 30 VDC	10 ... 30 VDC	10 ... 30 VDC	10 ... 30 VDC	10 ... 30 VDC
-25 ... +70 °C	-25 ... +70 °C	-25 ... +70 °C	-25 ... +70 °C	-25 ... +70 °C
≤ 200 mA	≤ 200 mA	≤ 200 mA	≤ 200 mA	≤ 200 mA







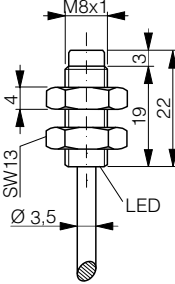
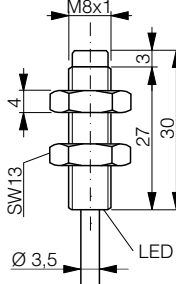
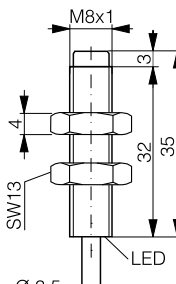
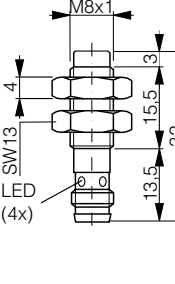
increased distance      increased distance      increased distance      increased distance      increased distance



<b>DW-AS-621-M8-129</b>	<b>DW-AS-621-M8-123</b>	<b>DW-AS-621-M8-124</b>	<b>DW-AS-621-M8-001</b>	<b>DW-AS-621-M8</b>
DW-AS-622-M8-129	DW-AS-622-M8-123	DW-AS-622-M8-124	DW-AS-622-M8-001	DW-AS-622-M8
<b>DW-AS-623-M8-129</b>	<b>DW-AS-623-M8-123</b>	<b>DW-AS-623-M8-124</b>	<b>DW-AS-623-M8-001</b>	<b>DW-AS-623-M8</b>
DW-AS-624-M8-129	DW-AS-624-M8-123	DW-AS-624-M8-124	DW-AS-624-M8-001	DW-AS-624-M8
A ... D	A ... D	A ... D	A ... D	G ... N (N.O.); K ... N (N.C.)




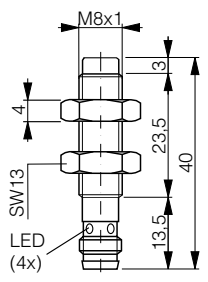
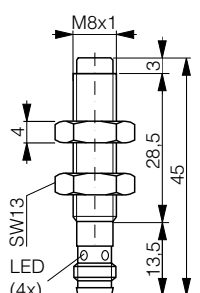
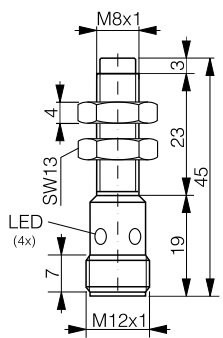
For all these products, you will find detailed data sheets, application notes, dimensional drawings, cross-reference lists, part references, new items, special executions, extensive additional technical information, specifications concerning quality, safety and standards, as well as the addresses of our agents, and much more besides, on our Internet website at [www.contrinex.com](http://www.contrinex.com). The website contents are constantly up-dated and extended.

### M8

Size				
Operating distance mm	<b>2.5</b>	<b>2.5</b>	<b>2.5</b>	<b>2.5</b>
Housing material	Stainless steel V2A	Stainless steel V2A	Nickel-plated brass	Stainless steel V2A
Connection <sup>1)</sup>	PVC cable type 2	PVC cable type 2	PVC cable type 2	Connector S8
Degree of protection	IP 67	IP 67	IP 67	IP 67
Mounting	Non-embeddable	Non-embeddable	Non-embeddable	Non-embeddable
Max. switching frequency	3,000 Hz	3,000 Hz	3,000 Hz	3,000 Hz
Technical data <sup>2)</sup>	Table 1	Table 1	Table 1	Table 1
Wiring <sup>3)</sup>	Diagram 1	Diagram 1	Diagram 1	Diagram 1
LED	Built-in	Built-in	Built-in	Built-in
Supply voltage range	10 ... 30 VDC	10 ... 30 VDC	10 ... 30 VDC	10 ... 30 VDC
Ambient temperature range	-25 ... +70 °C	-25 ... +70 °C	-25 ... +70 °C	-25 ... +70 °C
Output current	≤ 200 mA	≤ 200 mA	≤ 200 mA	≤ 200 mA
<sup>1)</sup> Standard cable length 2 m. Non-standard cable lengths and types on request. <sup>2)</sup> see page 68 <sup>3)</sup> see page 69 <sup>4)</sup> see page 112				
Dimensions:				
Part references: <b>(bold: preferred types)</b>				
NPN N.O.	<b>DW-AD-611-M8-121</b>	<b>DW-AD-611-M8-122</b>	<b>DW-AD-611-M8</b>	<b>DW-AS-611-M8-123</b>
NPN N.C.	DW-AD-612-M8-121	DW-AD-612-M8-122	DW-AD-612-M8	DW-AS-612-M8-123
PNP N.O.	<b>DW-AD-613-M8-121</b>	<b>DW-AD-613-M8-122</b>	<b>DW-AD-613-M8</b>	<b>DW-AS-613-M8-123</b>
PNP N.C.	DW-AD-614-M8-121	DW-AD-614-M8-122	DW-AD-614-M8	DW-AS-614-M8-123
NAMUR				
AC/DC 2-wire N.O.				
AC/DC 2-wire N.C.				
Compatible connectors <sup>4)</sup>				A ... D

# SERIES 600





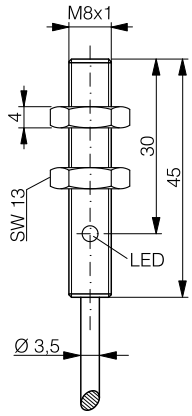
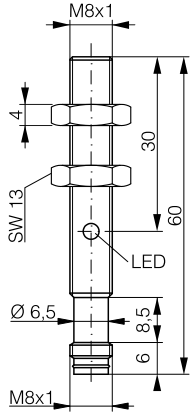
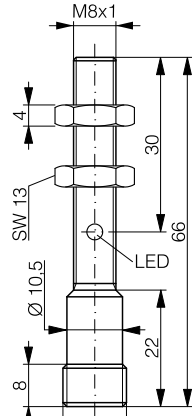
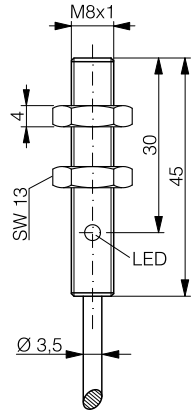
## M8

2.5	2.5	2.5		
Stainless steel V2A	Nickel-plated brass	Nickel-plated brass		
Connector S8	Connector S8	Connector S12		
IP 67	IP 67	IP 67		
Non-embeddable	Non-embeddable	Non-embeddable		
3,000 Hz	3,000 Hz	3,000 Hz		
Table 1	Table 1	Table 1		
Diagram 1	Diagram 1	Diagram 2		
Built-in	Built-in	Built-in		
10 ... 30 VDC	10 ... 30 VDC	10 ... 30 VDC		
-25 ... +70 °C	-25 ... +70 °C	-25 ... +70 °C		
≤ 200 mA	≤ 200 mA	≤ 200 mA		
				
				
<b>DW-AS-611-M8-124</b>	<b>DW-AS-611-M8-001</b>	<b>DW-AS-611-M8</b>		
DW-AS-612-M8-124	DW-AS-612-M8-001	DW-AS-612-M8		
<b>DW-AS-613-M8-124</b>	<b>DW-AS-613-M8-001</b>	<b>DW-AS-613-M8</b>		
DW-AS-614-M8-124	DW-AS-614-M8-001	DW-AS-614-M8		
A ... D	A ... D	G ... N (N.O.); K ... N (N.C.)		

1 Inductive proximity switches  
 2 Photoelectric proximity switches  
 3 Optical fibers  
 4 Connecting cables  
 5 Accessories  
 6 Glossary  
 7 Index

For all these products, you will find detailed data sheets, application notes, dimensional drawings, cross-reference lists, part references, new items, special executions, extensive additional technical information, specifications concerning quality, safety and standards, as well as the addresses of our agents, and much more besides, on our Internet website at [www.contrinex.com](http://www.contrinex.com). The website contents are constantly up-dated and extended.

### M8

Size	M8			
Operating distance mm	<b>3</b>	<b>3</b>	<b>3</b>	<b>4</b>
Housing material	Chrome-plated brass	Chrome-plated brass	Chrome-plated brass	Chrome-plated brass
Connection <sup>1)</sup>	PVC cable type 2	Connector S8	Connector S12	PVC cable type 2
Degree of protection	IP 67	IP 67	IP 67	IP 67
Mounting	Quasi-embeddable	Quasi-embeddable	Quasi-embeddable	Quasi-embeddable
Max. switching frequency	1,000 Hz	1,000 Hz	1,000 Hz	500 Hz
Technical data <sup>2)</sup>	Table 1	Table 1	Table 1	Table 1
Wiring <sup>3)</sup>	Diagram 1	Diagram 1	Diagram 2	Diagram 1
LED	Built-in	Built-in	Built-in	Built-in
Supply voltage range	10 ... 30 VDC	10 ... 30 VDC	10 ... 30 VDC	10 ... 30 VDC
Ambient temperature range	-25 ... +70 °C	-25 ... +70 °C	-25 ... +70 °C	-25 ... +70 °C
Output current	≤ 200 mA	≤ 200 mA	≤ 200 mA	≤ 200 mA
<sup>1)</sup> Standard cable length 2 m. Non-standard cable lengths and types on request. <sup>2)</sup> see page 68 <sup>3)</sup> see page 69 <sup>4)</sup> see page 112				
	<b>long distance</b>	<b>long distance</b>	<b>long distance</b>	<b>4 x distance</b>
				
	Part references: <b>(bold: preferred types)</b>			
NPN N.O.	<b>DW-AD-501-M8</b>	<b>DW-AS-501-M8-001</b>	<b>DW-AS-501-M8</b>	
NPN N.C.	DW-AD-502-M8	DW-AS-502-M8-001	DW-AS-502-M8	
PNP N.O.	<b>DW-AD-503-M8</b>	<b>DW-AS-503-M8-001</b>	<b>DW-AS-503-M8</b>	<b>DW-AD-523-M8</b>
PNP N.C.	DW-AD-504-M8	DW-AS-504-M8-001	DW-AS-504-M8	
NAMUR				
AC/DC 2-wire N.O.				
AC/DC 2-wire N.C.				
Compatible connectors <sup>4)</sup>		A ... D	G ... N (N.O.); K ... N (N.C.)	

# SERIES 520

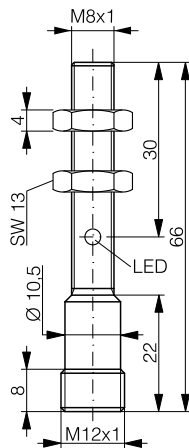
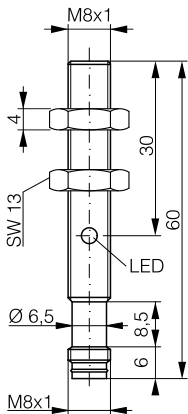
## M8

<b>4</b>	<b>4</b>
Chrome-plated brass	Chrome-plated brass
Connector S8	Connector S12
IP 67	IP 67
Quasi-embeddable	Quasi-embeddable
500 Hz	500 Hz
Table 1	Table 1
Diagram 1	Diagram 2
Built-in	Built-in
10 ... 30 VDC	10 ... 30 VDC
-25 ... +70 °C	-25 ... +70 °C
≤ 200 mA	≤ 200 mA



4 x distance

4 x distance



**DW-AS-523-M8-001**

**DW-AS-523-M8**

A ... D

G ... N

# SERIES 500

## M8

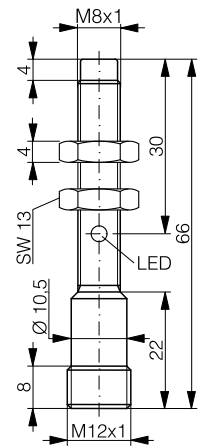
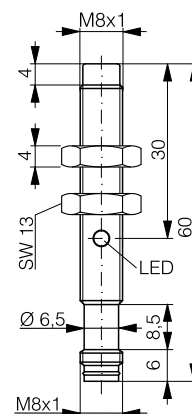
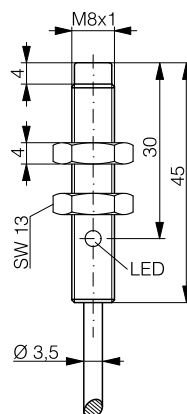
<b>6</b>	<b>6</b>	<b>6</b>
Chrome-plated brass	Chrome-plated brass	Chrome-plated brass
PVC cable type 2	Connector S8	Connector S12
IP 67	IP 67	IP 67
Non-embeddable	Non-embeddable	Non-embeddable
500 Hz	500 Hz	500 Hz
Table 1	Table 1	Table 1
Diagram 1	Diagram 1	Diagram 2
Built-in	Built-in	Built-in
10 ... 30 VDC	10 ... 30 VDC	10 ... 30 VDC
-25 ... +70 °C	-25 ... +70 °C	-25 ... +70 °C
≤ 200 mA	≤ 200 mA	≤ 200 mA



long distance

long distance

long distance



**DW-AD-511-M8**

**DW-AS-511-M8-001**

**DW-AS-511-M8**

DW-AD-512-M8

DW-AS-512-M8-001

DW-AS-512-M8

**DW-AD-513-M8**

**DW-AS-513-M8-001**

**DW-AS-513-M8**

DW-AD-514-M8

DW-AS-514-M8-001

DW-AS-514-M8

A ... D

G ... N (N.O.); K ... N (N.C.)

For all these products, you will find detailed data sheets, application notes, dimensional drawings, cross-reference lists, part references, new items, special executions, extensive additional technical information, specifications concerning quality, safety and standards, as well as the addresses of our agents, and much more besides, on our Internet website at [www.contrinex.com](http://www.contrinex.com). The website contents are constantly up-dated and extended.



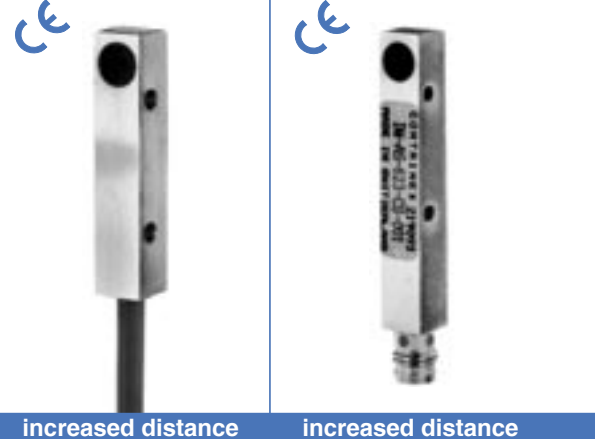
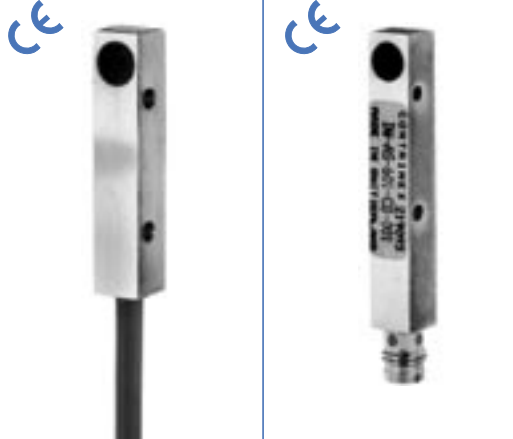
### □ 8x8

### □ 8x8

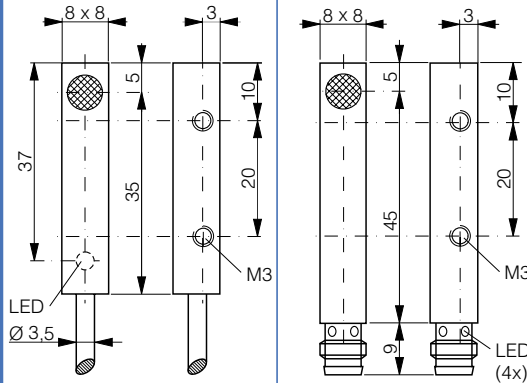
Size	1.5	1.5
Operating distance mm	1.5	1.5
Housing material	Nickel-plated brass	Nickel-plated brass
Connection <sup>1)</sup>	PVC cable type 2	Connector S8
Degree of protection	IP 67	IP 67
Mounting	Embeddable	Embeddable
Max. switching frequency	5,000 Hz	5,000 Hz
Technical data <sup>2)</sup>	Table 1	Table 1
Wiring <sup>3)</sup>	Diagram 1	Diagram 1
LED	Built-in	Built-in
Supply voltage range	10 ... 30 VDC	10 ... 30 VDC
Ambient temperature range	-25 ... +70 °C	-25 ... +70 °C
Output current	≤ 200 mA	≤ 200 mA

Size	2	2
Operating distance mm	2	2
Housing material	Chrome-plated brass	Chrome-plated brass
Connection <sup>1)</sup>	PVC cable type 2	Connector S8
Degree of protection	IP 67	IP 67
Mounting	Embeddable	Embeddable
Max. switching frequency	3,000 Hz	3,000 Hz
Technical data <sup>2)</sup>	Table 1	Table 1
Wiring <sup>3)</sup>	Diagram 1	Diagram 1
LED	Built-in	Built-in
Supply voltage range	10 ... 30 VDC	10 ... 30 VDC
Ambient temperature range	-25 ... +70 °C	-25 ... +70 °C
Output current	≤ 200 mA	≤ 200 mA

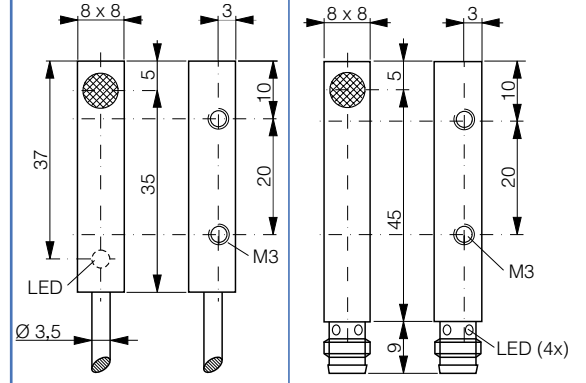
- <sup>1)</sup> Standard cable length 2 m.  
Non-standard cable lengths  
and types on request.  
<sup>2)</sup> see page 68  
<sup>3)</sup> see page 69  
<sup>4)</sup> see page 112



#### Dimensions:



#### increased distance



Part references:  
(**bold**: preferred types)

NPN N.O.	<b>DW-AD-601-C8</b>	<b>DW-AS-601-C8-001</b>
NPN N.C.	DW-AD-602-C8	DW-AS-602-C8-001
PNP N.O.	<b>DW-AD-603-C8</b>	<b>DW-AS-603-C8-001</b>
PNP N.C.	DW-AD-604-C8	DW-AS-604-C8-001
NAMUR		
AC/DC 2-wire N.O.		
AC/DC 2-wire N.C.		
Compatible connectors <sup>4)</sup>		A ... D

<b>DW-AD-621-C8</b>	<b>DW-AS-621-C8-001</b>
DW-AD-622-C8	DW-AS-622-C8-001
<b>DW-AD-623-C8</b>	<b>DW-AS-623-C8-001</b>
DW-AD-624-C8	DW-AS-624-C8-001
	A ... D

# SERIES 500

## □ 8x8

3

3

Chrome-plated brass

Chrome-plated brass

PVC cable type 2

Connector S8

IP 67

IP 67

Quasi-embeddable

Quasi-embeddable

1,000 Hz

1,000 Hz

Table 1

Table 1

Diagram 1

Diagram 1

Built-in

Built-in

10 ... 30 VDC

10 ... 30 VDC

-25 ... +70 °C

-25 ... +70 °C

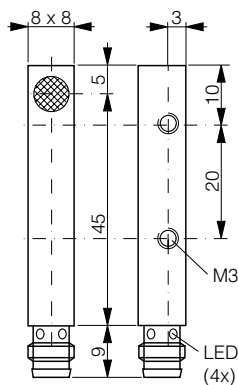
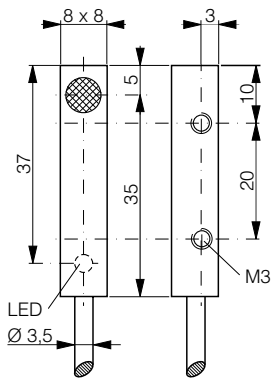
≤ 200 mA

≤ 200 mA



long distance

long distance



**DW-AD-501-C8**

**DW-AS-501-C8**

DW-AD-502-C8

DW-AS-502-C8

**DW-AD-503-C8**

**DW-AS-503-C8**

DW-AD-504-C8

DW-AS-504-C8

A ... D



1	Inductive proximity switches
2	Photoelectric proximity switches
3	Optical fibers
4	Connecting cables
5	Accessories
6	Glossary
7	Index

For all these products, you will find detailed data sheets, application notes, dimensional drawings, cross-reference lists, part references, new items, special executions, extensive additional technical information, specifications concerning quality, safety and standards, as well as the addresses of our agents, and much more besides, on our Internet website at [www.contrinex.com](http://www.contrinex.com). The website contents are constantly up-dated and extended.

## X-ON Electronics

Largest Supplier of Electrical and Electronic Components

*Click to view similar products for [Proximity Sensors](#) category:*

*Click to view products by [Contrinex](#) manufacturer:*

Other Similar products are found below :

[01.001.5653.1](#) [70.340.1028.0](#) [70.360.2428.0](#) [70.364.4828.0](#) [70.810.1053.0](#) [72.360.1628.0](#) [73.363.6428.0](#) [9221350022](#) [980659-1](#) [QT-12](#)  
[E2EX10D1NN](#) [E2E-X14MD1-G](#) [E2E-X2D1-G](#) [E2EX2ME2N](#) [E2E-X3D1-N 10M](#) [E2E-X4MD1-G](#) [E2FMX1R5D12M](#) [E2K-F10MC1 5M](#)  
[EI1204TBOSL-6](#) [EI5515NPAP](#) [BSA-08-25-08](#) [IC08ANC15PO-K](#) [IMM2582C](#) [25.161.3253.0](#) [25.332.0653.1](#) [25.352.0653.0](#) [25.352.0753.0](#)  
[25.523.3253.0](#) [9151710023](#) [922FS1.5C-A4P-Z774](#) [SC606ABV0S30](#) [SM952A126100LE](#) [A1220EUA-T](#) [F3S-A162-U](#) [CL18](#) [QT-08L](#)  
[34.110.0010.0](#) [TL-C2MF1-M3-E4](#) [IA08BLF15NOM5](#) [IA08BSF15NOM5](#) [IA12ASF04DOM1](#) [IMM32188C](#) [IS2](#) [IS31SE5000-UTLS2-TR](#)  
[34.110.0021.0](#) [34.110.0022.0](#) [CA150-120VACDC](#) [VM18VA3000Q](#) [XS508BSCBL2](#) [XS512BLNAM12](#)