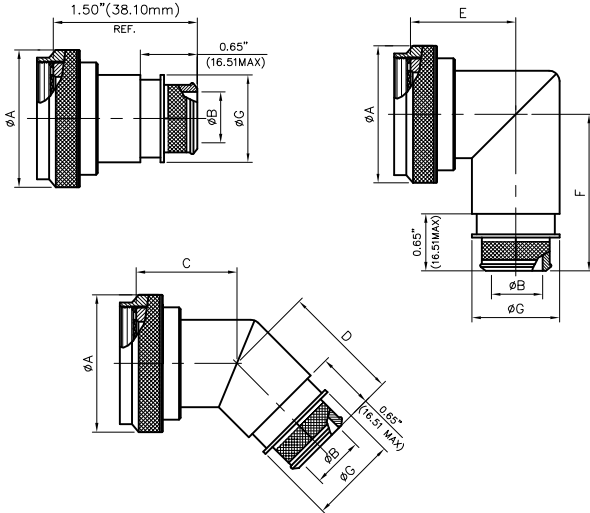
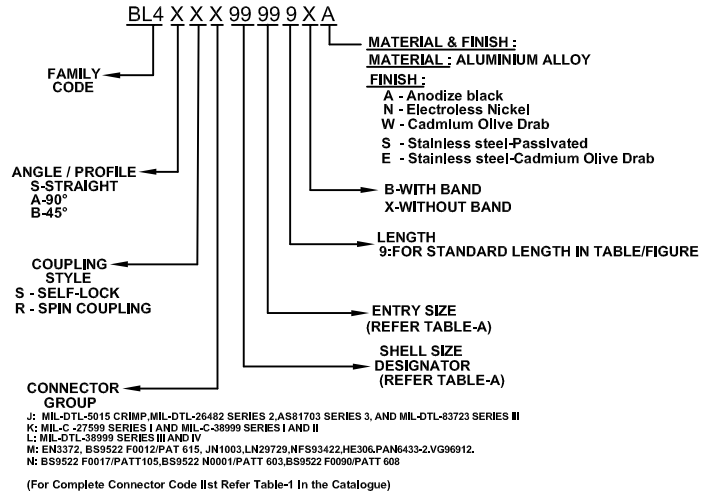


Issue No.	Eng. Ref. No.	REVISIONS	Date	App. By
3	1051	Boot Seat Dimension Added	30/07/08	paramesh
4	1121	C,D,E&F-DIMENSIONS MODIFIED	24/10/08	paramesh

## BAND LOCK ADAPTOR (4) :-



## PART NUMBERING SYSTEM :-



## DIMENSIONS :-

TABLE-A :-

SHELL SIZE DESIGNATOR	ENTRY SIZE	CONNECTOR SHELL SIZE	ØA MAX.		ØB		C MAX.		D MAX.		E MAX.		F MAX.		G	
			INCH	MM	+0.00 -0.02	+0.00 -0.50	INCH	MM	INCH	MM	INCH	MM	INCH	MM	INCH	MM
08	01	8/9	0.86	21.82	N/A	N/A	0.85	21.61	1.20	30.46	0.72	18.32	1.48	37.49	N/A	N/A
	02				0.26	6.60									0.43	11.10
10	01	10/11	0.99	25.04	N/A	N/A	0.88	22.41	1.23	31.22	0.79	20.01	1.54	39.09	N/A	N/A
	02				0.32	8.13									0.50	12.70
12	01	7/12/13	1.16	29.36	0.32	8.13	0.90	22.91	1.25	31.74	0.84	21.38	1.61	40.95	0.50	12.70
	02				0.45	11.43									0.62	15.80
14	01	12/14/15	1.28	32.54	0.45	11.43	0.93	23.61	1.28	32.50	0.91	23.06	1.69	42.88	0.62	15.80
	02				0.57	14.48									0.75	19.10
16	01	19/16/17	1.41	35.71	0.51	12.95	0.96	24.41	1.30	33.01	0.97	24.66	1.74	44.12	0.68	17.40
	02				0.64	16.26									0.81	20.60
18	01	27/18/19	1.52	38.51	0.64	16.26	0.98	25.00	1.31	33.26	1.04	26.44	1.83	46.53	0.81	20.60
	02				0.76	19.30									0.93	23.80
20	01	37/20/21	1.64	41.68	0.64	16.26	0.99	25.21	1.34	34.02	1.09	27.56	1.86	47.12	0.81	20.60
	02				0.82	20.83									1.00	25.40
22	01	22/23	1.77	44.86	0.70	17.78	1.02	25.91	1.37	34.79	1.20	30.41	1.92	48.72	0.87	22.20
	02				0.95	24.13									1.12	28.50
24	01	24/25	1.89	48.03	0.76	19.30	1.05	26.71	1.39	35.29	1.21	30.78	1.98	50.24	0.93	23.80
	02				1.01	25.65									1.18	30.10

## MATERIAL :-

- Aluminium alloy as per ASTM B211 / B85
- Corrosion resistant steel as per AMS-QQ-S-763

## NOTE :-

For more Cable Entry and length options please refer PSTDBS510/PSTDBS513.

<h1>Amphenol</h1> <p>AIPL</p>			TITLE			
			BAND LOCK ADAPTOR(4)			
Name			Dwg. No.		<h1>PSTDBS208</h1>	
Date			REV. NO. : 02			
Drawn by			Dwg. Size		<p>All Dimensions are in MM/INCHES</p> <h1>STANDARD</h1>	
Checked by			A4			
App. by			Sheet 1 OF 1			

Issue No.	Eng. Ref. No.	REVISIONS	Date	App. By
06	1455	ØG TOLERANCE AMENDED	04/01/10	paramesh
07	1517	"Y" LENGTH AMENDED	24/04/10	paramesh

☞ TABLE-C

CABLE ENTRY RANGES :-

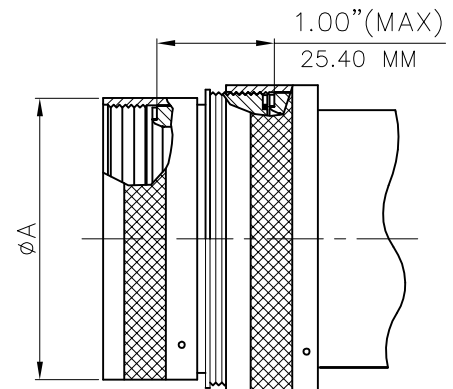
AMPHENOL PART NUMBER DESIGNATOR	CABLE ENTRY RANGE		BOOT LIP	
	B DIA		G DIA	
	INCH	MM	INCH	MM
	+0.01 -0.02	+0.25 -0.50	+0.07 -0.00	+1.80 -0.00
50	0.13	3.18	0.31	7.92
51	0.19	4.78	0.37	9.50
52	0.25	6.35	0.44	11.10
53	0.31	7.92	0.50	12.70
54	0.38	9.53	0.56	14.27
55	0.44	11.13	0.62	15.85
56	0.50	12.70	0.69	17.45
57	0.56	14.27	0.75	19.05
58	0.63	15.88	0.81	20.62
59	0.69	17.48	0.87	22.20
60	0.75	19.05	0.94	23.80
61	0.81	20.62	1.00	25.40
62	0.88	22.23	1.06	26.97
63	0.94	23.83	1.12	28.55
64	1.00	25.40	1.19	30.15
65	1.06	26.97	1.25	31.75
66	1.13	28.58	1.31	33.32
67	1.25	31.75	1.44	36.50
68	1.38	34.93	1.56	39.67
69	1.50	38.10	1.69	42.85
70	1.63	41.28	1.81	46.02
71	1.75	44.45	1.94	49.20
72	1.88	47.63	2.06	52.37
73	2.00	50.80	2.19	55.55

☞ TABLE-D

LENGTHS :-

(ONLY FOR STRAIGHT BACKSHELLS)

AMPHENOL PART NUMBER DESIGNATOR	LENGTHS	
	INCH	MM
	+0.039 -0.079	+1.00 -2.00
A	1.50	38.10
B	2.00	50.80
C	2.50	63.50
D	3.00	76.20
E	3.50	88.90
F	4.00	101.60
G	4.50	114.30
H	5.00	127.00
J	5.50	139.70
K	6.00	152.40
L	6.50	165.10
M	7.00	177.80
N	7.50	190.50
P	8.00	203.20
Y	1.35	34.30
Z	1.00	25.40



STYLE 2 :

☞ NOTE:

↪ When Maximum Cable Entry Exceed's Connector Shell Diameter, Style-2 will be Supplied.

<p><b>Amphenol</b> AIIPL</p>			TITLE		
			<p>ADDITIONAL CABLE ENTRY SIZES AND LENGTHS [BANDLOCK BACKSHELL(BL)]</p>		
Drawn by	Name	Date	Dwg. Size	Dwg.No.	<p><b>PSTDBS510</b></p>
Checked by					
App.by					
			A4	Doc. No.: QF-DEV-76	<p>Sheet 1 OF 1</p>
				REV. NO. : 02	
<p><b>STANDARD</b></p>					

## X-ON Electronics

Largest Supplier of Electrical and Electronic Components

*Click to view similar products for [Circular MIL Spec Strain Reliefs & Adapters](#) category:*

*Click to view products by [Amphenol](#) manufacturer:*

Other Similar products are found below :

[896227-000](#) [899170S004](#) [6000-063-0022](#) [613751-000](#) [CS6624-000](#) [620AB038Z136](#) [620AS001Z108](#) [620AS038Z112](#) [620AS038Z120](#)  
[620AS038Z132](#) [620FB038NF08](#) [620HA038NF13](#) [620HA038NF25](#) [620HA042XM13](#) [620HB049NF17](#) [620HS011NF21](#) [620HS038NF11](#)  
[620HS038Z121](#) [620HS042XM19](#) [620HS042XM25](#) [620HS042XW13](#) [620HS048B17](#) [620MS064NF09](#) [620MS064NF12](#) [620MS065M12](#)  
[620MS065Z107](#) [620MS065ZNU06](#) [630J041M06H](#) [630J041M20H](#) [640830-000](#) [659943-000](#) [66241-10A](#) [CW0597-000](#) [CW0598-000](#)  
[CW0948-000](#) [CY0122-000](#) [M85049/41-6A W/B](#) [M85049/42-12DS](#) [M85049/47N8](#) [M85049/47W18](#) [M85049/51-1-14S](#) [M85049/51-1-8W](#)  
[M85049/51S16S](#) [M85049/60-1N16](#) [M85049/60-2G12W](#) [M85049/69-11N](#) [CZ3661-000](#) [D02922-000](#) [70.360.1628.0](#) [703797-000](#)