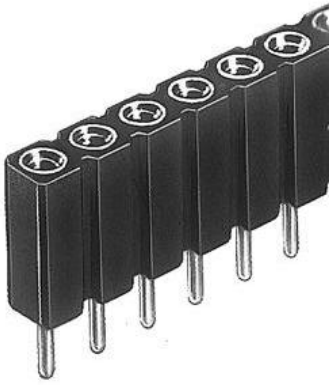


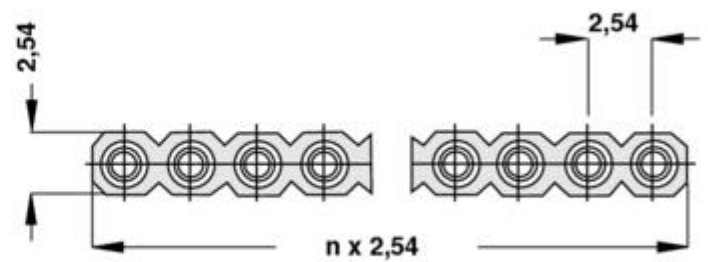
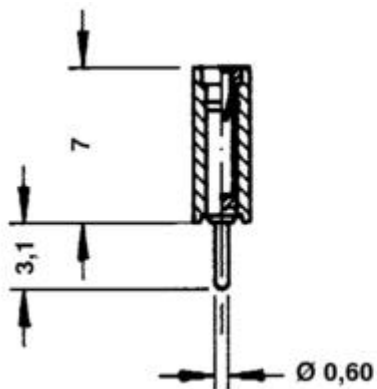
High-precision female headers soldering technique / **BL 5**



for square 0.635 mm and up to 0.85 mm \varnothing

Parameters of article BL 5

version	standard
no. of contacts	1 - 36
angle	straight
number of rows	1
connection type	soldering
grid	2.54
plug-in cross-section	square 0.635 / \varnothing 0.65 to 0.85
soldering	yes
Reflow solderable	yes



Technical data PCB connectors

	BL 5-10, 15-17, 20
Contact material: shell	CuZn-alloy
Contact surface of the shell: gold/tin	only tin: Ni + 6 µm Sn
Contact spring: material/surface	CuBe-alloy / Ni+0,75µmAu
Transition resistance:	≤ 10 mOhm
Shock resistance:	50 g
Vibration resistance max.:	15 g
Capacity between two adjacent contacts:	≤ 0,3 pF
Current rating:	3 A
Nominal voltage:	100 V AC / 150 V DC
Test voltage:	1500 V
Insulator: material	PA 4.6, GF
Temperature range:	-40 °C ... +163 °C (+260 °C 1 min.)
Flammability class:	UL 94 V-0
Insulation resistance:	> 10 ¹² Ohm
Plugability for pins:	□ 0,55 x 0,55 mm to □ 0,65 x 0,65 mm, Ø 0,65...0,85 mm
Insertion depth for pins:	2,5 ... 6 mm
Insertion/Extraction, type:	6-fingers: 1,27 N/0,3 N

X-ON Electronics

Largest Supplier of Electrical and Electronic Components

Click to view similar products for [FFC & FPC Connectors](#) category:

Click to view products by [Fisher](#) manufacturer:

Other Similar products are found below :

[HFW11R-1STE1H1LF](#) [FH29B-100S-0.2SHW\(99\)](#) [FA5S008HP1](#) [FH29B-120S-0.2SHW\(99\)](#) [FH29B-80S-0.2SHW\(99\)](#) [FHS-16](#) [FPH-2022G](#)
[52610-1075](#) [52610-1275](#) [52610-1934](#) [XF3M\(1\)-1415-1B-R100](#) [501864-3091-TR225](#) [0525594033](#) [086210010340800](#) [086222026001800](#)
[52271-2869-CUT-TAPE](#) [62674-201121DLF](#) [62684-36210E9ALF](#) [52610-1675](#) [52746-1671-TR250](#) [10051922-2810EHLF](#) [6-520415-9](#)
[BD021-09A-A1-0350-0200-0550-LD](#) [SFV6R-1STE9HLF](#) [XF3M-2915-1B-R100](#) [1658549-1](#) [62674-221121ALF](#) [46214008010800](#)
[046298003000883](#) [151660622](#) [842-816-2630-035](#) [AYF530665TA](#) [AYF351525](#) [046296011930846+](#) [AYF352325A](#) [046254020000800+](#)
[FH19C-13S-0.5SH\(99\)](#) [FH39J-51S-0.3SHW\(99\)](#) [AYF355125A](#) [AYF530365TA](#) [FH29B-44S-0.2SHW\(99\)](#) [SFW5R-2STAE9LF](#) [AYF351125A](#)
[AYF350725A](#) [62684-502100AHLF](#) [FH39-61S-0.3SHW\(99\)](#) [AYF414035A](#) [10064555-172520HLF](#) [AYF212335A](#) [504754-2500](#)