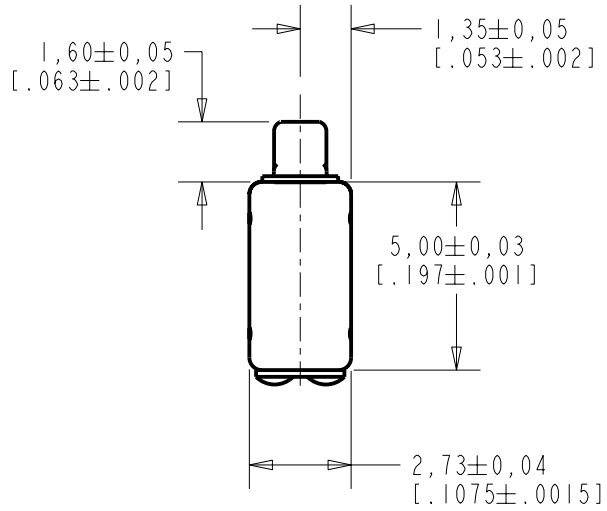
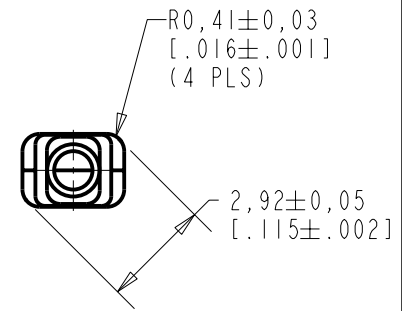
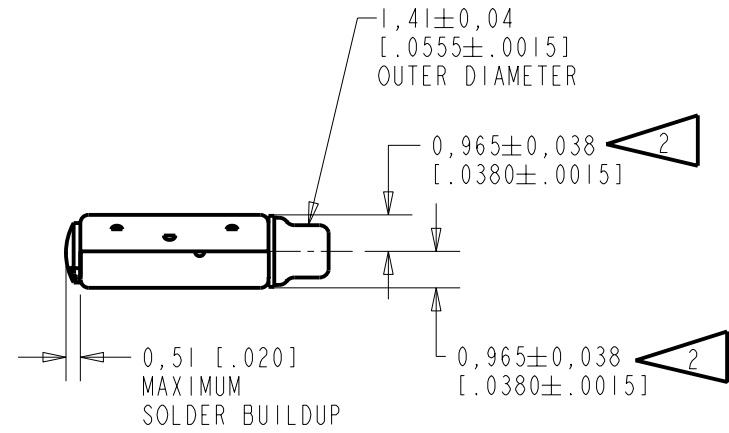
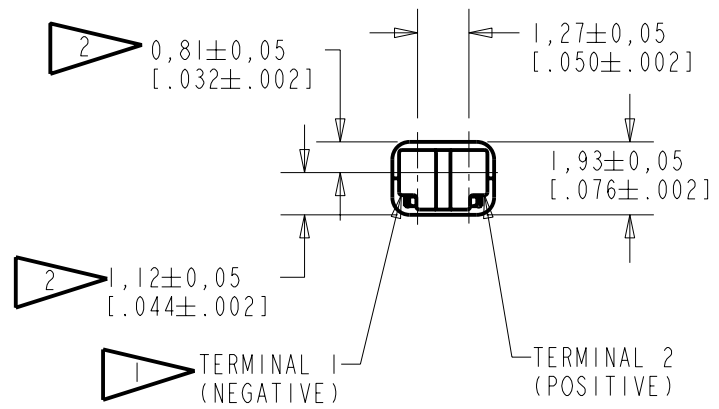


**FK-23451-000**  
SHT 1.1



NOTES:

- 1 A POSITIVE GOING VOLTAGE AT TERMINAL 2, RELATIVE TO TERMINAL 1, CAUSES A DECREASE IN PRESSURE AT THE SOUND OUTLET.
- 2 LOCATED FROM TWO SURFACES FOR CUSTOMER CONVENIENCE. ONLY APPLICABLE FROM ONE SURFACE, NOT TO BE USED TOGETHER.



SCALE 2:1 DIMENSIONS IN MILLIMETERS [INCHES]

**KNOWLES ELECTRONICS**  
ITASCA, ILLINOIS U.S.A.

Revision	C.O. #	Implementation Date	RELEASE LEVEL	REVISION
B	C10103994	3-22-06	Released	B
A	C10103113	9-6-05		
SCALE: 5:1			DR. BY: MMM	DATE: 9-6-05
DO NOT SCALE DRAWING			CK. BY: GJP	DATE: 9-12-05
TITLE: RECEIVER		FK-23451-000		APP. BY: GJP
OUTLINE DRAWING		SHT 1.1		DATE: 9-12-05

3. RESPONSE, IMPEDANCE, AND DISTORTION MEASUREMENTS MADE USING THE ELECTRICAL TEST CONDITIONS SHOWN BELOW.
4. ELECTRICAL SOURCE IMPEDANCE MUST BE GREATER THAN 20 TIMES 1kHz IMPEDANCE FOR TEST CONDITIONS SHOWN BELOW.
5. INDIVIDUAL SPECIFICATIONS.

PORT LOCATION	IMPEDANCE OHMS ±15%		DCR @20°C OHMS ±10%	DISTORTION		ELECTRICAL TEST CONDITIONS	
	1KHz	500Hz		MAX. %	FREQ Hz	AC mA RMS	DC mA
12S	630	450	360	5	800	0.50	0.00

Revision	C.O. #	Implementation Date	RELEASE LEVEL	REVISION
B	C10103994	3-22-06	<b>Released</b>	<b>B</b>
A	C10103113	9-6-05		

**KNOWLES ELECTRONICS**  
ITASCA, ILLINOIS U.S.A.

WHEN TEST LIMITS ARE USED TO ESTABLISH INCOMING INSPECTION ACCEPTANCE/REJECTION CRITERIA, CORRELATION OF TEST EQUIPMENT WITH KNOWLES IS ALSO REQUIRED FOR ELIMINATION OF EQUIPMENT AND TEST METHOD VARIATION

DR. BY	DATE
MMM	9-6-05

TITLE: **RECEIVER**  
PERFORMANCE SPECIFICATION

**FK-23451-000**  
**SHT 2.1**

CK. BY	DATE
GJP	9-12-05
APP. BY	DATE
GJP	9-12-05

## X-ON Electronics

Largest Supplier of Electrical and Electronic Components

*Click to view similar products for [knowles manufacturer](#):*

Other Similar products are found below :

[SR-31843-000](#) [BK-28562-000](#) [ED-26821-000](#) [SPH1611LR5H-1](#) [FG-23453-C05](#) [KAS-700-0145](#) [UL-0603-KITSET34-AB](#) [AUTO-AECQ-HV-KIT45](#) [8131M5000274MXC42](#) [KAS-700-0152](#) [KAS-700-0151](#) [SR-32453-000](#) [2900-253091](#) [EH-27479-000](#) [FED-30048-I04](#)  
[SBSGC5000102MXB](#) [FG-23329-C05](#) [5100-253444](#) [KAS-700-0148](#) [KAS-700-0150](#) [BK-21613-000](#) [BF-3163-000](#) [GU-32829-000](#) [2800-253325](#) [1812Y1K00103KST](#) [FED-30027-I24](#) [VFG-30747-000](#) [KAS-700-0137](#) [5100-253441](#) [FED-27926-I04](#) [BF-3034-000](#)  
[1812Y2K00472KXT](#) [WBFK-30000-000](#) [SBSMC0500474MXB](#) [KAS-700-0146](#) [CI-30050-000](#) [TO38-30702-B20](#) [BK-21610-000](#) [FB-FO-23225-000](#) [EH-27233-000](#) [EK-23024-000](#) [BK-26824-000](#) [EM-24446-C36](#) [KAS-33100-0004](#) [SPH0642HT5H-1](#) [EC-27817-000](#) [ED-27305-000](#) [GV-32830-000](#) [2800-253788](#) [WP-23502-P16](#)