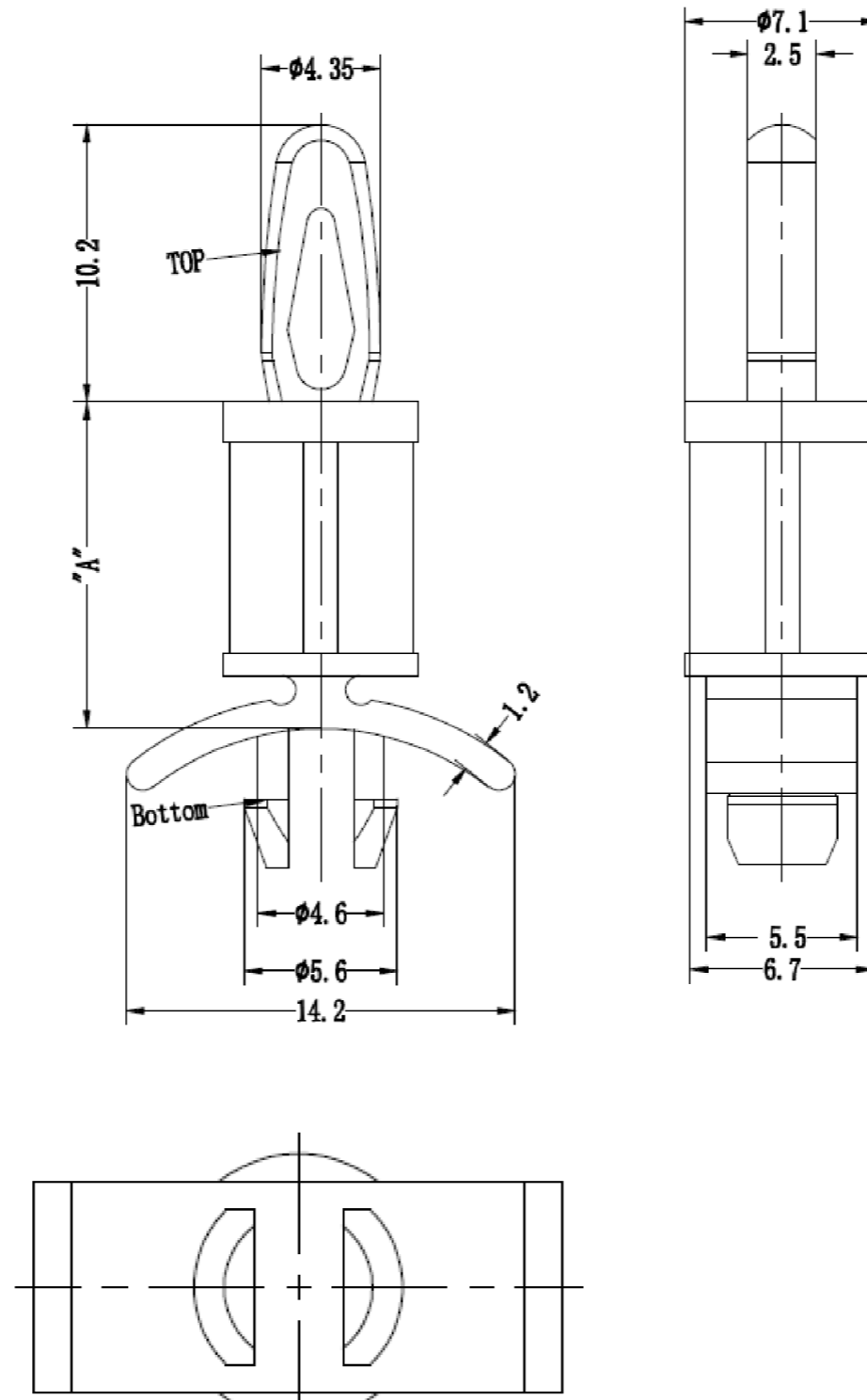


DEBUR AND BREAK SHARP EDGES

DO NOT SCALE DRAWING

REVISION



TRLCBS-3-01	4.8
TRLCBS-4-01	6.4
TRLCBS-5-01	7.9
TRLCBS-6-01	9.5
TRLCBS-7-01	11.1
TRLCBS-8-01	12.7
TRLCBS-10-01	15.9
TRLCBS-12-01	19.1
TRLCBS-14-01	22.2
TRLCBS-16-01	25.4
TRLCBS-18-01	28.6
TRLCBS-20-01	31.7
TRLCBS-22-01	34.9

B Pt.No.TABLE ADDED  
M.E. 29/07/14  
A DRAWN - 01/07/14

NOTES

1. MATERIAL: NYLON 66 UL-94V2;
2. COLOR: NATURAL;
3. ROHS Compliant;
4. TOP Hole:  $\varnothing 4.0 \pm 0.08\text{mm}$   
Panel Thickness: 1.57mm.
5. Bottom Hole:  $\varnothing 4.75 \pm 0.08\text{mm}$   
Panel Thickness: 0.79-1.98mm.



DESIGN RIGHT. TR FASTENINGS LTD, 2003  
UNDER NO CIRCUMSTANCES MUST THIS  
DRAWING BE COPIED OR DISCLOSED,  
WITHOUT FIRST OBTAINING WRITTEN  
AUTHORITY.

UNLESS OTHERWISE SPECIFIED:  
DIMENSIONS ARE IN MILLIMETERS  
SURFACE FINISH:  
TOLERANCES:

ISO 2768 m	NAME	DATE
	DRAWN MARTIN ELLIOTT	01/07/14
	CHK'D	
	APPV'D	

CUSTOMER PART No

MATERIAL:

SEE NOTES

HEAT TREATMENT

N/A

FINISH:

N/A

TITLE:

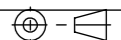
LOCKING CIRCUIT  
BOARD SUPPORT

DWG NO.

TRLCBS-X-01

A3

PROJECTION



SHEET 1 OF 1

## X-ON Electronics

Largest Supplier of Electrical and Electronic Components

*Click to view similar products for [tr fastenings manufacturer](#):*

Other Similar products are found below :

[3.030PRST30TC1D](#) [5.020PRST30TC1D](#) [5.020FLST30TC1D](#) [M840 KHHTMCS50-](#) [M6-UHBRHESF](#) [M660 SOHTCSS100-](#) [M620 SOHTCSS100-](#) [M612 KHHTMCZ50-](#) [M620 KHA2MCS50-](#) [M540 PSSTMCZ100-](#) [M525 SOHTCSZ100-](#) [M520 PSSTMCZ100-](#) [M510 KHHTMCZ50-](#) [M4- FABRWAN100-](#) [M416 SOHTCSS100-](#) [M440 SOA2CSS50-](#) [M430 SOHTCSZ100-](#) [M3-UHBRFLSF](#) [M1025 SOHTCSZ50-](#) [TRRLCBSR-7-01](#) [M412PSSTM CB100-](#) [M6 40 HH88BL Z100](#) [M6 16 M4A2MC S50 BUT T30](#) [H0.250 25 M4STPB SF T25](#) [H0.250 M7STPB SF HEX 4.0](#) [W/M8/REDE/OE/ST/KG](#) [W/M6/REDE/OE/ST/PG](#) [W/M5/FLG/CE/ST/KG](#) [N61.250 PRA2ABS100-](#) [M8 8 HSHTKC SF -](#) [N81.250 PRA2ABS100-](#) [TRFAKIT0009](#) [M830 SOHTCSS100-](#) [M820 SOHTCSS100-](#) [M6- N5A4-S50-](#) [M680 SOHTCSS100-](#) [M625 HHHTSCZ100-](#) [M616 BHA2MCS100-](#) [M610 HHHTSCZ100-](#) [M6- DNST-Z100-](#) [M620 PRSTM CB100-](#) [M550 PSSTMCZ100-](#) [M516 PRA2MCS100-](#) [M550 PSA2MCS50-](#) [M530 SOHTCSZ100-](#) [M4- DNST-Z100-](#) [M425 PSSTMCZ100-](#) [M410 KHHTMCZ50-](#) [M430 SOHTCSS100-](#) [M3- SQST-Z100BS4183](#)