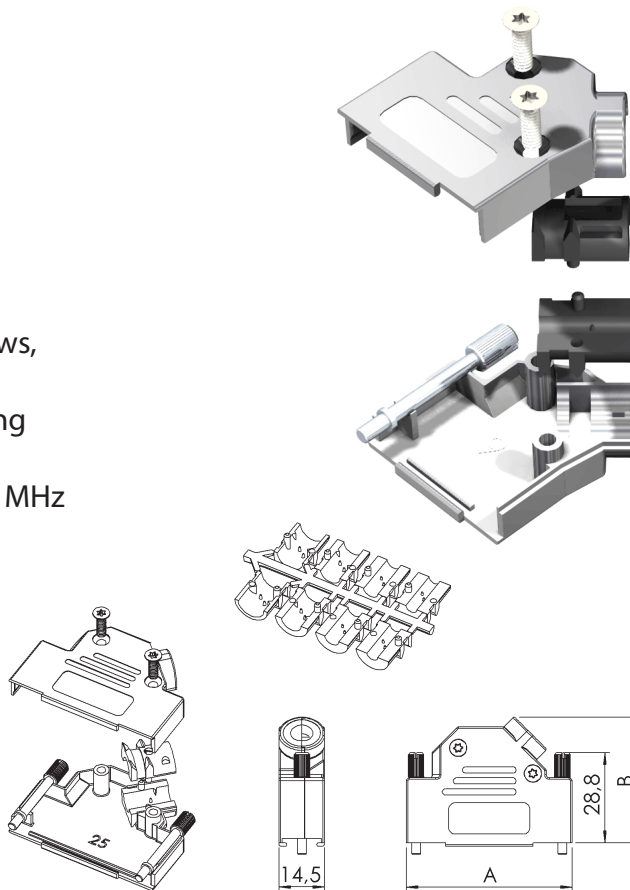


Shielded D-Sub Backshells DVNMK Series

TECHNICAL SPECIFICATIONS

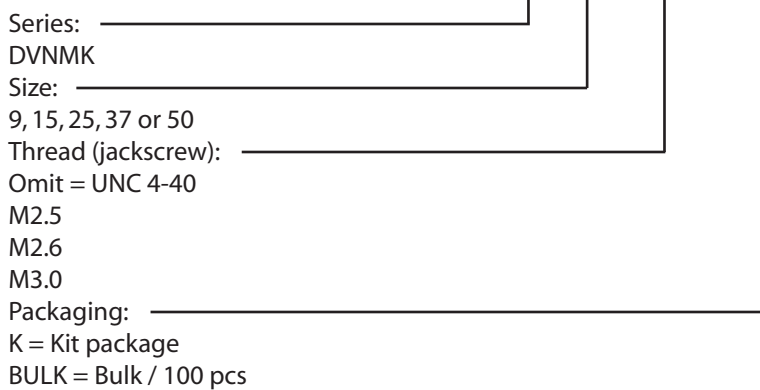
| | |
|----------------------|--------------------------------------|
| Material: | Zinc, Ni-plated non-magnetic |
| Temp. range: | -40°C - 120°C |
| Cable strain relief: | Polycarbonate PC UL94 V-0 |
| Cable diameter: | 3.0 - 13.0 mm |
| Locking screws: | Solid metal jackscrews, non-magnetic |
| Assembly screws: | Taptite threadforming |
| Cable outlet: | Angled |
| Attenuation factor: | > 40 dB between 30 MHz and 1 GHz |



| TYPE | A | B |
|---------|------|------|
| DVNMK9 | 31 | 36,2 |
| DVNMK15 | 39,5 | 40,2 |
| DVNMK25 | 53,2 | 40,2 |
| DVNMK37 | 69,7 | 40,2 |
| DVNMK50 | 67,2 | 43,7 |

PART NUMBERING SYSTEM

DVNMK15 - - BULK



FEATURES

- Available in sizes 9, 15, 25, 37 and 50
- Manufactured from non-magnetic materials
- Minimise interference from electromagnetic and RF sources
- Non-static parts avoid ESD problems
- Accept round foil and braided cable types
- Approved according VDE 0871, FCC 20780 and 89/336/EU
- Printed logotype available upon request
- Long jackscrews with UNC 4-40 thread as standard, M2.5, M2.6 or M3.0 as option

X-ON Electronics

Largest Supplier of Electrical and Electronic Components

Click to view similar products for [ossi manufacturer](#):

Other Similar products are found below :

[D-JSS-45](#) [KK1A-8-SUB-D15](#) [KK1A-16-SUB-D15](#) [D-JSS-45-M3.0](#) [SIG-S](#) [DVZK25-BULK/50](#) [DTZK25-BULK/50](#) [SLCLIP-9-KIT](#)
[DVZK37-K](#) [DVZK9-BULK/50](#) [DJF-14-K](#) [DAPK-25-JSS-K](#) [DTNMK9-K](#) [SLCLIP-25-KIT](#) [DJF-8-3-4-K](#) [DAPMK-25-JSS-K](#) [D-JSS-NH-45](#)
[DTZK37-K](#) [D-JSS-32-M3.0](#) [D-JSS-NH-32-M3.0](#) [D-JSS-32](#) [DTZK9-K](#)