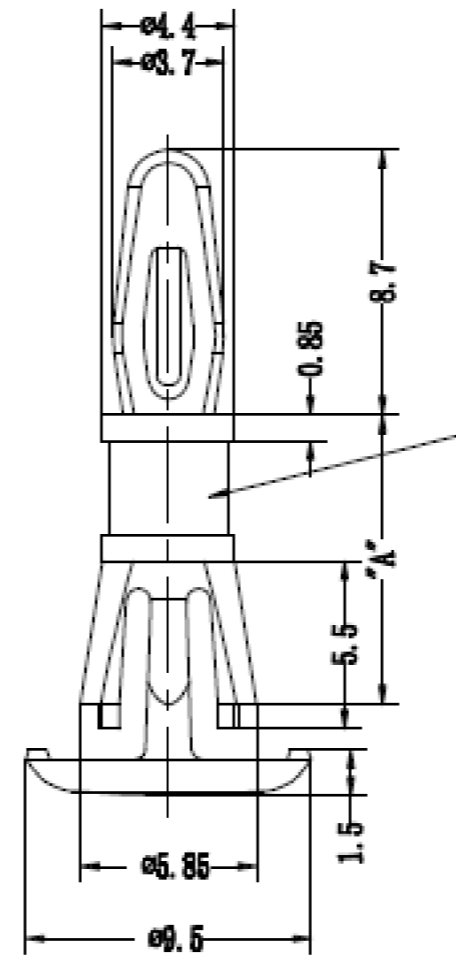
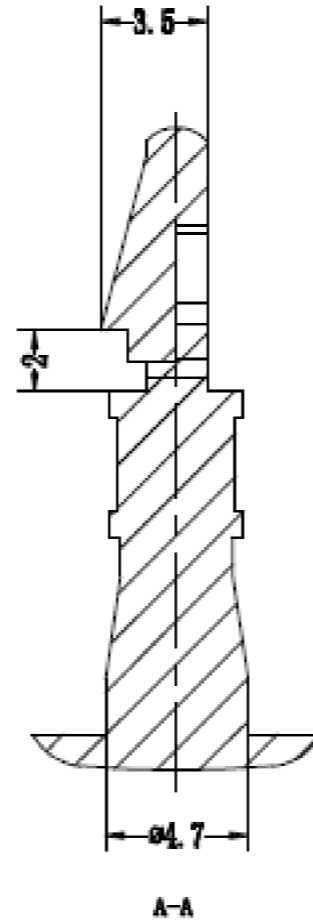
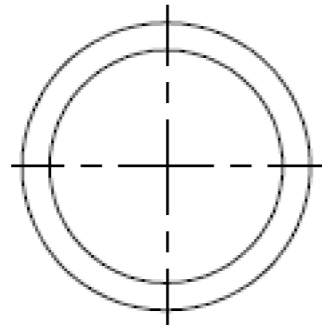
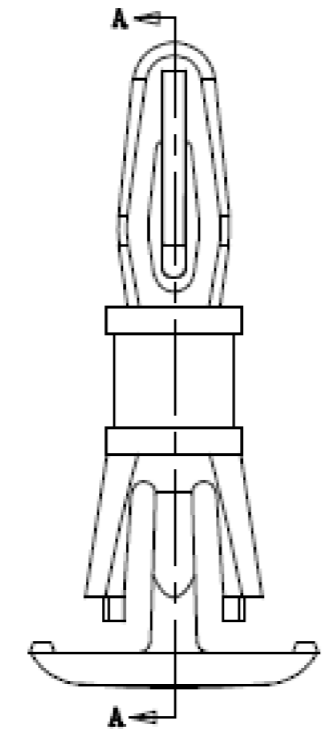
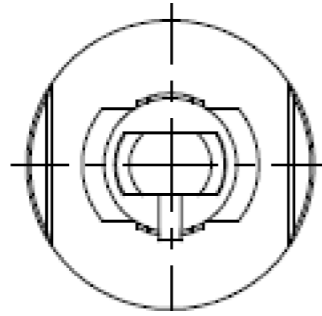


DEBUR AND BREAK SHARP EDGES

DO NOT SCALE DRAWING

REVISION



PART No.	"A"
TRRLCBSR-4-01	6.4
TRRLCBSR-5-01	7.9
TRRLCBSR-6-01	9.5
TRRLCBSR-7-01	11.1
TRRLCBSR-8-01	12.7
TRRLCBSR-9-01	14.3
TRRLCBSR-10-01	15.9

C 2 Pt.NO'S ADDED
M.E. 29/07/14
B DRG No CHANGED
M.E. 19/06/14
A DRAWN 01/11/13

NOTES

1. MATERIAL: Nylon66 UL94V-2;
2. COLOR: NATURAL;
3. ROHS Compliant;
4. Top Hole Dia: $3.2 \pm 0.05\text{mm}$,
Panel Thickness: 1.6mm;
5. Bottom Hole: $\varnothing 4.8 \pm 0.05\text{mm}$,
Panel Thickness: 1.6mm;



DESIGN RIGHT. TR FASTENINGS LTD, 2003
UNDER NO CIRCUMSTANCES MUST THIS
DRAWING BE COPIED OR DISCLOSED,
WITHOUT FIRST OBTAINING WRITTEN
AUTHORITY.

UNLESS OTHERWISE SPECIFIED:
DIMENSIONS ARE IN MILLIMETERS
SURFACE FINISH:
TOLERANCES:

NAME	DATE
DRAWN: MARTIN ELLIOTT	01/11/13
CHK'D	
APP'VD	

CUSTOMER PART No

MATERIAL:

SEE NOTES

HEAT TREATMENT

N/A

FINISH:

N/A

TITLE:

REVERSE LOCKING CIRCUIT
BOARD SUPPORT

DWG NO.

TRRLCBSR-X-01

A3

X-ON Electronics

Largest Supplier of Electrical and Electronic Components

Click to view similar products for [tr fastenings manufacturer](#):

Other Similar products are found below :

[3.030PRST30TC1D](#) [5.020PRST30TC1D](#) [5.020FLST30TC1D](#) [M840 KHHTMCS50-](#) [M6-UHBRHESF](#) [M660 SOHTCSS100-](#) [M620 SOHTCSS100-](#) [M612 KHHTMCZ50-](#) [M620 KHA2MCS50-](#) [M540 PSSTMCZ100-](#) [M525 SOHTCSZ100-](#) [M520 PSSTMCZ100-](#) [M510 KHHTMCZ50-](#) [M4- FABRWAN100-](#) [M416 SOHTCSS100-](#) [M440 SOA2CSS50-](#) [M430 SOHTCSZ100-](#) [M3-UHBRFLSF](#) [M1025 SOHTCSZ50-](#) [TRRLCBSR-7-01](#) [M412PSSTM CB100-](#) [M6 40 HH88BL Z100](#) [M6 16 M4A2MC S50 BUT T30](#) [H0.250 25 M4STPB SF T25](#) [H0.250 M7STPB SF HEX 4.0](#) [W/M8/REDE/OE/ST/KG](#) [W/M6/REDE/OE/ST/PG](#) [W/M5/FLG/CE/ST/KG](#) [N61.250 PRA2ABS100-](#) [M8 8 HSHTKC SF -](#) [N81.250 PRA2ABS100-](#) [TRFAKIT0009](#) [M830 SOHTCSS100-](#) [M820 SOHTCSS100-](#) [M6- N5A4-S50-](#) [M680 SOHTCSS100-](#) [M625 HHHTSCZ100-](#) [M616 BHA2MCS100-](#) [M610 HHHTSCZ100-](#) [M6- DNST-Z100-](#) [M620 PRSTM CB100-](#) [M550 PSSTMCZ100-](#) [M516 PRA2MCS100-](#) [M550 PSA2MCS50-](#) [M530 SOHTCSZ100-](#) [M4- DNST-Z100-](#) [M425 PSSTMCZ100-](#) [M410 KHHTMCZ50-](#) [M430 SOHTCSS100-](#) [M3- SQST-Z100BS4183](#)