

# Customer Information Sheet

DRAWING No.: G125-FS1XX05L0X

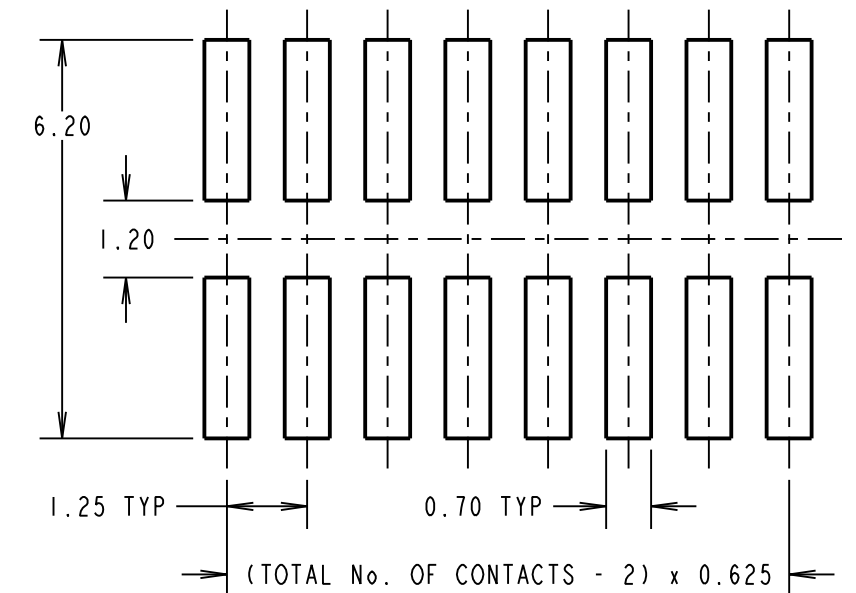
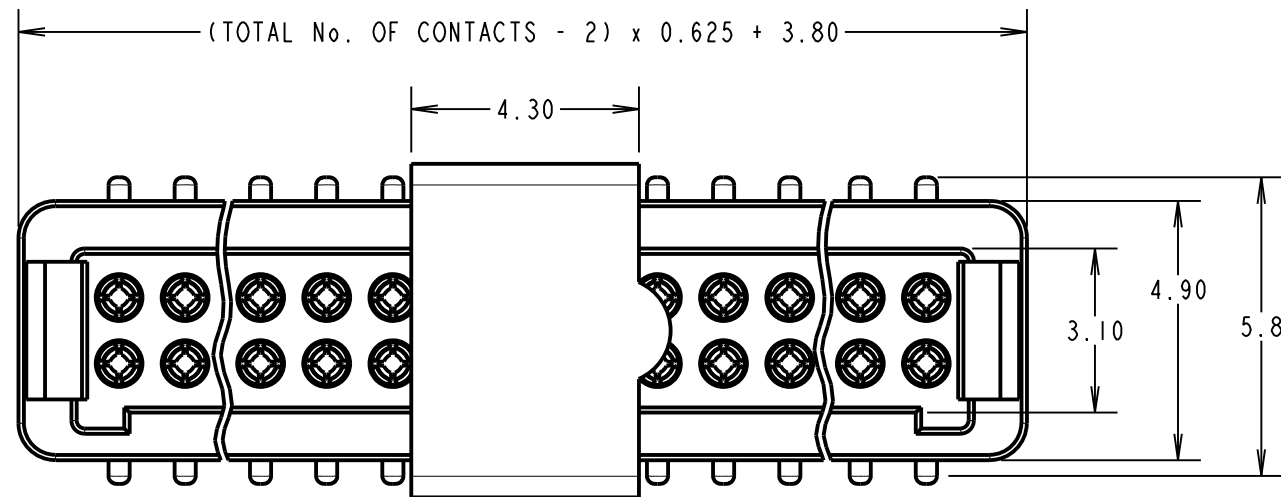
IF IN DOUBT - ASK

©

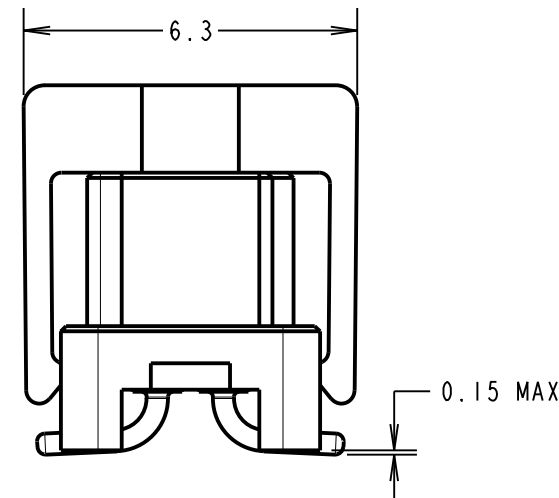
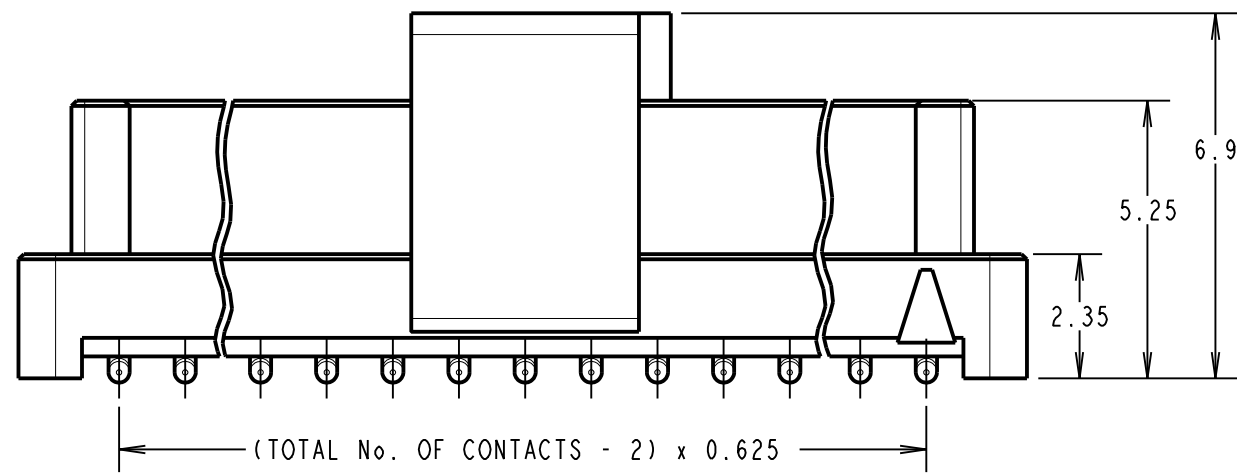
NOT TO SCALE

THIRD ANGLE PROJECTION

ALL DIMENSIONS IN mm



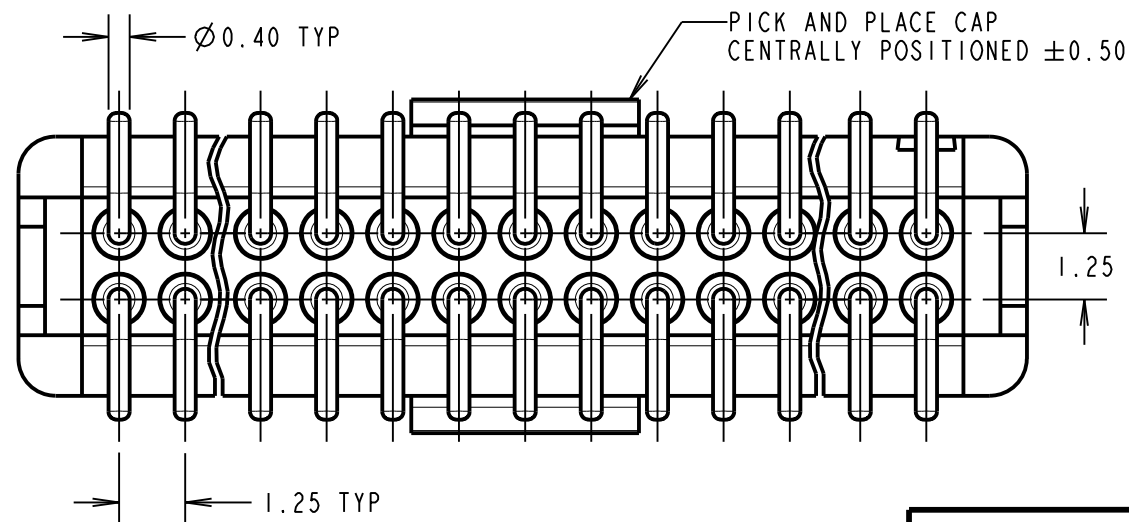
RECOMMENDED PCB LAYOUT



ORDER CODE: **G125-FS1XX05L0X**

TOTAL No. OF CONTACTS: \_\_\_\_\_  
06, 10, 12, 16, 20, 26, 34, 50

PACK TYPE: \_\_\_\_\_  
R = 400PCS IN TAPE AND REEL  
P = EACH (CUT TAPE LENGTHS)



CONNECTOR DETAILS AND PCB LAYOUT ONLY  
SEE SHEET 3 FOR TAPE AND REEL DETAILS

- NOTES:
- FOR COMPLETE SPECIFICATION, SEE COMPONENT SPECIFICATION C125XX (LATEST ISSUE).
  - SEE SHEET 3 FOR TAPE & REEL DETAILS OF THIS PRODUCT.
  - CO-PLANARITY OF SMT TAILS NOT TO EXCEED 0.10mm.

SF	1	22.11.13	12281
NAME	ISS.	DATE	C/NOTE
APPROVED:		S.FLOWER	
CHECKED:		S.BENNETT	
DRAWN:		S.FLOWER	
CUSTOMER REF.:			
ASSEMBLY DRG:			

**HARWIN**

www.harwin.com  
technical@harwin.com

THIS DRAWING AND ANY INFORMATION OR DESCRIPTIVE MATTER SET OUT HEREON ARE CONFIDENTIAL AND COPYRIGHT PROPERTY OF THE HARWIN GROUP AND MUST NOT BE DISCLOSED, LOANED, COPIED OR USED FOR MANUFACTURING, TENDERING OR FOR ANY OTHER PURPOSE WITHOUT THEIR WRITTEN PERMISSION.

TOLERANCES  
X. = ±1mm  
X.X = ±0.25mm  
X.XX = ±0.10mm  
X.XXX = ±0.01mm  
ANGLES = ±5°  
UNLESS STATED

MATERIAL:  
SEE SHEET 4  
FINISH:  
S/AREA: mm<sup>2</sup>

TITLE:  
1.25mm GECKO FEMALE VERTICAL  
SMT CONNECTORS IN TAPE & REEL  
DRAWING NUMBER:  
**G125-FS1XX05L0X**  
SHT  
2 OF 4

# Customer Information Sheet

DRAWING No.: G125-FS1XX05L0X

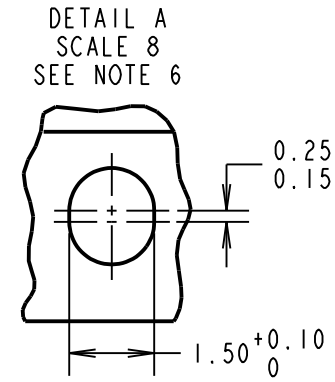
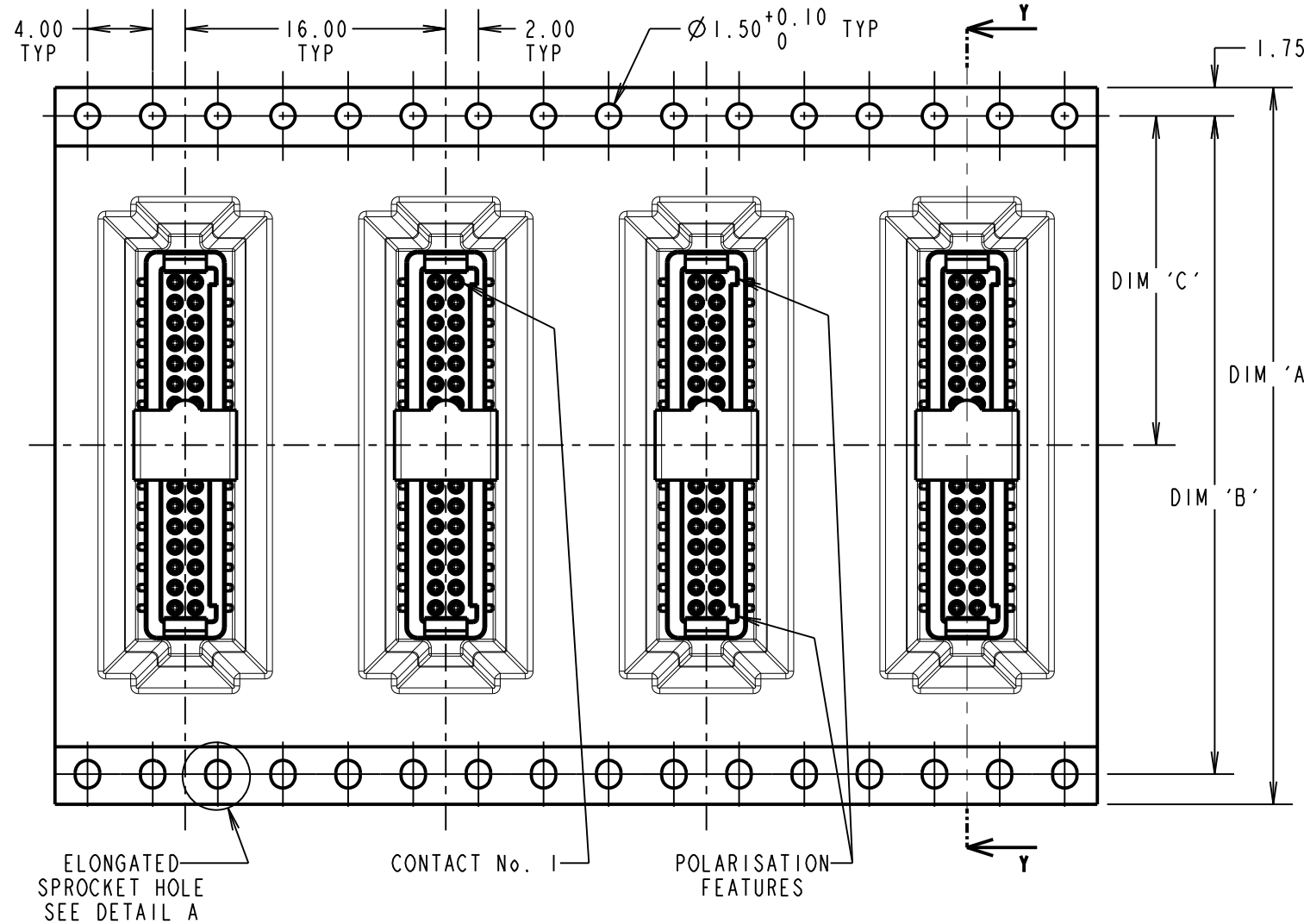
IF IN DOUBT - ASK

©

NOT TO SCALE

THIRD ANGLE PROJECTION

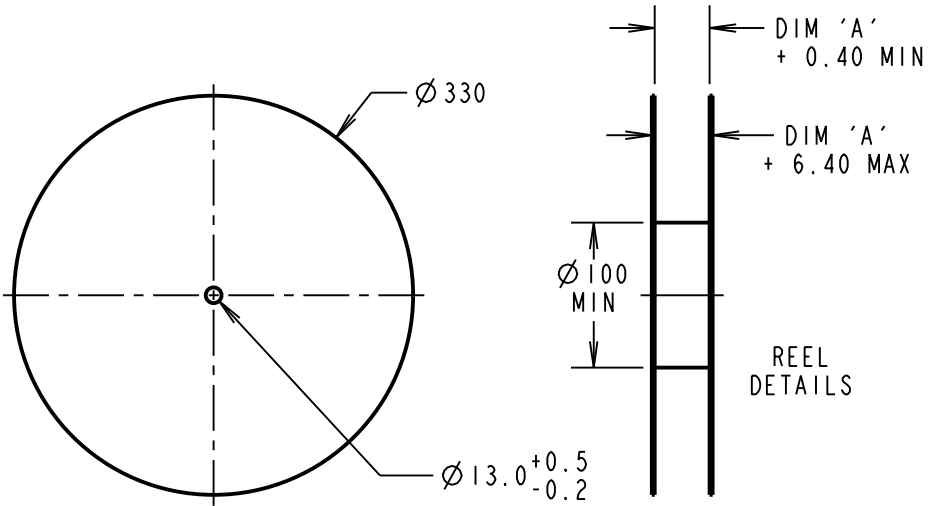
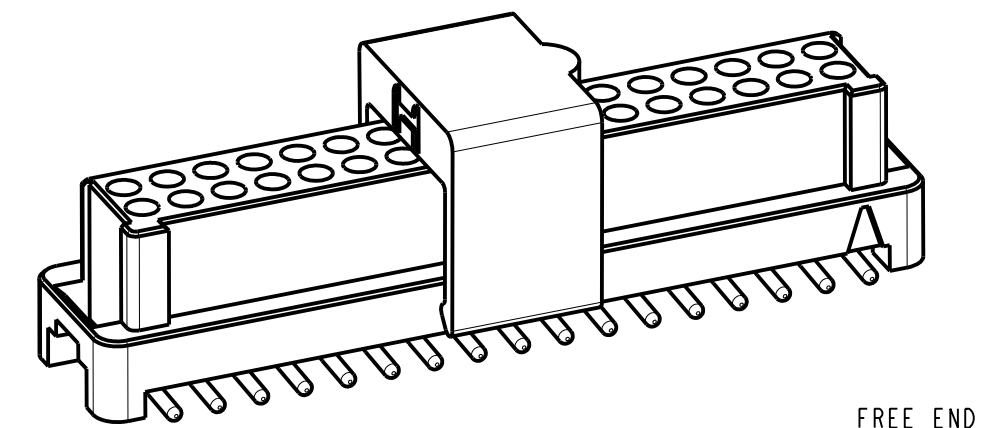
ALL DIMENSIONS IN mm



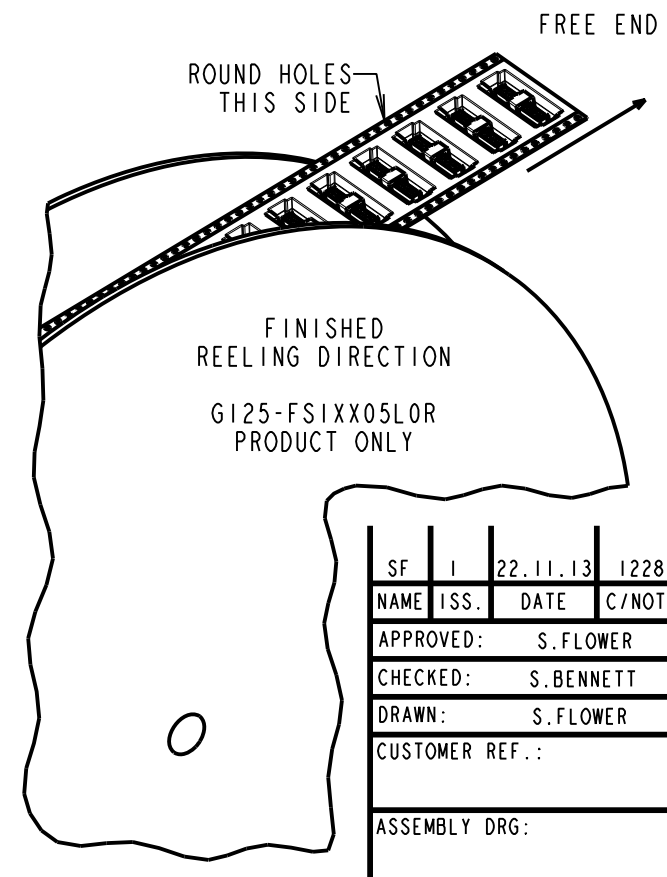
ORDER CODE: **G125-FS1XX05L0X**

TOTAL No. OF CONTACTS: 06, 10, 12, 16, 20, 26, 34, 50

PACK TYPE:  
 R = 400PCS IN TAPE AND REEL  
 P = EACH (CUT TAPE LENGTHS)



REELED PART No.	LOOSE PART No.	DIM 'A'	DIM 'B'	DIM 'C'	DIM 'D'
G125-FVX0605L0R	G125-FVX0605L0P	24.0±0.3	NO ELONGATED HOLE	11.50	(8.6)
G125-FVX1005L0R	G125-FVX1005L0P				(11.1)
G125-FVX1205L0R	G125-FVX1205L0P	32.0±0.3	28.40	14.20	(12.4)
G125-FVX1605L0R	G125-FVX1605L0P				(14.9)
G125-FVX2005L0R	G125-FVX2005L0P	44.0±0.3	40.40	20.2±0.15	(17.4)
G125-FVX2605L0R	G125-FVX2605L0P				(21.1)
G125-FVX3405L0R	G125-FVX3405L0P				(26.1)
G125-FVX5005L0R	G125-FVX5005L0P	56.0±0.3	52.40	26.2±0.15	(36.1)



- NOTES:
- FOR "R" QUANTITY OF COMPONENTS PER REEL = 250.
  - FOR "P" QUANTITIES ARE EACH AND CUT FROM G125-FVX3405L0R.
  - THIS PRODUCT IS TAPED AND REELED IN ACCORDANCE WITH EIA-481-2-A (ELECTRONIC INDUSTRIES ASSOCIATION).
  - FOR COMPLETE SPECIFICATION, SEE COMPONENT SPECIFICATION C125XX (LATEST ISSUE).
  - COMPONENTS ARE ORIENTATED IN TAPE POCKETS SO THAT THE POLARISING FEATURES ARE FACING TOWARDS THE FREE END.
  - ELONGATED SPROCKET HOLE NOT PRESENT ON 06 & 10 POSITIONS.

<p>www.harwin.com technical@harwin.com</p>	<p>THIS DRAWING AND ANY INFORMATION OR DESCRIPTIVE MATTER SET OUT HEREON ARE CONFIDENTIAL AND COPYRIGHT PROPERTY OF THE HARWIN GROUP AND MUST NOT BE DISCLOSED, LOANED, COPIED OR USED FOR MANUFACTURING, TENDERING OR FOR ANY OTHER PURPOSE WITHOUT THEIR WRITTEN PERMISSION.</p>	<p>TOLERANCES</p> <p>X. = ±1mm                  X.X = ±0.25mm                  X.XX = ±0.10mm                  X.XXX = ±0.01mm</p> <p>ANGLES = ±5°                  UNLESS STATED</p>	<p>MATERIAL:</p> <p>SEE SHEET 4</p>	<p>TITLE:</p> <p>1.25mm GECKO FEMALE VERTICAL SMT CONNECTORS IN TAPE &amp; REEL</p>
		<p>FINISH:</p> <p>S/AREA: mm<sup>2</sup></p>	<p>DRAWING NUMBER:</p> <p><b>G125-FS1XX05L0X</b></p>	<p>SHT 3 OF 4</p>

SF	1	22.11.13	12281
NAME	ISS.	DATE	C/NOTE
APPROVED:		S.FLOWER	
CHECKED:		S.BENNETT	
DRAWN:		S.FLOWER	
CUSTOMER REF.:			
ASSEMBLY DRG:			

# Customer Information Sheet

DRAWING No.: G125-SERIES COMPONENT SPECIFICATION    IF IN DOUBT - ASK    (C)    NOT TO SCALE    THIRD ANGLE PROJECTION    ALL DIMENSIONS IN mm

**SPECIFICATIONS:**

- \* EIA-364-01A : 2000: ACCELERATION: 490 mm/s<sup>2</sup> (50G)
- \* BUMP SEVERITY: 390 mm/s<sup>2</sup> (40G), 4000± 10 BUMPS
- \* TESTED WITH LATCHED CONNECTORS

**MATERIALS:**  
 MOULDING, PICK & PLACE CAP:  
 POLYAMIDE, PA4T-GF30 FR(40) UL94V-0,  
 HALOGEN FREE, FREE OF RED PHOSPHORUS

**CONTACTS:**  
 MALE PC-TAIL/SMT = PHOSPHOR BRONZE  
 MALE CRIMP = BRASS  
 ALL FEMALE CONTACTS = COPPER ALLOY

**LATCHES:**  
 COPPER NICKEL TIN ALLOY

**BACK POTTING COMPOUND (CABLE ASSEMBLIES ONLY):**  
 STYCAST 2651 MM BACK POTTING WITH CATALYST 9

**FINISH:**  
 ALL CONTACTS:  
 0.2-0.3µ GOLD OVER NICKEL  
 LATCHES:  
 3.0µ 100% TIN OVER NICKEL

**MECHANICAL:**  
 DURABILITY = 1000 OPERATIONS  
 INSERTION FORCE = 2.8N MAX  
 WITHDRAWAL FORCE = 0.2N MIN

**ENVIRONMENTAL:**  
 CLASSIFICATION: 65/150/56 DAYS AT 93% RH

**TEMPERATURE RANGE:**  
 EIA-364-32 : 2000 TEST CONDITION IV, DWELL  
 30mins, 5 CYCLES -65°C TO +150°C

\* EIA-364-28D : 1999: TEST CONDITION IV: VIBRATION SEVERITY:  
 10Hz TO 2000Hz, 1.5MM, 198 mm/s<sup>2</sup> (20G). DURATION 2HR

\* EIA-364-27B : 1996: TEST CONDITION E SHOCK SEVERITY: 981 mm/s<sup>2</sup>  
 (100G) FOR 6ms IN Z AXIS, 490 mm/s<sup>2</sup> (50G) FOR 11ms IN X&Y AXIS.

**ELECTRICAL:**  
 CURRENT RATING:  
 EIA-364-70A : 1998: INDIVIDUAL CONTACT IN ISOLATION AT 25°C = 2.8A MAX  
 EIA-364-70A : 1998: ALL CONTACTS SIMULTANEOUSLY AT 25°C = 2.0A MAX

**CONTACT RESISTANCE:**  
 EIA-364-06C : 2006: INITIAL CONTACT RESISTANCE = 20mΩ MAX  
 EIA-364-06C : 2006: CONTACT RESISTANCE AFTER CONDITIONING = 25mΩ MAX

**WORKING VOLTAGE:**  
 EIA-364-20C : 2004: SEA LEVEL (1006mbar) = 450V AC/DC PEAK  
 EIA-364-20C : 2004: ALTITUDE LEVEL (44mbar) = 250V AC/DC PEAK

**VOLTAGE PROOF AT SEA LEVEL (1013mbar) = 600V AC/DC PEAK**

**INSULATION RESISTANCE:**  
 EIA-364-21C : 2000: INSULATION RESISTANCE (INITIAL) = 10 GΩ MIN AT 500V DC  
 EIA-364-21C : 2000: INSULATION RESISTANCE (AFTER CONDITIONING) = >1 GΩ MIN AT 500V DC

FOR FULL COMPONENT SPECIFICATION SEE C125XX (LATEST ISSUE).



PATENT PENDING - UK 1205109.0

SF	21.11.13	12281
NAME	DATE	C/NOTE
APPROVED:	S.FLOWER	
CHECKED:	S.BENNETT	
DRAWN:	S.FLOWER	

**HARWIN**

www.harwin.com  
 technical@harwin.com

THIS DRAWING AND ANY INFORMATION OR DESCRIPTIVE MATTER SET OUT HEREON ARE CONFIDENTIAL AND COPYRIGHT PROPERTY OF THE HARWIN GROUP AND MUST NOT BE DISCLOSED, LOANED, COPIED OR USED FOR MANUFACTURING, TENDERING OR FOR ANY OTHER PURPOSE WITHOUT THEIR WRITTEN PERMISSION.

**TOLERANCES**  
 X = ±1mm  
 X.X = ±0.25mm  
 X.XX = ±0.10mm  
 X.XXX = ±0.01mm  
 ANGLES = ±5°  
 UNLESS STATED

**MATERIAL:**  
 SEE ABOVE

**FINISH:**  
 SEE ABOVE

**TITLE:**  
 G125 SERIES COMPONENT SPECIFICATION

**DRAWING NUMBER:**  
 G125-SERIES CONNECTORS

SHT  
 4  
 OF  
 4

## X-ON Electronics

Largest Supplier of Electrical and Electronic Components

*Click to view similar products for [Headers & Wire Housings](#) category:*

*Click to view products by [Harwin](#) manufacturer:*

Other Similar products are found below :

[95000-104TRLF](#) [10135584-644402LF](#) [DF62W-EP2022PCA](#) [95000-106TRLF](#) [DF62W-2022SCA](#) [DF62W-EP2022PC](#) [2203348](#) [DF62W-2022SC](#) [1084018](#) [1029039](#) [1084017](#) [802-10-012-10-002000](#) [1112640](#) [1112639](#) [891-007-9SS-BST1T](#) [000-34000](#) [0008550134](#) [0009482033](#) [0009507031](#) [57102-F02-18ULF](#) [57102-S06-03LF](#) [57202-S52-04LF](#) [PCN6-15S-2.5E](#) [0039019024](#) [58102-G61-06LF](#) [582553-1](#) [0009485154](#) [0009508121](#) [0022285053](#) [0050291907](#) [018731A](#) [LY20-4P-DT1-P1E-BR](#) [02.125.8002.8](#) [60101931](#) [60598-1 \(Cut Strip\)](#) [M1625-3R/100](#) [61062-3](#) [61082-181009](#) [CSU011177004](#) [636-1427](#) [638009-1](#) [641938-9](#) [641991-4](#) [644168-1](#) [644827-2](#) [647662-1](#) [65039-019ELF](#) [65692-001LF](#) [65781-018](#) [65781-047](#)