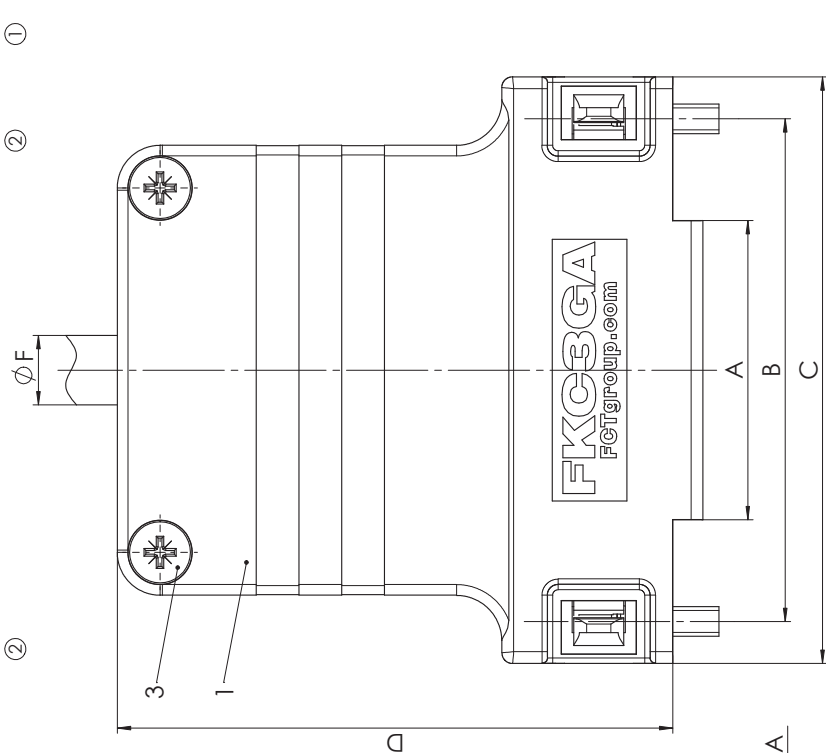
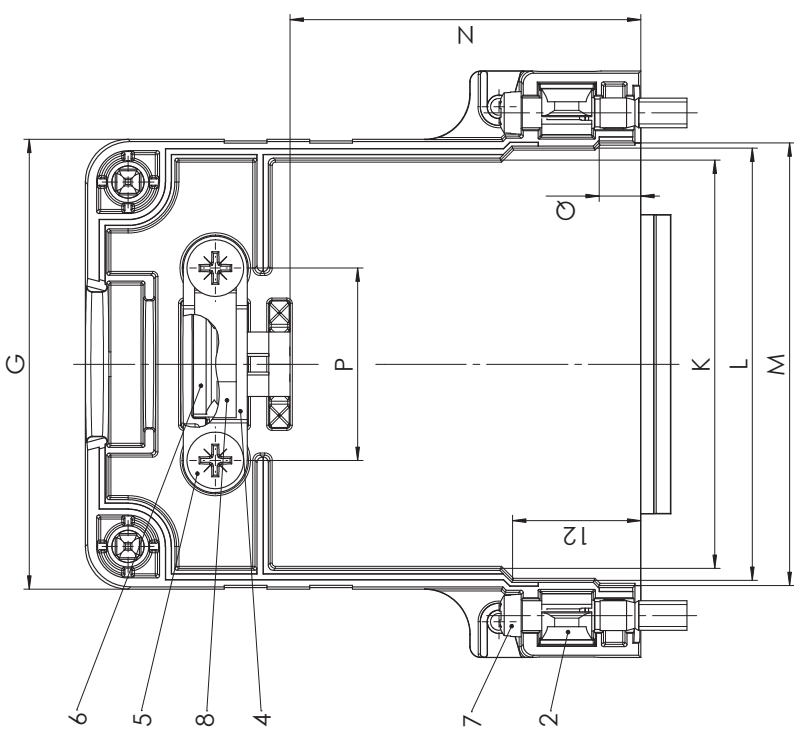


Order-No.	Shell Size / for No. of Contacts	A	B	C	D	E	$\phi F$ min - max	G	H	J	K	L	M	N	P	Q
FKC1GA	1 / 9	10	25	31.8	39.3	16.7	4 - 11	20	41.6	13.2	17	19	20	22.8	14	3.9
FKC2GA	2 / 15	16	33.3	41.2	45	16.2	4 - 11	28.4	47.8	11.6	24.8	26.9	27.9	26.3	18	3.9
FKC3GA	3 / 25	28	47	54.9	52	16.2	4 - 12	42.1	54.8	11.6	38.2	40.5	41.4	32.8	18	3.9
FKC4GA	4 / 37	44.4	63.5	71.4	55	18.9	6 - 13	58.6	57.8	12.1	55	57.2	58.1	38.4	21	3.9
FKC5GA	5 / 50	42	61.1	69	55	19.5	6 - 14	56.2	57.8	15	52.6	54.7	55.7	40.2	21	4.1

view of the hoods without lid



No.	St.	Part	Type Description / Material
8	1	Contact spring	Spring steel
7	2	Locking screw	FV51/5-K1163 4-40 / Steel
6	1	Strain relief	ABS
5	2	Cable clamp screw	Steel
4	1	Cable clamp	Steel
3	2	Shell screw	Steel
2	2	Catch spring	PEI
1	1	Hood	FKC1-5GA / ABS / PC+ABS

No.	St.	Part	Type Description / Material
blank			blank
nickel plated			nickel plated
nickel plated			nickel plated
zinc plated			zinc plated
tin plated			tin plated
zinc plated			zinc plated
black			black
nickel plated			nickel plated
Surface plating/Colour/Class			Surface plating/Colour/Class

RoHS compliant

max. torque are 40 Ncm  
Hood is snapped together  
Part-No. 3, 4, 5, 6 and 8 not mounted

REV.	DWG.NO.	REPLACEMENT FOR:	PAGES
3	FKC1-5GA	FKC1-5GAB, ACAD	1

REV.	DATE	CH-NO.	TITLE
3	25-09-2012	23275	SCALE 2:1
2	02-07-2008	22263	NAME / DATE
1	28-04-2008	22224	DRAWN Gabriele Wagner
			CHECKED Anke Meyer-Richter

COMMENT:  
ALL RIGHTS ARE RESERVED BY US FOR THIS DRAWING. WITHOUT OUR PRIOR CONSENT,  
IT MAY NEITHER BE REPRODUCED NOR MADE AVAILABLE TO A THIRD PARTY.  
AND IT ALSO MAY NOT BE IMPROPERLY USED BY THE RECEIVER, OR A THIRD PARTY.

## X-ON Electronics

Largest Supplier of Electrical and Electronic Components

*Click to view similar products for [fct electronics manufacturer](#):*

Other Similar products are found below :

[F2W2SC-1002](#) [FMK3-K201](#) [FT2W2SC-K121](#) [K761](#) [24P104C24P1-006](#) [SDB15P159S-060](#) [SHD15P15S-012](#) [SHD15P15S-036](#) [FU27W2S7-K121](#) [2761](#) [ICD040GVP163D-03](#) [ICD040GVP163D-25](#) [10056427-1050011LF](#) [155298-002](#) [155286-001](#) [172704-0016](#) [173112-0413](#) [173113-0152](#) [173109-0036](#) [111-0098-994](#) [173107-0568](#) [FM24W7P-K120](#) [FM9W4P-K120](#) [FWDR15S](#) [RB09P09P-006](#) [FLW0915S7](#) [FT2W2PC-K120](#) [25P203C25P2-003](#) [K1003](#) [10112041-2020HLF](#) [173112-0077](#) [173112-0074](#) [173114-0092](#) [10046971-019LF](#) [10093084-2010LF](#) [FWDR09S1](#) [SHD26P26S-012](#) [FWDR15P](#) [74977-101001LF](#) [FM25W3PA-K120](#) [173112-0073](#) [151-2811-010](#) [91910-21169LF](#) [SHD15P15S-060](#) [FKC3GNME](#) [FKT5](#) [CT50-78P7](#) [HM2R89PA8100N9LF](#) [FM27W2SA-K121](#) [73231-1321](#)