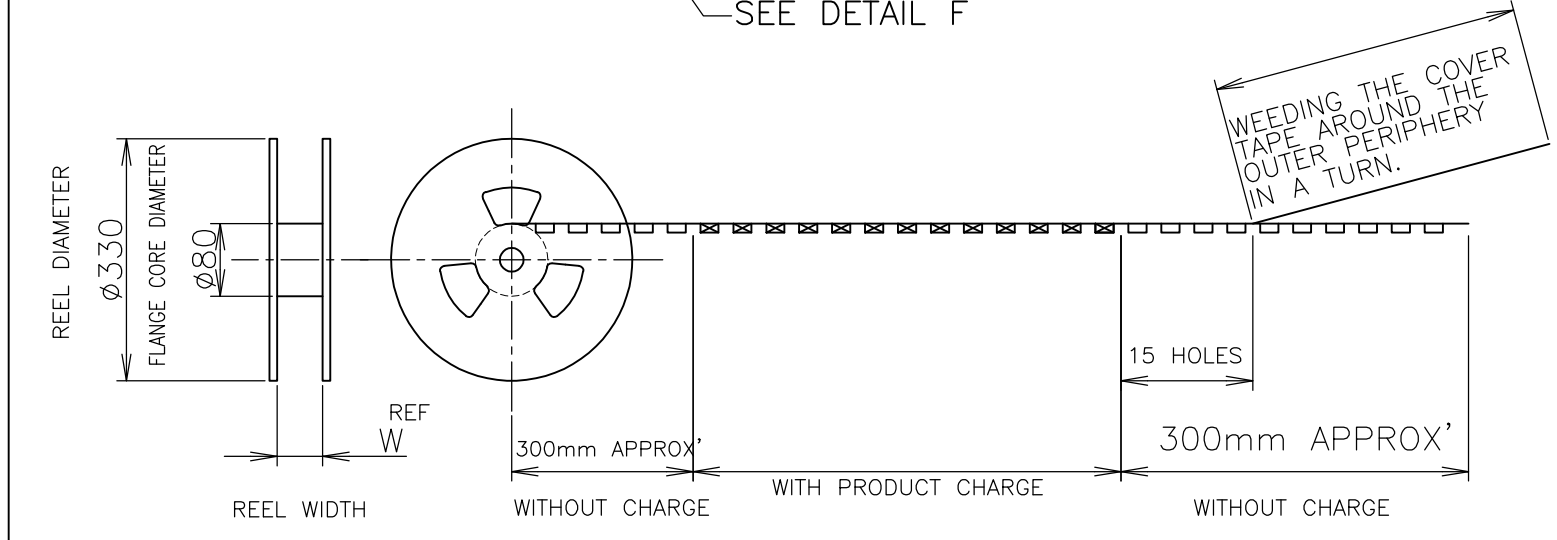
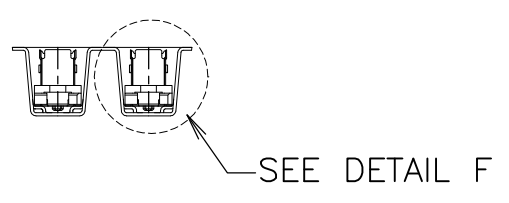
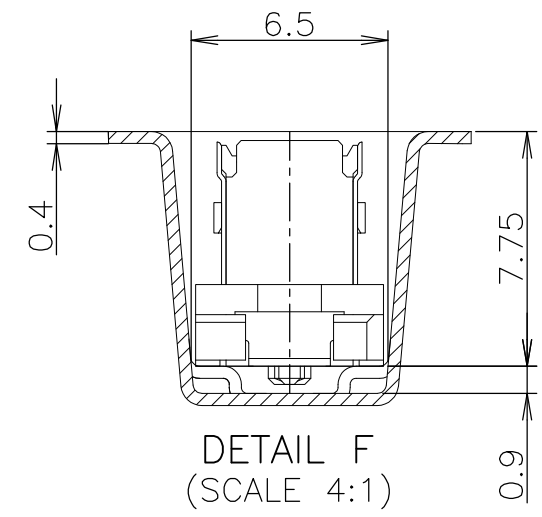
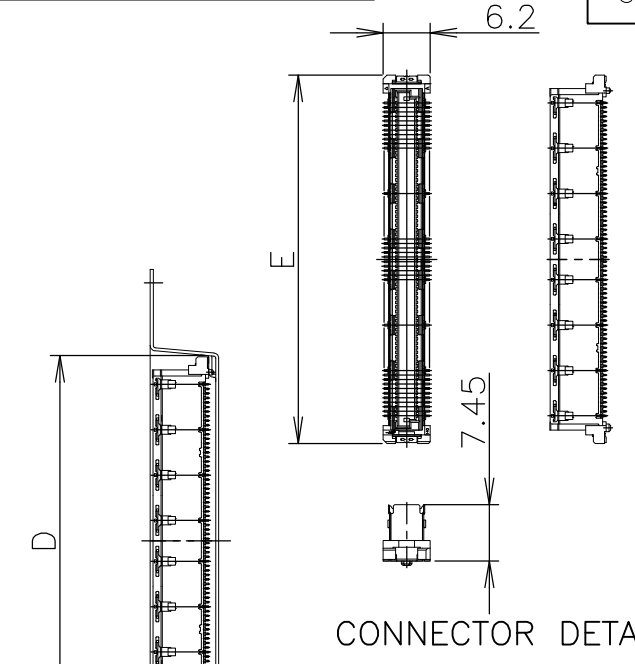
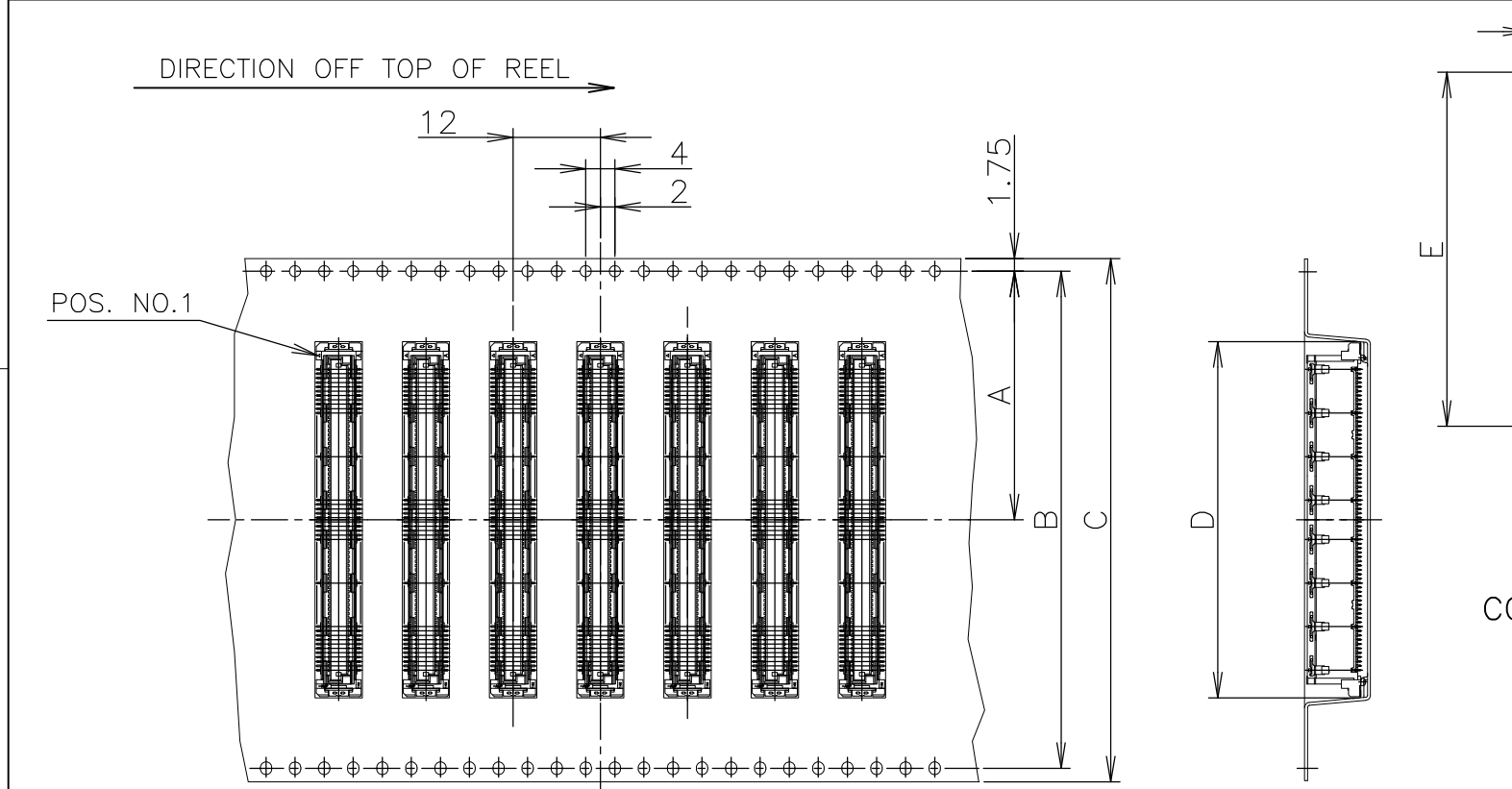


THIS DRAWING IS UNPUBLISHED. RELEASED FOR PUBLICATION JUN , 1996.
 © COPYRIGHT 1996 BY TYCO ELECTRONICS CORPORATION. ALL RIGHTS RESERVED.

LOC	DIST	REVISIONS			DATE	DWN	APVD
J		P	LTR	DESCRIPTION			
		A	REVISED	ECR-08-000339	01FEB08	T.T	T.F



SEALANT	TOOLING STATUS	QTY.	W	E	D	C	B	A	POS.	PART NO.
			AVAILABLE	600	77.5	54.7	55	72	68.4	34.2
NON SEALANT	AVAILABLE	↑	77.5	48.7	49	72	68.4	34.2	140	6-↑-0
	NOT AVAILABLE		61.5	42.7	43	56	52.4	26.2	120	5-↑-9
	↑		61.5	36.7	37	56	52.4	26.2	100	5-↑-8
	↑		61.5	33.7	34	56	52.4	26.2	90	5-↑-7
	↑		49.5	30.7	31	44	40.4	20.2	80	5-↑-6
	↑		49.5	27.7	28	44	40.4	20.2	70	5-↑-5
	↑		49.5	24.7	25	44	40.4	20.2	60	5-↑-4
	↑		37.5	21.7	22	32	28.4	14.2	50	5-↑-3
	↑		37.5	18.7	19	32	28.4	14.2	40	5-↑-2
	NOT AVAILABLE	600	29.5	15.7	16	24	—	11.5	30	5-5353188-1
	↑		77.5	54.7	55	72	68.4	34.2	160	1-5353188-1
	↑		77.5	48.7	49	72	68.4	34.2	140	1-↑-0
↑		61.5	42.7	43	56	52.4	26.2	120	↑-9	
↑		61.5	36.7	37	56	52.4	26.2	100	↑-8	
↑		61.5	33.7	34	56	52.4	26.2	90	↑-7	
↑		49.5	30.7	31	44	40.4	20.2	80	↑-6	
↑		49.5	27.7	28	44	40.4	20.2	70	↑-5	
↑		49.5	24.7	25	44	40.4	20.2	60	↑-4	
↑		37.5	21.7	22	32	28.4	14.2	50	↑-3	
↑		37.5	18.7	19	32	28.4	14.2	40	↑-2	
NOT AVAILABLE	600	29.5	15.7	16	24	—	11.5	30	5353188-1	

4 THIS PRODUCT WAS COATED BY FLUX-PENETRATION -INHIDITING AGENT.

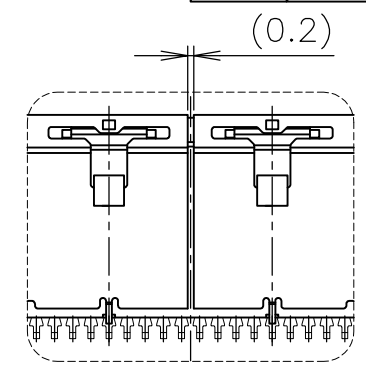
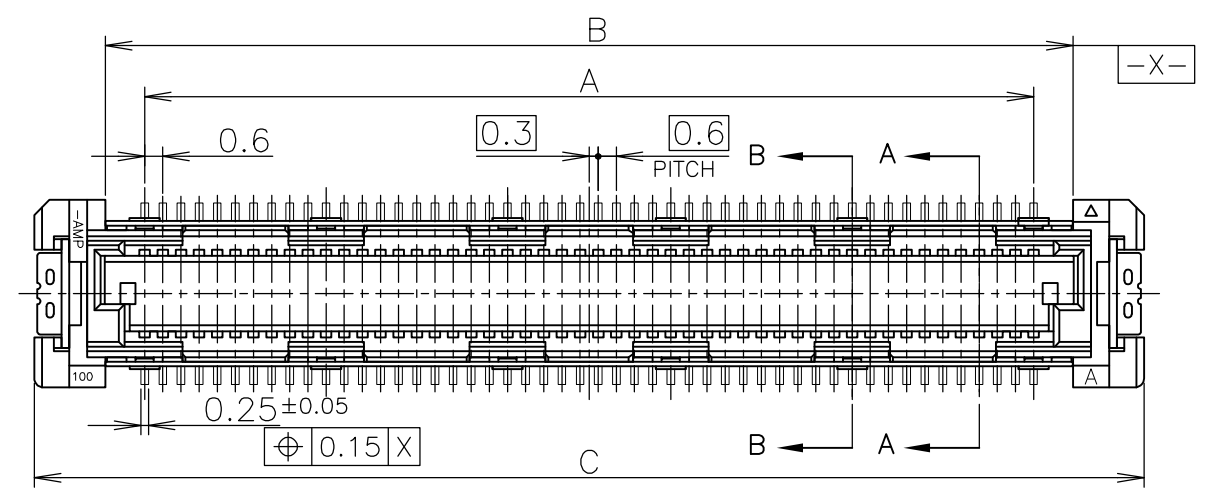
THIS DRAWING IS A CONTROLLED DOCUMENT.

DIMENSIONS: 単位: 耗 mm	TOLERANCES UNLESS OTHERWISE SPECIFIED: 一般公差	DWN HAWKING HE 20DEC04	Tyco Electronics Corporation Kawasaki, Japan
0 PLC ± 0.2	1 PLC ± 0.2	CHK STEVEN YAO 20DEC04	
2 PLC ± 0.2	3 PLC ± 0.2	APVD I.ENOMOTO 20DEC04	NAME 名称
4 PLC ± 0.2	ANGLES ± 5'	PRODUCT SPEC 製品規格	EMBOSS ASSY
MATERIAL 材料	FINISH 仕上	APPLICATION SPEC 取付適用規格	FH 0.6BTB CONNECTOR
		WEIGHT	PLUG 8H WITH G-PLATE
			SIZE A3
			CAGE CODE 00779
			DRAWING NO G-5353188
			RESTRICTED TO
			SCALE 尺度 1:1
			SHEET 1 OF 3
			REV A

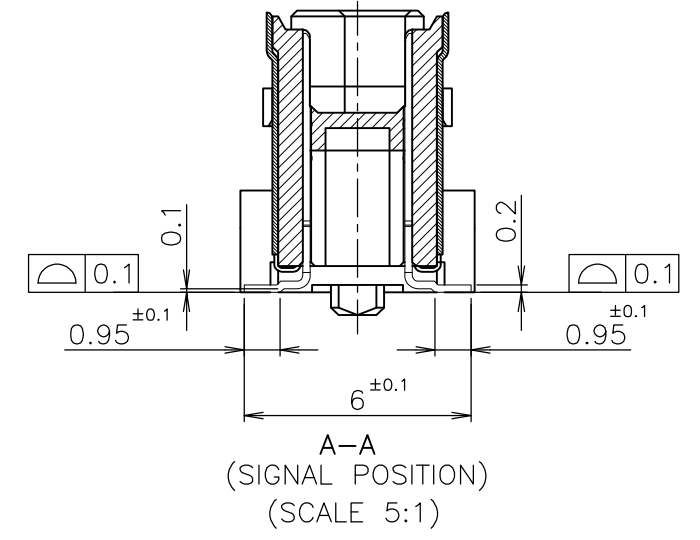
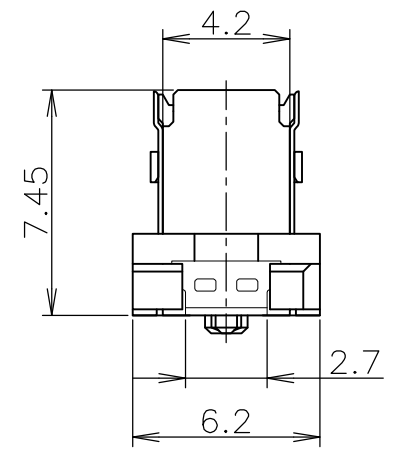
CUSTOMER DRAWING

THIS DRAWING IS UNPUBLISHED. RELEASED FOR PUBLICATION JUN ,1996.
 © COPYRIGHT 1996 BY TYCO ELECTRONICS CORPORATION. ALL RIGHTS RESERVED.

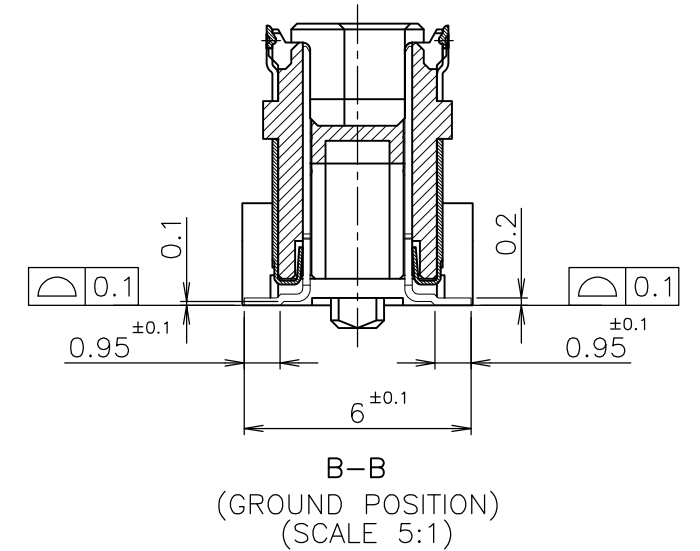
LOC	DIST	REVISIONS			
J		变更	DATE	DWN	APVD
P	LTR	DESCRIPTION			
		SEE SHEET 1	-	-	-



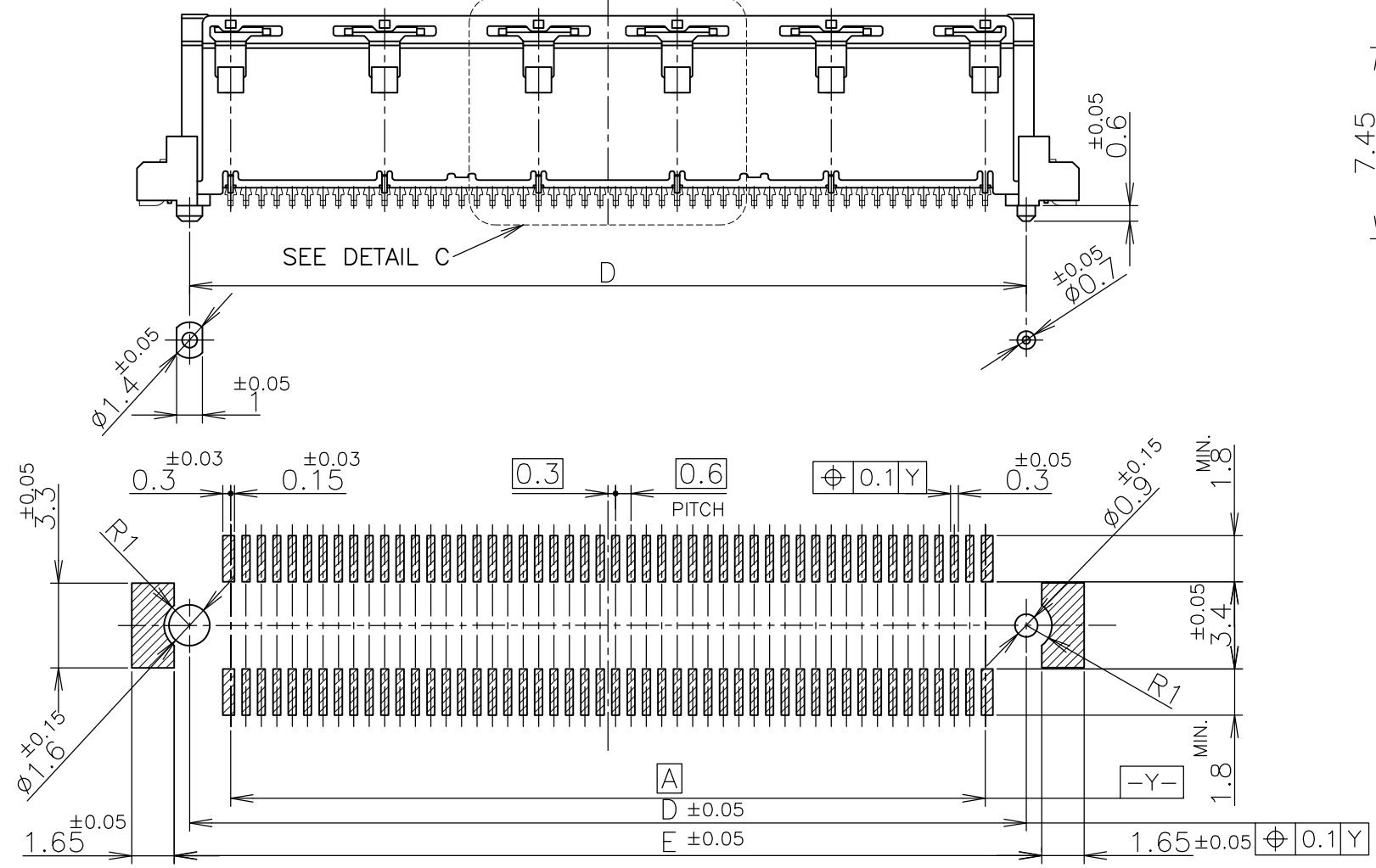
DETAIL C
180P~240P ONLY



A-A
(SIGNAL POSITION)
(SCALE 5:1)



B-B
(GROUND POSITION)
(SCALE 5:1)



AVAILABLE	51.8	50.6	54.7	50	47.4	160
AVAILABLE	45.8	44.6	48.7	44	41.4	140
NOT AVAILABLE	39.8	38.6	42.7	38	35.4	120
	33.8	32.6	36.7	32	29.4	100
	30.8	29.6	33.7	29	26.4	90
	27.8	26.6	30.7	26	23.4	80
	24.8	23.6	27.7	23	20.4	70
	21.8	20.6	24.7	20	17.4	60
	19.8	17.6	21.7	17	14.4	50
	15.8	14.6	18.7	14	11.4	40
NOT AVAILABLE	12.8	11.6	15.7	11	8.4	30
TOOLING STATUS	E	D	C	B	A	POS

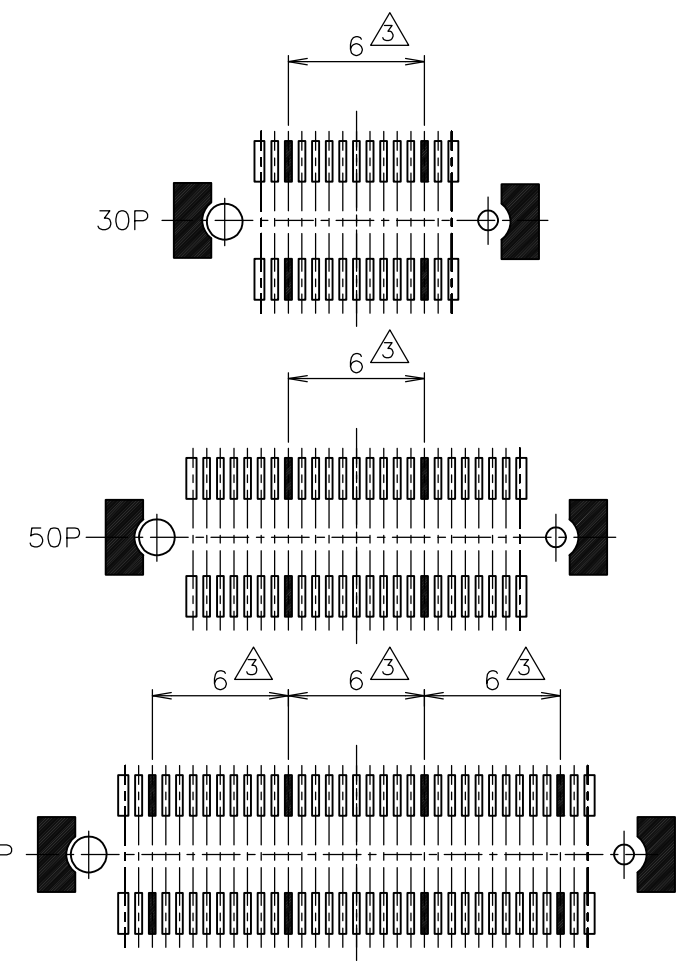
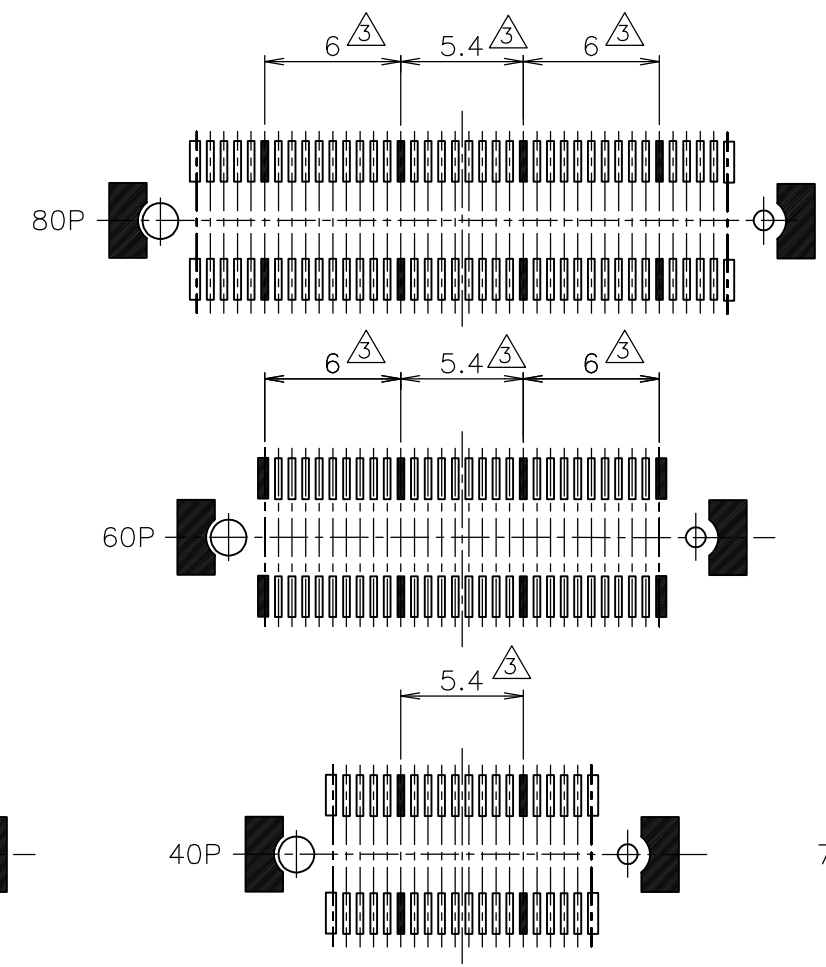
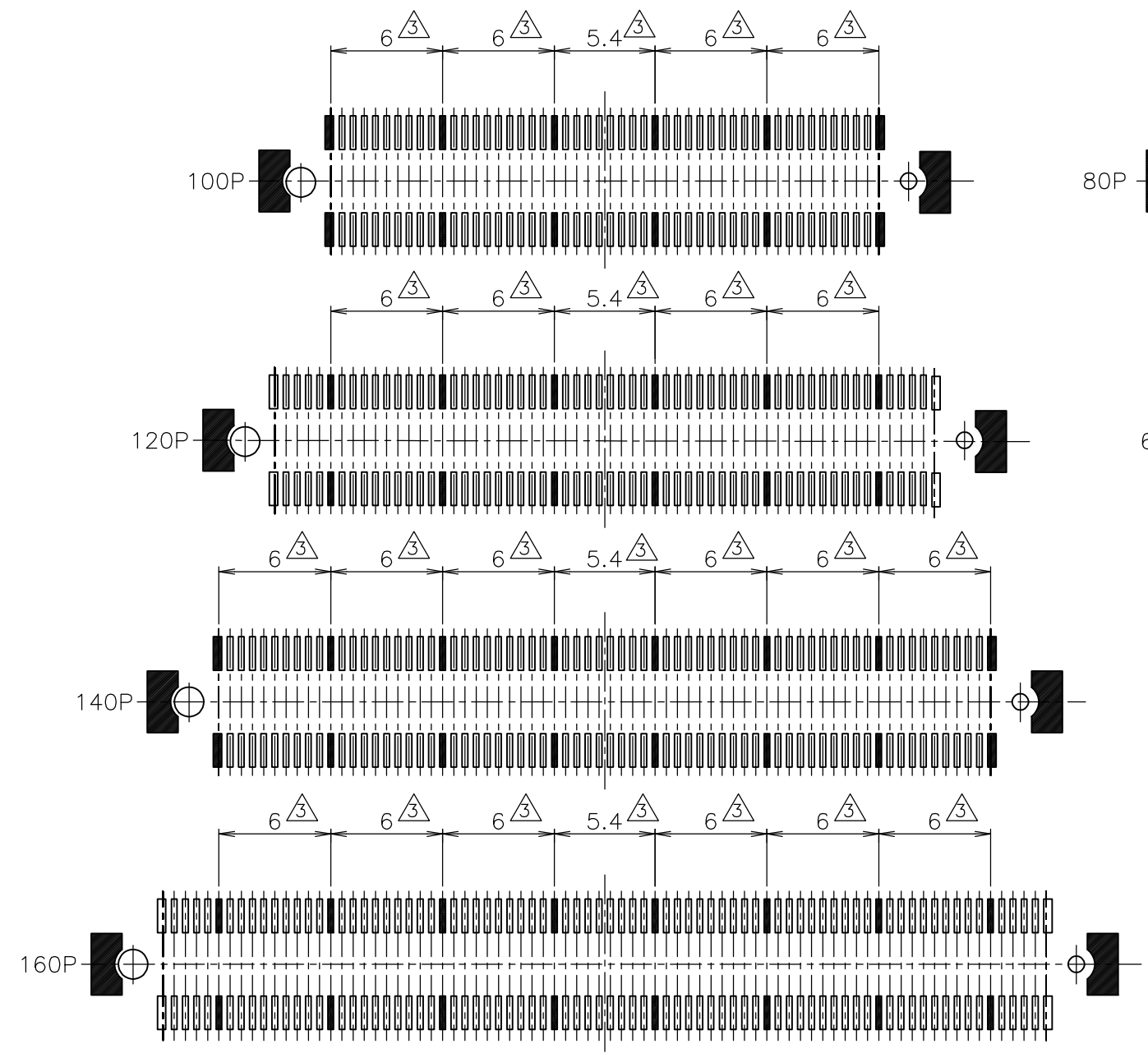
REFERENCE P.C.BOARD LAYOUT

GENERAL TOLERANCE
一般公差
 10 ≥ ±0.2
 30 ≥ >10: ±0.25
 100 ≥ >30: ±0.3
 ANGLES: ±3°

THIS DRAWING IS A CONTROLLED DOCUMENT.		DWN	Tyco Electronics Corporation Kawasaki, Japan	
DIMENSIONS: 单位: 耗 mm		CHK	NAME 名称	
TOLERANCES UNLESS OTHERWISE SPECIFIED: 一般公差		APVD	EMBOSS ASSY FH 0.6BTB CONNECTOR PLUG 8H WITH G-PLATE	
0 PLC ± - 1 PLC ± - 2 PLC ± - 3 PLC ± - 4 PLC ± - ANGLES ± -		PRODUCT SPEC 製品規格	SIZE	CAGE CODE
MATERIAL 材料		APPLICATION SPEC 取付適用規格	A3	00779
FINISH 仕上		WEIGHT	DRAWING NO 番号	RESTRICTED TO
1		G-5353188		
2		CUSTOMER DRAWING		SCALE 尺度 4:1
		SHEET 2 OF 3		REV A

THIS DRAWING IS UNPUBLISHED. RELEASED FOR PUBLICATION JUN , 1996.
 © COPYRIGHT 1996 BY TYCO ELECTRONICS CORPORATION. ALL RIGHTS RESERVED.

LOC	DIST	REVISIONS 変更					
J		P	LTR	DESCRIPTION	DATE	DWN	APVD
			-	SEE SHEET 1	-	-	-



- △ MATERIAL ; HOUSING : HIGH TEMP THERMO PLASTIC UL94V-0
CONTACT : COPPER ALLOY
- △ FINISH ; UNDER PL Ni 0.0013mm MIN ALL OVER.
CONTACT AREA 0.0002 MIN Au PL.
SOLDERING AREA 0.001 MIN TIN PL.
- △ THIS POSITION IS GROUND CIRCUIT.

GENERAL TOLERANCE
一般公差

10 ≥ ±0.2
30 ≥ >10: ±0.25
100 ≥ >30: ±0.3
ANGLES: ±3°

THIS DRAWING IS A CONTROLLED DOCUMENT.		DWN	Tyco Electronics Corporation Kawasaki, Japan		
DIMENSIONS: 単位: 耗 mm		CHK	NAME 名称		
TOLERANCES UNLESS OTHERWISE SPECIFIED: 一般公差		APVD	EMBOSS ASSY FH 0.6BTB CONNECTOR PLUG 8H WITH G-PLATE		
0 PLC ± - 1 PLC ± - 2 PLC ± - 3 PLC ± - 4 PLC ± - ANGLES ± -		PRODUCT SPEC 製品規格	SIZE	CAGE CODE	DRAWING NO 番号
MATERIAL 材料		APPLICATION SPEC 取付適用規格	A3	00779	G-5353188
FINISH 仕上		WEIGHT	RESTRICTED TO		
△ 1		CUSTOMER DRAWING		SCALE 尺度 3:1	SHEET 3 OF 3
△ 2				REV A	

X-ON Electronics

Largest Supplier of Electrical and Electronic Components

Click to view similar products for [Board to Board & Mezzanine Connectors](#) category:

Click to view products by [TE Connectivity](#) manufacturer:

Other Similar products are found below :

[10135583-642402LF](#) [89885-310LF](#) [589158040000018](#) [6-1393048-0](#) [68683-613](#) [MDF7-12DP-2.54DSA](#) [MDF7-18P-2.54DSA\(01\)](#) [MDF7-20DP-2.54DSA](#) [MDF7-26D-2.54DSA\(55\)](#) [MDF7-3P-2.54DSA\(01\)](#) [MDF7B-3P-2.54DSA\(55\)](#) [MDF7C-11P-2.54DSA\(55\)](#) [MDF7C-18P-2.54DSA\(55\)](#) [MDF7C-5P-2.54DSA\(01\)](#) [MDF7P-5P-2.54DSA\(55\)](#) [75234-0516](#) [FCN-230C068-11](#) [FCN-268F012-G/BD](#) [FCN-268F036-G/BD](#) [FCN-268M012-G/0D](#) [FCN-268M024-G/1D](#) [FCN-360C008-C](#) [FCN-360C040-C](#) [FCN-723J004/1](#) [MIS-048-01-F-D-DP-K](#) [832-10-034-10-001000](#) [93696-325LF](#) [11828-1FA](#) [AXK630345P](#) [18097-0013](#) [ICA-328STT](#) [2007042-2](#) [304400-2](#) [FCN-214Q030-G/0](#) [FCN-215Q040-G/0](#) [FCN-230C068-ESA](#) [FCN-234P048-G/0](#) [FCN-235D050-G/C](#) [FCN-360A3](#) [FCN-360C040-B](#) [210-93-314-41-105000](#) [2-22603-0](#) [379-064-521-202](#) [MDF7-12P-2.54DSA\(01\)](#) [MDF7-16P-2.54DS\(56\)](#) [MDF7-40DP-2.54DSA\(55\)](#) [MDF7-8P-2.54DSA\(55\)](#) [MDF7B-16P-2.54DSA\(55\)](#) [AXG720047](#) [5031084030](#)