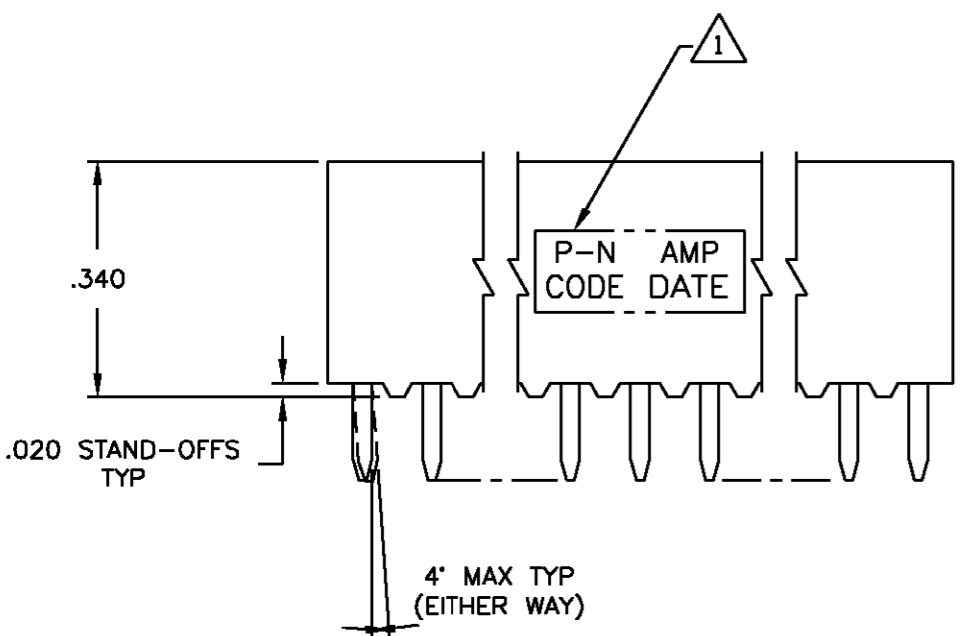
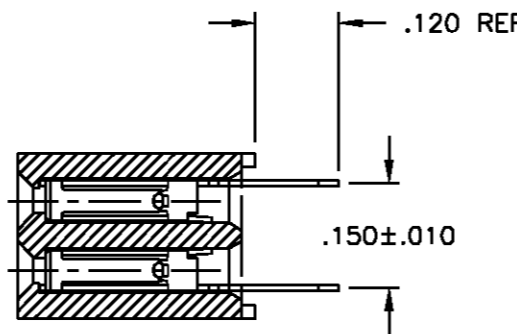
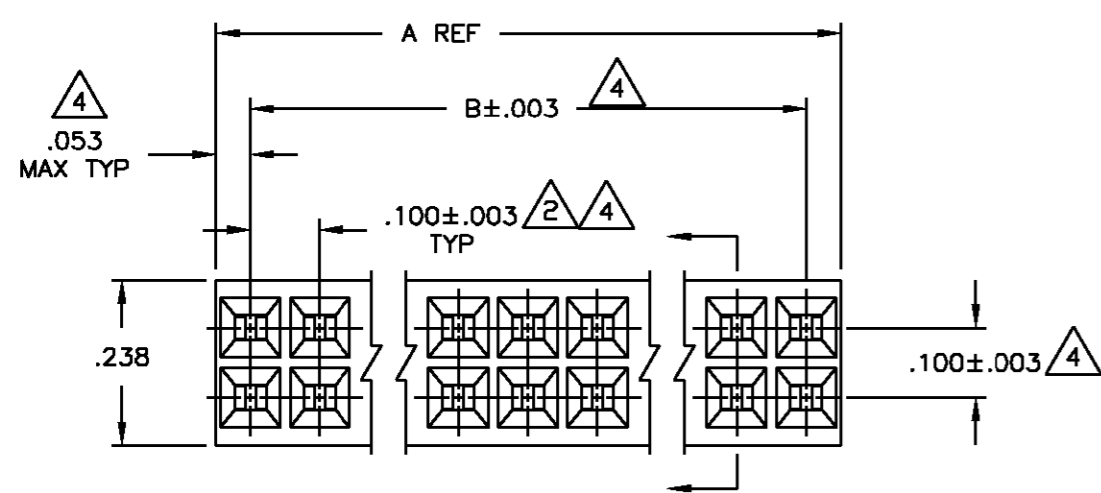
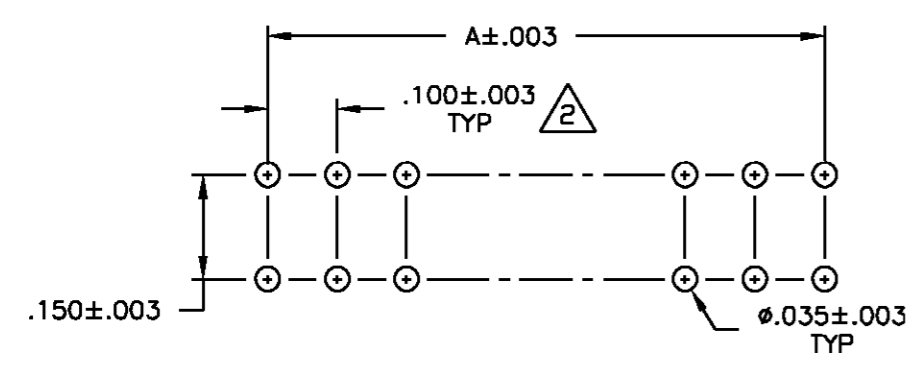


LOC	DIST	REVISIONS					
AD	39	P	LTR	DESCRIPTION	DATE	DWN	APVD
		R		REV PER 0G3C-0419-00	04OCT00	RB	JO



- 1 AMP TRADEMARK AND CSA LOGO ARE MOLDED IN. DATE CODE AND PART NUMBER ARE HOT EMBOSSED WITH 1.57 ± 0.38 [.062 ± 0.15] CHARACTERS AS PART SIZE PERMITS, THE ORDER AND LOCATION IS OPTIONAL.
- 2 TOLERANCE NON-CUMULATIVE.
- 3 DUPLEX PLATED: .000030 GOLD IN CONTACT AREA, .000050-.000100 BRIGHT TIN-LEAD ON TINES, ALL OVER .000050 NICKEL.
- 4 THESE DIMENSIONS PERTAIN TO CAVITY &'S ONLY, NOT TO CONTACT LOCATIONS.
- 5 NO MARKING ON THIS PART NUMBER.
- 6 HOUSING: FLAME RETARDANT GLASS FILLED POLYESTER - BLACK. CONTACTS: PHOS. BRONZE.

1.300	1.200	26	4-534236-1
4.000	3.900	80	4-534236-0
3.900	3.800	78	3-534236-9
3.800	3.700	76	3-534236-8
3.700	3.600	74	3-534236-7
3.600	3.500	72	3-534236-6
3.500	3.400	70	3-534236-5
3.400	3.300	68	3-534236-4
3.300	3.200	66	3-534236-3
3.200	3.100	64	3-534236-2
3.100	3.000	62	3-534236-1
3.000	2.900	60	3-534236-0
2.900	2.800	58	2-534236-9
2.800	2.700	56	2-534236-8
2.700	2.600	54	2-534236-7
2.600	2.500	52	2-534236-6
2.500	2.400	50	2-534236-5
2.400	2.300	48	2-534236-4
2.300	2.200	46	2-534236-3
2.200	2.100	44	2-534236-2
2.100	2.000	42	2-534236-1
2.000	1.900	40	2-534236-0
1.900	1.800	38	1-534236-9
1.800	1.700	36	1-534236-8
1.700	1.600	34	1-534236-7
1.600	1.500	32	1-534236-6
1.500	1.400	30	1-534236-5
1.400	1.300	28	1-534236-4
1.300	1.200	26	1-534236-3
1.200	1.100	24	1-534236-2
1.100	1.000	22	1-534236-1
1.000	.900	20	1-534236-0
.900	.800	18	534236-9
.800	.700	16	534236-8
.700	.600	14	534236-7
.600	.500	12	534236-6
.500	.400	10	534236-5
.400	.300	8	534236-4
.300	.200	6	534236-3
.200	.100	4	534236-2
.100	-	2	534236-1
A	B	NO. OF POSN	PART NO.



RECOMENDED HOLE LAYOUT

THIS DRAWING IS A CONTROLLED DOCUMENT.

DWN	R. BOLES	11-19-92
CHK	T. KINSEY	11/19/92
APVD	-	-
NAME	Tyco Electronics Corporation Harrisburg, PA 17105	
PRODUCT SPEC	108-25026	
APPLICATION SPEC	114-25018	
SIZE	A2	CAGE CODE 00779
WEIGHT	-	DRAWING NO. C-534236
CUSTOMER DRAWING		
SCALE	4:1	SHEET 1 OF 1
REV	R	

Current Brand View

AMP

[View All Tyco Electronics Brands](#)

Click to activate links to all other products

AMPMODU

.100 & .150 Centerline Receptacle Assemblies, End Stackable

AMP 534236-1 -- 1 of 1 products [Active](#) [Active](#)

(Tyco Electronics P/N: 534236-1)

	Sales Information	AMP ACES	Step Search Screen
		Related Documents	General Information
		Pricing	Product Availability

Please use the customer drawing for all design activity.

- Customer Drawing: 534236, Rev. R
Document Title: ASSEMBLY, MOD II DOUBLE ROW, .100 X .100 C/L, VERTICAL MOUNTED, CLOSED ENTRY, SHORT PT. CONTACTS

[212212.pdf](#) [212212.pdf](#) (52K)

The photographs and/or line drawings below are representative images of a product for viewing purposes only.

[Product Photo](#)

- [Home](#)
- [Part Number Search](#)
- [Text Search](#)
- [Alternate Part Search](#)
- [Multiple Part Comparison](#)
- [Alphabetical Search](#)
- [Brand Search](#)
- [Industry Product Search](#)
- [Product Type Search](#)
- [Product Family Search](#)
- [Competitor Cross Reference](#)
- [Document Number Search](#)
- [Lead Free Solutions](#)
- [Help/Glossary](#)

Searchable Features:

Brand:	AMP
No. of Positions:	2
No. of Rows:	Dual
Profile:	Standard
Mount Angle:	Vertical
Mounting Pattern (mm [in]):	2.54 x 3.81 [.100 x .150]
Contact Type:	Short Point
Military Qualification:	No
Contact Mating Area Plating:	Gold (30)
Housing Entry Style:	Top
Closed Entry:	Yes
Side Stackable:	No
High Temperature Compatible:	No
Connector Series:	Mod. II
Termination Post Length (mm [in]):	3.05 [.120]
Solder Tail Plating:	Tin-Lead over Nickel

Other Properties:

Centerline Spacing (mm [in]):	2.54 x 2.54 [.100 x .100]
Board Standoff:	With
Housing Material:	Glass-Filled Polyester
Housing Flammability Rating:	UL 94V-0
Housing Color:	Black
Contact Material:	Phosphor Bronze
Packaging Method:	Gang of Tubes
Comment:	AMP Trademark, Part Number and Date Code stamped on housing where size permits.

[Copyright](#) and [Privacy Statement](#)

Visit [Tyco International, Ltd.](#)

[Products](#) | [Brands](#) | [Industries](#) | [Customer Service](#) | [About](#) | [Home](#)

X-ON Electronics

Largest Supplier of Electrical and Electronic Components

Click to view similar products for [Headers & Wire Housings](#) category:

Click to view products by [TE Connectivity](#) manufacturer:

Other Similar products are found below :

[95000-104TRLF](#) [10135584-644402LF](#) [DF62W-EP2022PCA](#) [95000-106TRLF](#) [DF62W-2022SCA](#) [DF62W-EP2022PC](#) [2203348](#) [DF62W-2022SC](#) [1084018](#) [1029039](#) [1084017](#) [802-10-012-10-002000](#) [1112640](#) [1112639](#) [891-007-9SS-BST1T](#) [000-34000](#) [0008550134](#) [0009482033](#) [0009507031](#) [57102-F02-18ULF](#) [57102-S06-03LF](#) [57202-S52-04LF](#) [PCN6-15S-2.5E](#) [0039019024](#) [58102-G61-06LF](#) [582553-1](#) [0009485154](#) [0009508121](#) [0022285053](#) [0050291907](#) [018731A](#) [LY20-4P-DT1-P1E-BR](#) [02.125.8002.8](#) [60101931](#) [60598-1 \(Cut Strip\)](#) [M1625-3R/100](#) [61062-3](#) [61082-181009](#) [CSU011177004](#) [636-1427](#) [638009-1](#) [641938-9](#) [641991-4](#) [644168-1](#) [644827-2](#) [647662-1](#) [65039-019ELF](#) [65692-001LF](#) [65781-018](#) [65781-047](#)