



Description

The Redington Model 711/731 provides a family of compact 7 figure, AC or DC Hour Meters. Models are available in the standard industry housings, 2-Hole rectangular, flush-round and flush-rectangular. DC Models are quartz controlled for high reliability and accuracy. A choice of two rectangular panel cutouts are offered 1.45" X 0.95" [36.8mm X 24.1mm] or 1.45" X 0.87" [36.8mm X 2.1mm]. The Round meter has a panel cutout of 1.99" [50.5mm].

Features

- 7 figure, 99999.99
- Various voltage inputs
- Quartz accuracy (DC)
- Large figures, 0.14" [3.6mm]
- CE Compliant
- UL Recognized/CSA Certified for AC
- UL/cUL Recognized for DC

Options

- Special voltages
- Terminations
- Panel cutout

Specifications

Figures: 7 figures, 0.14" [3.6mm] 99999.99
Reset: Non-reset
Voltages: 24, 115 or 230VAC ($\pm 10\%$), 50 or 60 Hz 10-28VDC
Power: 2 watts AC, 0.4 watts DC
Mounting: Clip or mounting holes
Termination: 1/4" [6.3mm] spade terminals with screws (AC)
 1/4" [6.3mm] spade terminals (DC)
Accuracy: 0.01% (DC) quartz
Case Material: Black polymer
Agency Approvals: CE Compliant
 UL Recognized/CSA Certified for AC
 UL/cUL Recognized for DC
Weight: 1.2oz. [35g]

Environmental:
Front Panel: IP65
Operating Temperature: -22°F to +180°F [-30°C to +82°C]
Storage Temperature: -40°F to +185°F [-40°C to +85°C]
Vibration: 1g [10/500Hz] IEC 68-T2-34
Shock: 30g [18ms] IEC 68-T2-27
 25g [16ms] IEC 68-T2-19

Models

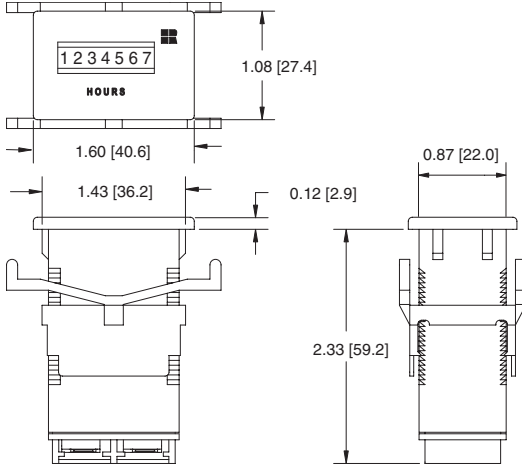
Models	Voltage AC	Mount	Panel Cut-out		
			1.45 X .87	1.45 X .95	1.99
711-0013	115VAC/60Hz	Round			X
711-0014	230VAC/60Hz	Round			X
711-0113	115VAC/60Hz	Flush Rect	X		
711-0114	24VAC/60Hz	Flush Rect.	X		
711-0120	115VAC/60Hz	Flush Rect		X	
711-0123	230VAC/60Hz	Flush Rect.		X	
711-0130	115VAC/60Hz	2-Hole	X		
711-0131	230VAC/60Hz	2-Hole	X		
711-0132	24VAC/60Hz	2-Hole	X		
711-0133	115VAC/50Hz	2-Hole	X		
711-0138	230VAC/60Hz	Flush Rect.	X		

Models	Voltage DC	Mount	Panel Cut-out		
			1.45 X .87	1.45 X .95	1.99
731-0006	10-28VDC	Round			X
731-0040	10-28VDC	2-Hole	X		
731-0041	10-28VDC	Flush Rect	X		
731-0042	10-28VDC	Flush Rect		X	
731-0051	10-28VDC	2-Hole		X	

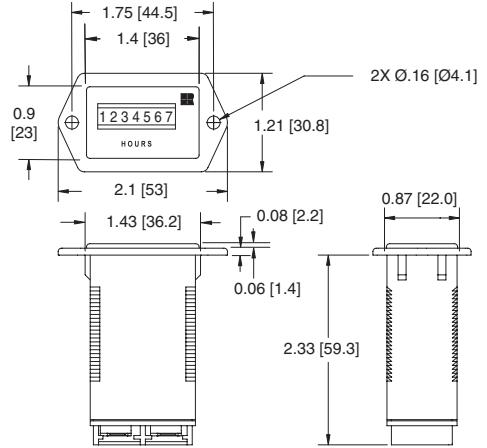
* Items in bold are normally in factory stock.



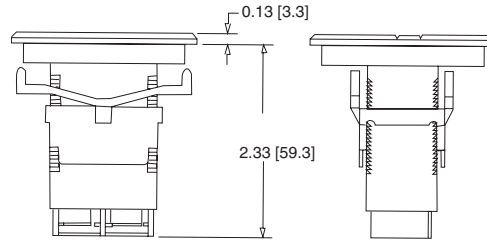
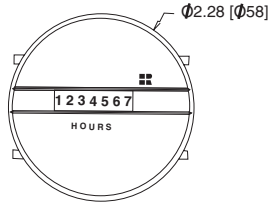
Dimensions



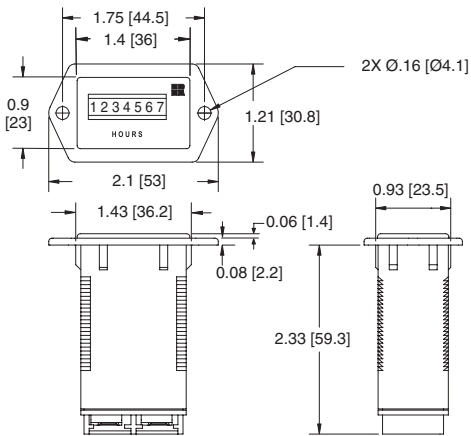
PANEL OPENING 1.45 [36.8] X 0.87 [22.1]
PANEL THICKNESS 0.50" [12.7]



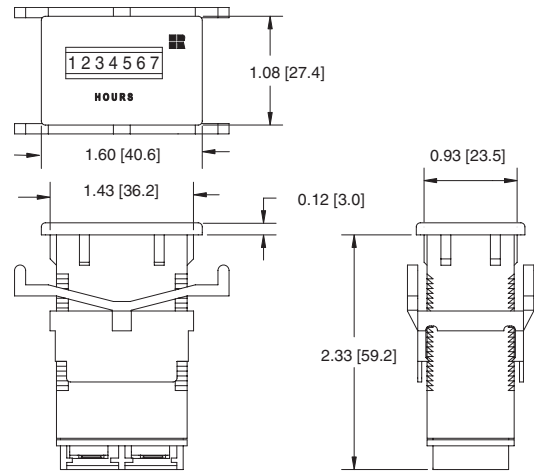
PANEL OPENING 1.45 [36.8] X 0.87 [22.1]



PANEL OPENING 1.99 [50.5] DIA



PANEL OPENING 1.45 [36.8] X 0.95 [24.1]



PANEL OPENING 1.45 [36.8] X 0.95 [24.1]
PANEL THICKNESS 0.50" [12.7]

Applications

Medical equipment



Test equipment



Office equipment





Description

These 7 figure, AC or DC hour meters with running indicators, offer crisp, distinctive styling for many panel applications. Available in square and round bezel, flush mount, or three-hole round panel mount. Each is light-weight, low power, and carry UL, CSA and CE approvals.

Features

- 7 figure, 99999.99
- Various voltage inputs
- Distinctive styling

Options

- Terminations
- Din rail
- Voltages

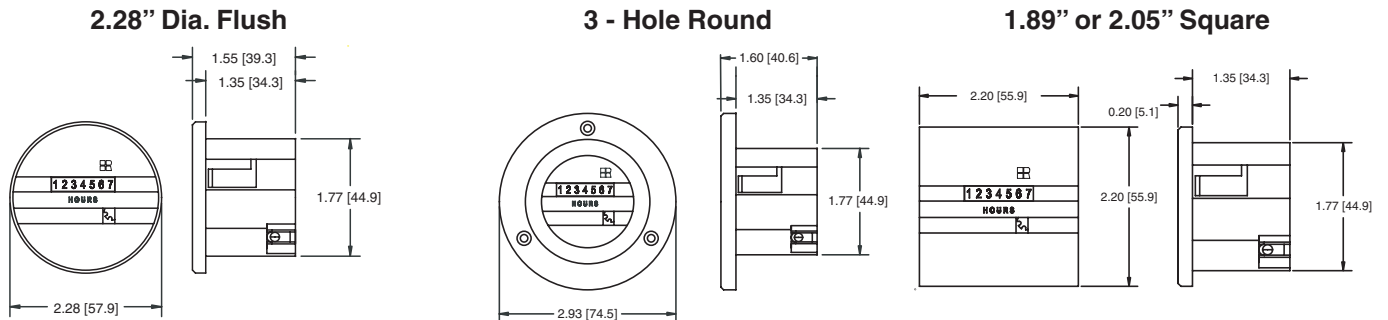
Specifications

Figures:	7 figures, 0.14" high [3.6mm], 99,999.99 hours	Mounting:	Panel (mounting hardware included)
Reset:	Non-reset	Front Panel:	IP65
Voltages:	24, 115, or 230VAC (+/-10%), 50 or 60Hz., 10-80 VDC	Temp. Range:	-22°F to +158°F [-30°C to +70°C]
Power:	3 watts (AC), 1.2 watt maximum (DC)	Approvals:	UL Recognized and CSA Certified (AC only), CE Compliant
Terminations:	1/4" [6.3mm] spade terminals, with removable screws, or 8" [203mm] wire leads	Weight:	1.6 oz. [46g]

Models	Description	Models	Description
711-0150	115VAC/60Hz, 2.28" Dia., Flush mount, screw termination	711-0182	24VAC/60Hz, 1.89" Sq., Flush mount, screw termination
711-0152	230VAC/60Hz, 2.28" Dia., Flush mount, screw termination	711-0190	115VAC/60Hz, 2.05" Sq., Flush mount, screw termination
711-0160	115VAC/60Hz, 2.93" Dia., 3-hole round, screw termination	711-0192	24VAC/60Hz, 2.05" Sq., Flush mount, screw termination
711-0162	230VAC/60Hz, 2.93" Dia., 3-hole round, screw termination	711-0193	115VAC/50Hz, 2.05" Sq., Flush mount, screw termination
711-0163	230VAC/50Hz, 2.93" Dia., 3-hole round, screw termination	711-0195	24VAC/50Hz, 2.05" Sq., Flush mount, screw termination
711-0164	24VAC/60Hz, 2.93" Dia., 3-hole round, screw termination		
711-0171	115VAC/60Hz, 2.93" Dia., 3-hole round, 8" wire leads	731-0046	10-80VDC, 2.93" Dia., 3-hole round, screw termination
711-0180	115VAC/60Hz, 1.89" Sq., Flush mount, screw termination		

* Items in bold are normally in factory stock.

Dimensions



Panel cutout: 1.99" [50] Dia. or 1.81" [46]

Panel cutout: 1.99" [50] Dia. or 1.81" [46] Sq.
Screws provided: 4-40 x 5/8" [16]
Bolt hole circle: 2.44" [62]

Panel cutout: 1.99" [50] Dia. or 1.81" [46] Sq.
(for 1.89" Sq. use 1.81" [46] Sq. cutout only)

Applications

Medical equipment



Test equipment



Office equipment





Description

A rectangular style AC hour meter designed to complement existing meters in control panels. Available in 6 figure reset or 7 figure non-reset. The non-reset model incorporates a retaining clip to lock into panel, while the reset version has a metal bracket and screw.

Features

- Large figures
- 6 or 7 digits
- UL Recognized, CSA Certified, CE Compliant

Options

- Reset or non-reset

Specifications

Figures: 6 figure (reset) or 7 figure (non-reset), 0.19" [5mm] high
 9,999.99 hours. (reset version)
 99,999.99 hours. (non-reset models)

Reset: Push-button, or non-reset

Voltages: 115VAC (+/- 10%), 50 or 60 Hz.

Power: 2 watts (nominal)

Mounting: Panel (mounting hardware included)

Termination: 19" [483mm] wire leads

Temp. Range: -4°F to +158°F [-20°C to +70°C]

Approvals: UL Recognized, CSA Certified, CE Compliant

Weight: 2 oz. [57g]

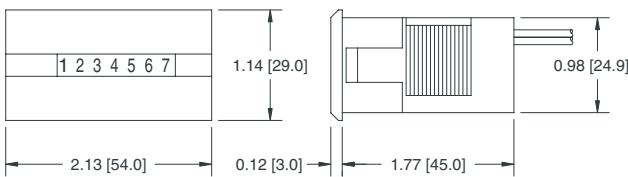
Options: Voltages

Models Description

711-0019	115VAC/60Hz, reset, 6 figure, 9,999.99 hrs., 19" [483mm] wire leads
711-0020	115VAC/60Hz, non-reset, 7 figure, 99,999.99 hrs., 19" [483mm] wire leads
711-0041	115VAC/50Hz, non-reset, 7 figure, 99,999.99 hrs., 19" [483mm] wire leads

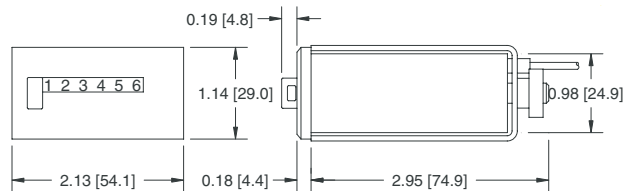
Dimensions

Non-Reset



Panel cutout: 1.98" x 0.99" [50.3 x 25.1]

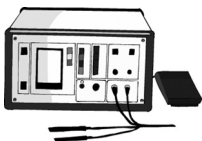
Reset



Panel cutout: 1.98" x 0.99" [50.3 x 25.1]

Applications

Medical equipment



Test equipment



Office equipment



X-ON Electronics

Largest Supplier of Electrical and Electronic Components

Click to view similar products for [redington manufacturer](#):

Other Similar products are found below :

[9415-003](#) [6320-0500-0000](#) [711-0020](#) [6300-1000-0000](#) [711-0180](#) [3400-0010](#) [P8-4904](#) [3410-3000](#) [720-6300](#) [3400-2010](#) [3400-1000](#) [1-4635](#)
[P8-4906](#) [2-1006](#) [P2-4906](#) [6301-2000-0000](#) [6300-2500-0000](#) [3410-1000](#) [6300-0500-0000](#) [6320-2000-0000](#) [711-0160](#) [6300-1500-0000](#) [6320-2500-0000](#) [722-0003](#) [3410-0000](#) [6300-0000-0000](#) [5003-011](#) [3410-2000](#) [722-0001](#)