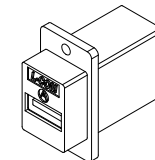
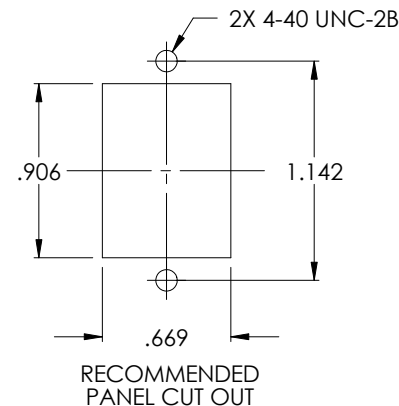
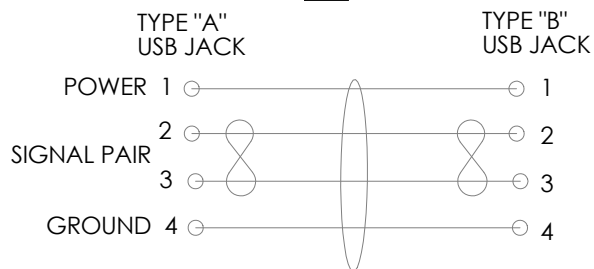
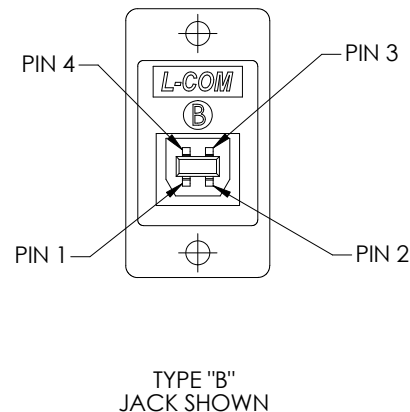
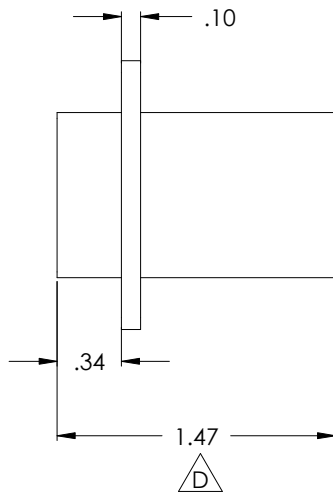
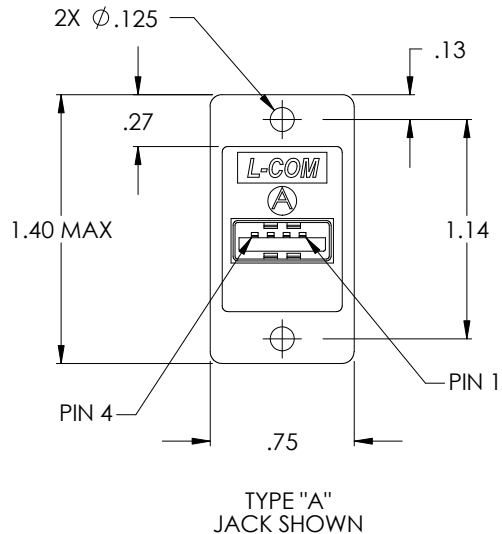


THE INFORMATION CONTAINED IN THIS DRAWING IS THE SOLE PROPERTY OF L-COM, INC. ANY REPRODUCTION IN PART OR WHOLE WITHOUT THE WRITTEN PERMISSION OF L-COM, INC. IS PROHIBITED.

REVISIONS			
REV	DESCRIPTION	DATE	APPROVED
A	RELEASED FOR PRODUCTION	05/04/01	MCCORMICK
B	ECN# 1313 PRODUCT VALIDATION, DELETED METRIC DIMENSIONS	02/27/03	DFF
C	ECN# 1605 ADDED COMPONENT SPECIFICATION TABLE	12/09/03	MCCORMICK
D	ECN#2082: CORRECTING LENGTH DIM.	05/24/05	M.LAHEY



Component Specifications	
<b>Material</b>	
Housing	ABS 94V-0 Rating
Connector	Plastic; PBT with Glass Fiber
Contact	Brass
Shell	Brass
PCB	Epoxy Glass FP-4 94V-0 Rating
<b>Finish</b>	
Housing	Color; Ivory
Contact	Gold 30 Micro Inch
Shell	Nickel
<b>Electrical</b>	
Current Rating	2 AMP Max
Voltage Rating	140 VDC
<b>Environmental</b>	
Operating Temperature	-20°C to +80°C

CS-133

UNLESS OTHERWISE SPECIFIED, DIMENSIONS ARE IN INCHES. TOLERANCES ARE:  
 X ±.1  
 XX ±.05  
 XXX ±.005  
 CABLE LENGTH TOLERANCE  
 <300" ±5% >300" ±2%

APPROVALS	DATE
DRAWN BY C.MCCORMICK	05/04/2001
CHECKED BY D.PARHAM	05/04/2001
APPROVED BY R.CARRICK	05/04/2001

CONFIGURATION DETAILS OF UNDIMENSIONED FEATURES MAY VARY

**L-com**  
CONNECTIVITY PRODUCTS  
45 BEECHWOOD DRIVE  
NORTH ANDOVER, MA  
01845

PRODUCT DESCRIPTION  
USB FEEDTHRU COUPLER

DRAWING TITLE  
OUTLINE DRAWING

SIZE	FSCM NO.	DWG. NO.	REV.
<b>A</b>	<b>43321</b>	ECF504-UAB-OD1	<b>D</b>
SCALE: NONE			SHEET 1 OF 1

CAD FILE: ECF504-UAB-OD1.SLDDRW

## X-ON Electronics

Largest Supplier of Electrical and Electronic Components

*Click to view similar products for [l-com manufacturer](#):*

Other Similar products are found below :

[FOA-550A](#) [SDRA15AG](#) [UMC-201](#) [CSMN50MF-5](#) [CSMNB15MF-15](#) [TRD815RA2BL-5](#) [CA3N050](#) [CA3A-90DA-1M](#) [U3A00003-03M](#)  
[CTLF3VGAMM-20](#) [HDCAMM-3](#) [U3A00014-03M](#) [ECF-SK-25](#) [CSMT15MF-10](#) [CSMT15MM-15](#) [CSMT15MM-25](#) [CSPL15MF-50](#)  
[CSPL25MF-25](#) [CSPL9MF-10](#) [CSPL9MF-5](#) [CSPL25MF-5](#) [CSPL25MF-2.5](#) [AL-IPEPS](#) [NB201611-10F-1](#) [TDG1026KC5-MNL](#) [NB121005-](#)  
[10F](#) [TRD855SRA6DBL-05M](#) [TRD855SRA6DBL-10M](#) [TRD855SRA7DBL-1M](#) [TRD855SRA7DBL-10M](#) [PR175SCDLCQ24](#) [TRG508-T4T-](#)  
[3M](#) [TRA5261-15F](#) [TRA5261S-1F](#) [TRA6261-1F](#) [TRA6261-10F](#) [USBBFT](#) [DGB25M](#) [CASATAL-18](#) [CSM25MM-10](#) [CSM37MF-10](#)  
[CSUSB-100](#) [CA3A-90RA-1M](#) [CA3A-90RMICB-1M](#) [U2A00003-3M](#) [U3A00003-05M](#) [U2A00008-12I](#) [U3A00056-03M](#) [U3A00007-075M](#)  
[U3A00007-1M](#)