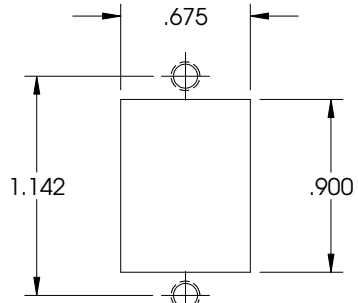


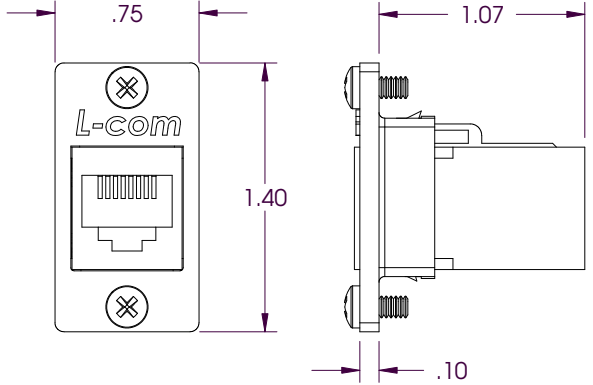
THE INFORMATION CONTAINED IN THIS DRAWING IS THE SOLE PROPERTY OF L-COM, INC. ANY REPRODUCTION IN PART OR WHOLE WITHOUT THE WRITTEN PERMISSION OF L-COM, INC. IS PROHIBITED.

REVISIONS			
REV	DESCRIPTION	DATE	APPROVED
A	INITIAL RELEASE	07/03/03	B.MAZEJKA
B	ECN #1511 - REMOVED P/Ns FROM COMPONENTS	09/19/03	B.MAZEJKA
C	ECN #1625 - ADDED COMPONENT SPECIFICATION TABLE	12/31/03	B.MAZEJKA
D	ECN#2427: ADDED KIT CONTENTS	05/30/06	D. PARHAM

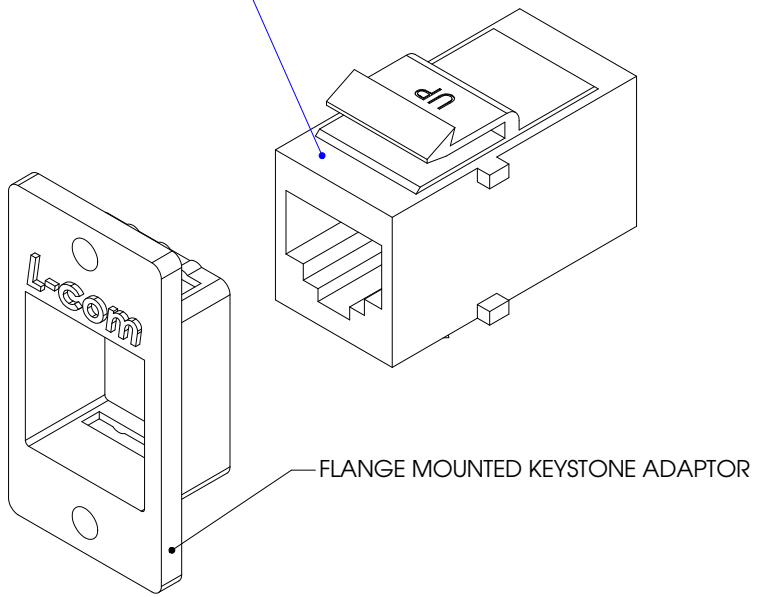


2X 4-40 UNC-2B THRU

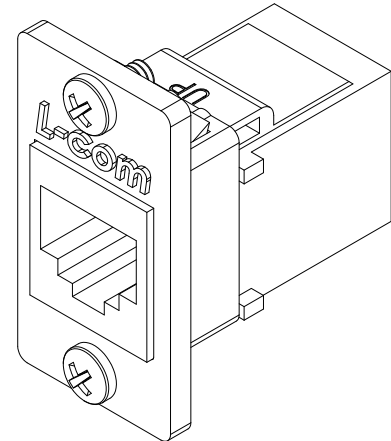
**RECOMMENDED
PANEL OPENING**



CAT 5E RJ45 COUPLER
(L-COM P/N: TDG1026KC5)



FLANGE MOUNTED KEYSTONE ADAPTOR



**KIT SHOWN FULLY ASSEMBLED FOR CLARITY
(KIT IS SHIPPED UN-ASSEMBLED)**

- △ D KIT INCLUDES:**
 1- COUPLER
 1- FLANGE ADAPTOR
 1- PACKAGE MOUNTING SCREWS (4-40x 1/4")

Component Specifications	
Material	
Flanged Adaptor	Zinc Alloy
Hardware	Stainless Steel
Finish	
Flanged Adaptor	Nickel Plate

CS-188

UNLESS OTHERWISE SPECIFIED,
DIMENSIONS ARE IN INCHES
TOLERANCES ARE:
X ±.1
.XX ±.05
.XXX ±.005
CABLE LENGTH TOLERANCE
<300' ±5% >300' ±2%

APPROVALS	DATE
DRAWN BY B.MAZEJKA	07/01/2003
CHECKED BY D.PARHAM	07/02/2003
APPROVED BY R.CARRICK	07/03/2003

CONFIGURATION DETAILS OF
UNDIMENSIONED FEATURES
MAY VARY

L-com
CONNECTIVITY PRODUCTS

45 BEECHWOOD DRIVE
NORTH ANDOVER, MA
01845

PRODUCT DESCRIPTION
KIT, PANEL COUPLER, DELUXE, CAT 5e RJ45

DRAWING TITLE
OUTLINE DRAWING

SIZE A	FSCM NO. 43321	DWG. NO. ECF504-C5-OD1	REV D
------------------	--------------------------	---------------------------	-----------------

SCALE: 1.5:1 CAD FILE: ECF504-C5-OD1.SLDDRW SHEET 1 OF 1

X-ON Electronics

Largest Supplier of Electrical and Electronic Components

Click to view similar products for [Modular Connectors / Ethernet Connectors](#) category:

Click to view products by [L-Com](#) manufacturer:

Other Similar products are found below :

[RJE231881317T](#) [MP1010RX-1000](#) [MP44RX-1000](#) [GAX-3-66](#) [GAX-8-62](#) [93606-0253](#) [GD-A-44](#) [GDCX-PA-66-50](#) [GDCX-PN-64](#) [GDCX-PN-66](#) [GDCX-PN-66-50](#) [GDLX-A-66](#) [GDLX-A-88](#) [GDLX-N-66](#) [GDLX-S-88K](#) [GDTX-S-88-50](#) [GDX-PA-1010](#) [GLX-N-1010M-BLK](#) [GLX-N-44M](#) [GLX-S-88M-BLK](#) [GMX-N-1010](#) [GMX-S-1010](#) [GMX-S-66](#) [GMX-SMT2-N-1010](#) [GMX-SMT2-N-64-50](#) [GMX-SMT2-S6-88](#) [GMX-SMT4-N-88](#) [GPX-2-64](#) [GRT1-BT1-5](#) [GSGX-N-2-88](#) [GSX-NS2-88-3.05](#) [GSX-NS2-88-3.05-50](#) [GSX-NS-88-3.05-30](#) [GSX-NS-88-3.05-50](#) [GSX-NS-88-3.68](#) [1-1775629-2](#) [GWLX-S-88-GR](#) [GWLX-S9-88-YG](#) [1300500326](#) [1300500227](#) [1300530003](#) [1300570002](#) [1324640-4](#) [RJ11FTVC2G](#) [RJ11FTVC2N](#) [RJFTVX2SA1G](#) [132764-001](#) [1400000](#) [1413176](#) [1413235](#)