

Stepper motor drivers

■ Closed loop positioning controller with encoder input, SMC135

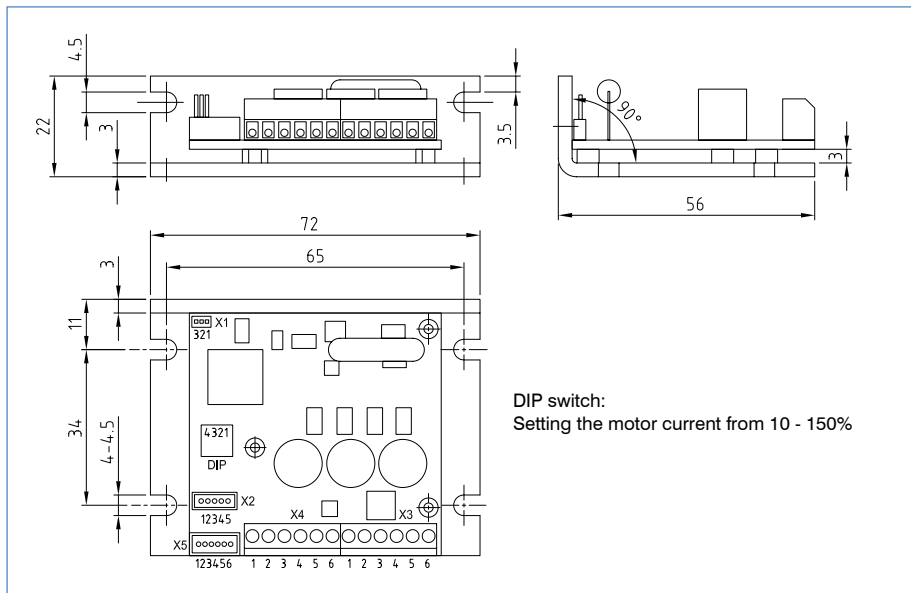


When the SMC135 is delivered, it is preconfigured to clock direction mode. Connection to the PC is not necessary. The phase current can be set in 10% steps on a DIP switch (10% = 400mA, max. 150% = 6A). The inputs for the clock, direction and enable signal are already preconfigured on the X4 connector. The step mode can only be changed via software. Full step is preset. Sinusoidal commutation, however, means extremely smooth running and very good performance of the stepper motor is already achieved in the full step.

Technical data

Operating voltage: DC 24 - 48 V
Phase current: max. 6 A
Interface: TTL-RS232 (3.3 V)
Operating mode: Position, speed, flag position, clock direction, analog, joystick
Step resolution: 1/1, 1/2, 1/4, 1/5, 1/8, 1/10, 1/32, 1/64
Step frequency: 16 kHz with a full step, corresponding multiples with a microstep (e.g. up to 1 MHz with 1/64)
Inputs: 6 digital inputs (TTL), 1 analog input +10/-10 V
Outputs: 3 digital outputs (TTL)
Position monitoring: Yes, depending on the encoder
Current reduction: Adjustable 0 - 100%
Protection circuit: Overvoltage, undervoltage and heatsink temperature > 80 °C
Temperature range: 0 to +40 °C

Outline drawing (mm)



Communication (X1)

Pin	Function*
1	GND
2	TX
3	RX

Encoder (X2) JST-ZHR 5

Pin	Function*
1	GND
2	CH-B
3	INDEX
4	CH-A
5	+5 V

Motor and supply (X3)

Pin	Function*
1	Motor coil A
2	Motor coil A\
3	Motor coil B
4	Motor coil B\
5	UB 24-48 V
6	GND

Inputs/Outputs (X4)

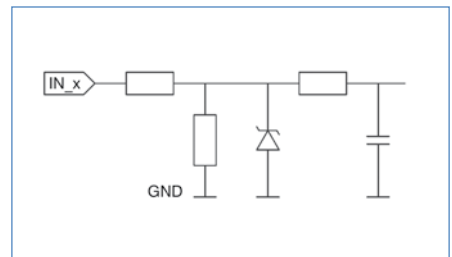
Pin	Function*	Function on delivery
1	Output 1	
2	Input 6	CLOCK
3	Input 5	DIRECTION
4	Input 4	ENABLE
5	Analog in 1	
6	GND	

Inputs/Outputs (X5) JST-ZHR 6

Pin	Function*
1	GND
2	Output 3
3	Output 2
4	Input 3
5	Input 2
6	Input 1

* from the perspective of the connected controller

Input circuits



Order number

SMC135

X-ON Electronics

Largest Supplier of Electrical and Electronic Components

Click to view similar products for [nanotec](#) manufacturer:

Other Similar products are found below :

[LSNUT-T6X2-F](#) [STF2818X0504-A](#) [SP2575M0206-A](#) [DB59C024035-A](#) [SP1518M0204-A](#) [ST5918M3008-A](#) [ST6018L3008-A](#) [ZKRS485-USB](#) [SP3575M0906-A](#) [C5-01](#) [ST2818S1006-B](#) [SMCI35](#) [ST4118L1804-A](#)