

## THE FL.SERIES RANGE, THE FIRST 12MM / 13MM PUSH BUTTON IN THE WORLD WITH A FULLY ILLUMINATED LENS.

Available in 12 mm and 13.5 mm standard mounting hole sizes, a unique high brightness full face illuminated switch and a non-illuminated version as a plug-in replacement for competitor products.

Designed and manufactured in France with IP67 sealing and rugged PA6.6 polyamide construction the FL.series has superb tactile feedback and vibrant single or bi-colour multi-LED illumination.

### MECHANICAL

Total travel	2 mm ±0.3mm
Operating force	5 N ±30%
Panel thickness	1 - 6 mm (max)
Terminal type	Plug-in terminal 2.8 x 0.5 mm
Switching action	Momentary
Torque	0.3 Nm
Mechanical Life (CEI 60542-5 9b)	1,000,000 cycles (max)

### ELECTRICAL

Dielectric strength	2500 VAC
Insulation resistance (CEI 60512-2 3a)	1GΩ
Contact resistance (CEI 60512-2 2a)	< 50mΩ (max)
Travel contact	1.2 mm ±0.3mm
Electrical Life (CEI 60542-5 9a)	500,000 cycles
Current rating (typical) (CEI 60542-5 10a)	400mA at 32 VAC resistive 100mA at 50 VDC resistive 125mA at 125 VAC resistive
Weld at the soldering iron:	300°C max. for 3 seconds

### LIGHTING

Voltage	5V
<i>It is possible to lower the voltage until 2.7V «min» to lower the luminous intensity.</i>	
Current LED	65 mA (max)

### ENVIRONMENTAL

IK impact resistance. (EN 50102)	IK6 (front face)
Ingress protection (DIN EN IEC60529)	IP67 (front face)
Operating temperature (CEI 60512-6)	-40°C to +85°C
Storage temperature (CEI 60512-6)	-40°C to +105°C
Saline mist	48 hours
Cyclic temperature / humidity test «ZIAD» (CEI 6068-2-38)	240 hours (cycles of -10°C in 65°C / 93% humidity)



### PART NUMBERS

#### NON-ILLUMINATED

Ø13.5	Ø12	Cap
FL13NN	FL12NN	Black
FL13NB	FL12NB	Blue
FL13NG	FL12NG	Green
FL13NO	FL12NO	Orange
FL13NR	FL12NR	Red
FL13NW	FL12NW	White
FL13NY	FL12NY	Yellow

#### ILLUMINATED

Ø13.5	Ø12	Cap
FL13LB5	FL12LB5	Blue
FL13LG5	FL12LG5	Green
FL13LO5	FL12LO5	Orange
FL13LR5	FL12LR5	Red
FL13LW5	FL12LW5	White
FL13LY5	FL12LY5	Yellow

#### DUAL-COLOR ILLUMINATED

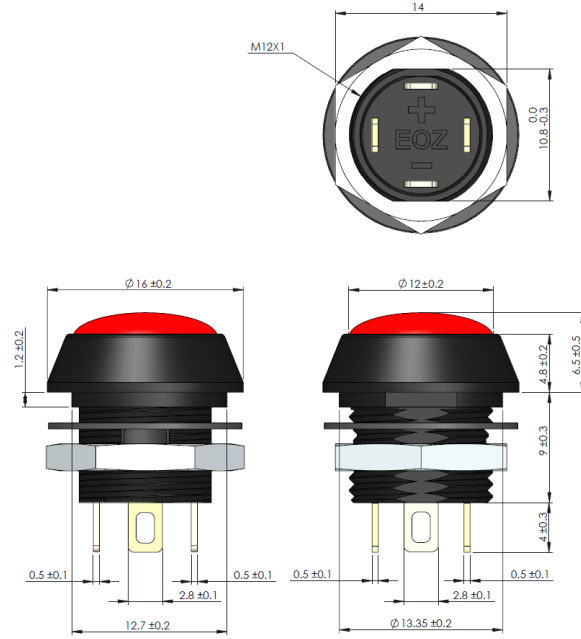
Ø13.5	Ø12	Cap	Illumination color
FL13DGB5	FL12DGB5	Milky white	Blue or Green*
FL13DRB5	FL12DRB5	Milky white	Blue or Red*
FL13DRG5	FL12DRG5	Milky white	Green or Red*

\*INVERTED POLARITY

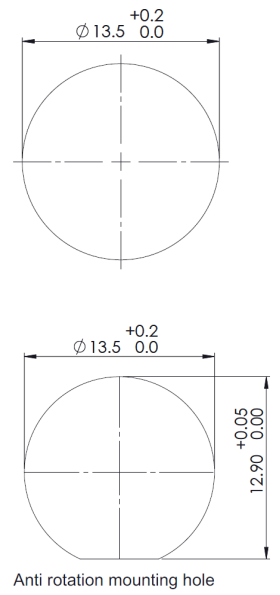
### MATERIALS

Body	PA 6.6
Button	PC
Contacts	Gold plated nickel
Contacts terminals	Gold plated nickel
LED terminals	Silver plated nickel

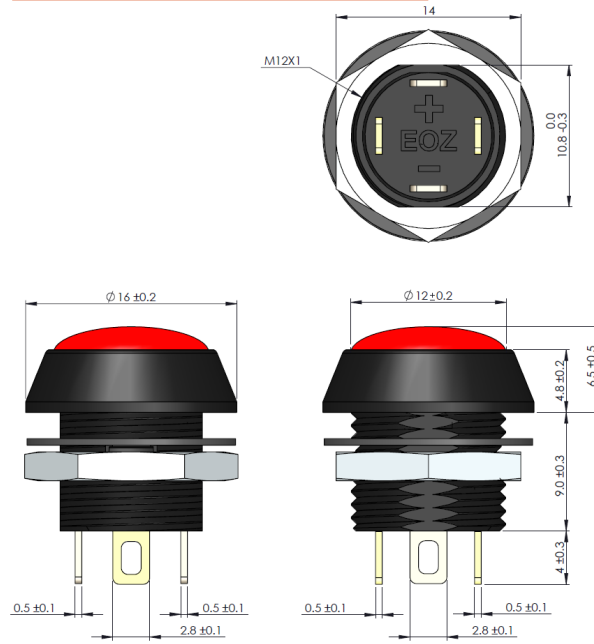
### Ø13.5mm PRODUCT DRAWINGS



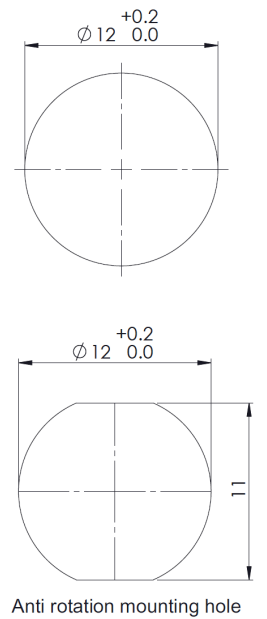
### PANEL CUT OUT



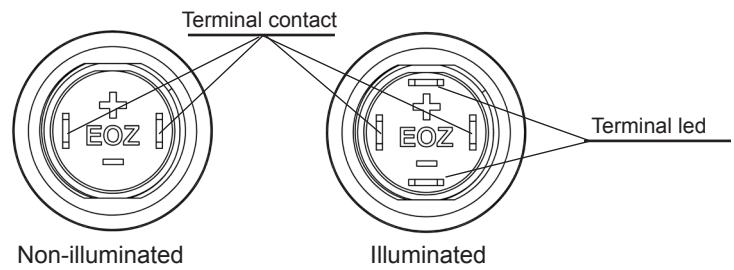
### Ø12mm PRODUCT DRAWINGS



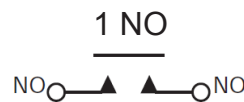
### PANEL CUT OUT



Terminal version:



### DIAGRAM



## **X-ON Electronics**

Largest Supplier of Electrical and Electronic Components

*Click to view similar products for [eoz manufacturer](#):*

Other Similar products are found below :

[FL13LW5](#) [FL13NB](#) [FL13NN](#) [FL12LB5](#) [FL13NR](#) [18.17283.22](#) [FL12NO](#) [FL12DRB5](#) [FL13LB5](#) [FL13NO](#) [FL13LO5](#) [20.17292.21](#) [FL12NG](#)  
[FL13LG5](#) [FL13NY](#) [FL12NY](#) [FL12LO5](#) [FL13NW](#) [20.17804.02](#) [FL13NG](#) [FL12LR5](#) [09.400BP.04](#) [ECO.16250.06](#) [09-03290.01](#) [09.10000.03](#)  
[09.10201.02](#) [09.03201.02](#)